

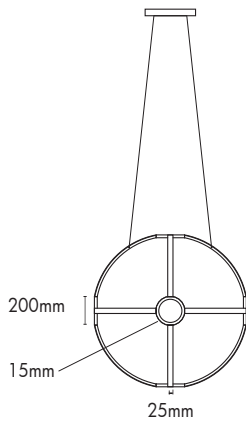


# INSTALLATION MANUAL

## O N A

'Ethereal Orb'

### O N A 100

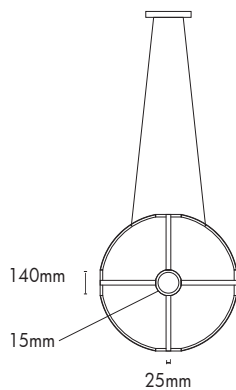


Type	Suspension light
Material	Solid brass
Environment	Indoors
Dimensions	Ø 1070 mm
Cable Length	2000 mm
Weight	9 kg
Certification	IP20 CE
Lamping	LED technology, 24 V*, Warm White 2500 K, 15620 lm, Energy Class A
LED Watt	190 W

020 01 202 11

Brushed brass with transparent cable

### O N A 70



Type	Suspension light
Material	Solid brass
Environment	Indoors
Dimensions	Ø 750 mm
Cable Length	2000 mm
Weight	7 kg
Certification	IP20 CE
Lamping	LED technology, 24 V*, Warm White 2500 K, 1100 lm, Energy Class A
LED Watt	130 W

020 02 202 11

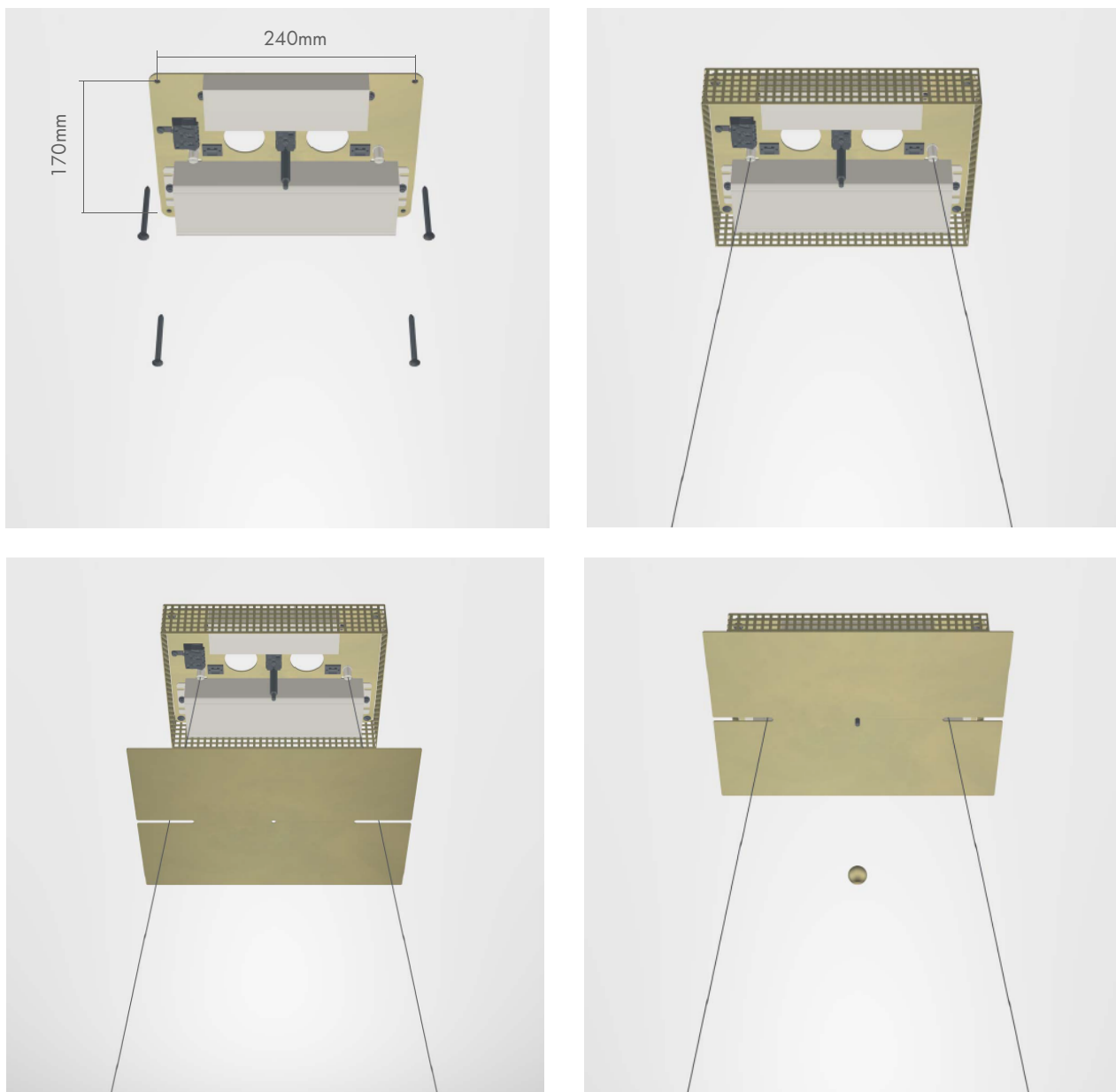
Brushed brass with transparent cable

## INSTALLATION

Before commencing installation ensure the relevant mains supply has been safely isolated/disconnected. Installation should be carried out by a qualified electrician.

Ensure all electrical connections are tight with no loose strands, including factory made connections.

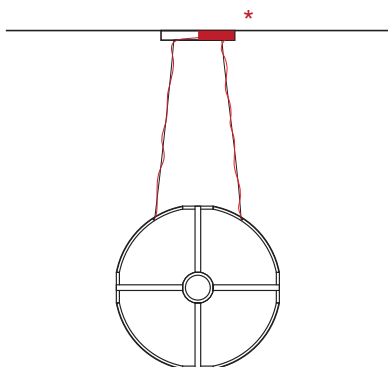
The Mains power must only be switched on once the fitting has been electrically connected to the driver.



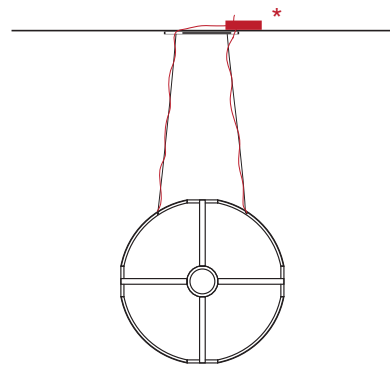
1. Fix the base plate to the mounting surface using 4 No. 4mm screws. Ensure the fixing points can support the weight of the fixture. Distance between fixing holes - 170mm and 240mm.
2. Connect the unit to the mains. Please refer to Dimmer Unit installation manual if you connect the fitting to the dimming system.
3. Place and fix the outer ring.
4. Suspend the wire by passing through the clutch to the required length.
5. Fix the top plate.

---

## O N A Mounting Options



Ceiling Rose  
square 232 x 300 x 52 mm



Ceiling Rose  
square 232 x 300 x 52 mm

\*Power supply location

---

## CARE INSTRUCTIONS

1. Use a soft dry cloth to ensure a fingerprint free surface. We recommend the use of micro fibre cloths.
2. Warning: do not use alcohol or other solvents for cleaning.

---

## DIMMING OPTIONS

Dimming options are available on request (DMX, 1-10 V, Dali, PushDim, RemoteControl). Lighting control system specifications should be clarified before placing the order.

---

\* Please contact [sales@kaia.at](mailto:sales@kaia.at) for further information on dimmers, transformers etc. Please note KAIA Ltd cannot take any responsibility for the connection with your dimming or central control system. It is the customer's responsibility to ensure the compatibility with their systems.