



# INSTALLATION MANUAL

## L U M

'Shadows of a star'

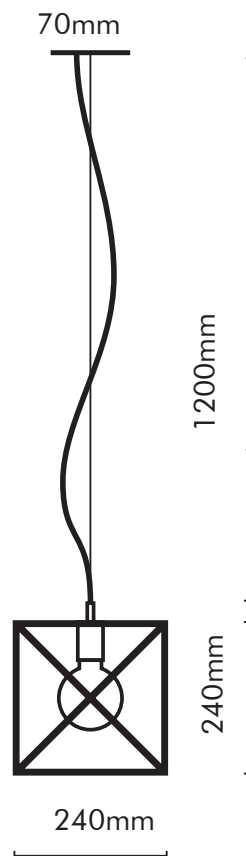
L U M  
Suspension

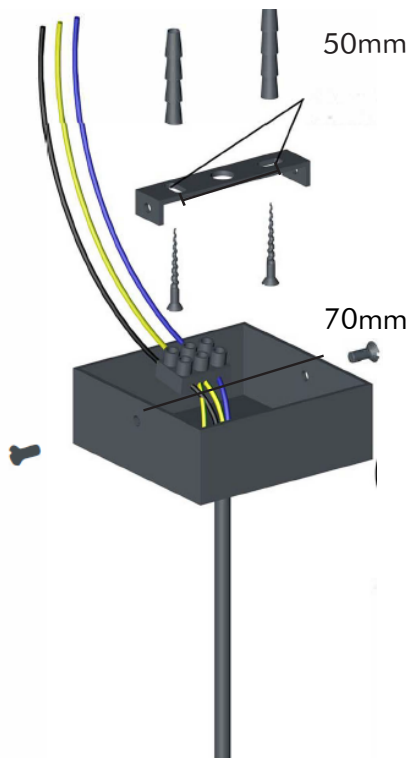


Type	Suspension light
Material	Solid brass
Environment	Indoors
Cable Length	1500 mm
Dimensions	240 x 240 mm
Weight	1 kg
Certification	IP20 CE
EU/UK	230 V
Ceiling Rose	square 70 x 70 x 30 mm
Lamps	Spherical globe light lamp, Ø 125 or 95 mm, E27, 42 W, 2900 K, 2000 + hours, dimnable, 630 lm, energy class C

100 01 101 11  
100 01 202 12

polished nickel with transparent cable  
brushed brass with black fabric cable





## INSTALLATION

Before commencing installation ensure the relevant mains supply has been safely isolated/disconnected .

Installation should be carried out by a qualified electrician.

Ensure all electrical connections are tight with no loose strands, including factory made connections.

The Mains power must only be switched on once the fitting has been electrically connected to the driver.

1. Remove the base from the installation bracket.
2. Affix the bracket to the ceiling with 2 screws (hole size max. 4.5 mm, 50 mm apart)
3. Connect the unit to the mains.
4. Fix the unit back on its base and re-tighten 2 screws on the side.

## CARE INSTRUCTIONS

1. Use a soft dry cloth to ensure a fingerprint free surface. We recommend the use of micro fibre cloths.
2. Warning: do not use alcohol or other solvents for cleaning.

\* Please contact [sales@kaia.at](mailto:sales@kaia.at) for further information on dimmers etc. Please note KAIA Ltd cannot take any responsibility for the connection with your dimming or central control system. It is the customer's responsibility to ensure the compatibility with their systems.

[www.kaia.at](http://www.kaia.at)

[sales@kaia.at](mailto:sales@kaia.at)