

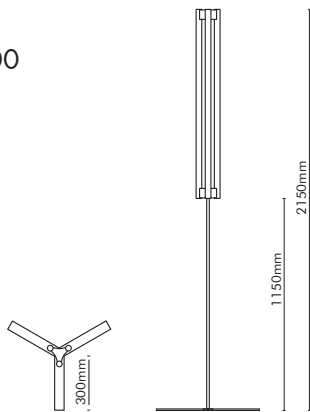


INSTALLATION MANUAL

L I A

'Cutting through darkness'

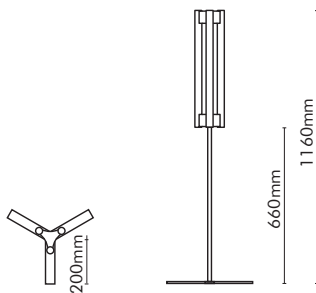
L I A
Floor 100



Type	Floor light
Material	Brass
Environment	Indoors
Dimension	2150 mm
Cable Length	1500 mm
Weight	2.3 kg
Certification	IP20 CE
EU/UK	230 V
Ceiling Rose	3 x linear opal LED S14s*, 3 x 16.5 W, 2700
Lamps	K, dimmable, 3 x 1000 lm, energy class A

050 06 101 11 polished nickel with transparent cable
 050 06 202 12 brushed brass with black fabric cable

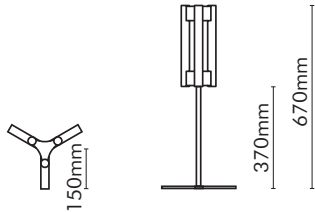
L I A
Floor 50



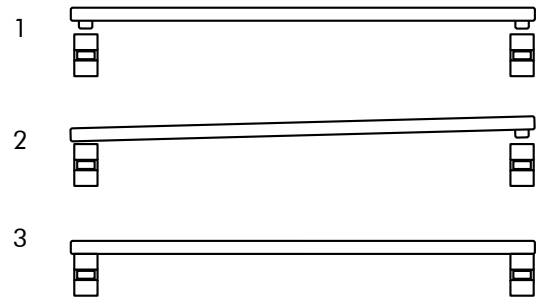
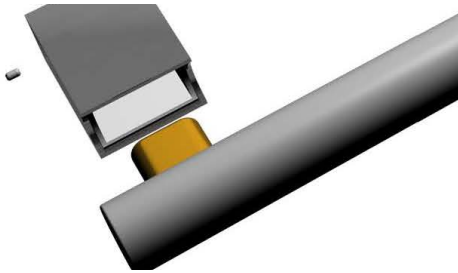
Type	Floor light
Material	Brass
Environment	Indoors
Dimension	1160 mm
Cable Length	1500 mm
Weight	1.6kg
Certification	IP20 CE
EU/UK	230 V
Ceiling Rose	3 x linear opal LED S14s*, 3 x 9 W, 2700 K,
Lamps	dimmable, 3 x 450 lm, energy class A

050 07 101 11 polished nickel with transparent cable
 050 07 202 12 brushed brass with black fabric cable

L I A
Table 30



Type	Floor light
Material	Brass
Environment	Indoors
Dimension	670 mm
Cable Length	1500 mm
Weight	1.2 kg
Certification	IP20 CE
EU/UK	230 V
Lamps	3 x linear opal LED S14s*, 3 x 6 W, 2700K, dimmable, 3 x 250 lm, energy class A
050 08 101 11	polished nickel with transparent cable
050 08 202 12	brushed brass with black fabric cable



LAMP INSTALLATION

1. Before commencing installation ensure the relevant mains supply has been safely isolated/disconnected.
2. Use supplied fabric gloves to prevent any stains on the surface.
3. Whilst applying pressure push each socket into the lamp holder one at a time (see graphic).
4. Due to the risk of glass fracture handle the lamps with care!

Under unfavourable conditions these lamps can lead to acoustic noise. In case of resonance even low noise can cause audible effect. The installation as well as the dimmer or the transformer (harmonics or electronic resonance) are possible influencing factors.

CARE INSTRUCTIONS

1. Use a soft dry cloth to ensure a fingerprint free surface. We recommend the use of micro fibre cloths.
2. Warning: do not use alcohol or other solvents for cleaning.

* Please contact sales@kaia.at for further information on dimmers etc. Please note KAIA Ltd cannot take any responsibility for the connection with your dimming or central control system. It is the customer's responsibility to ensure the compatibility with their systems.

www.kaia.at

sales@kaia.at