

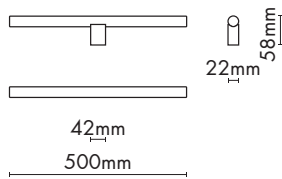


# INSTALLATION MANUAL

## NEA

'Line of light'

NEA  
Wall / Ceiling  
50

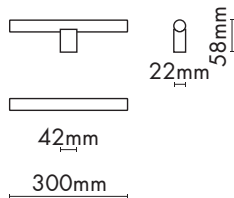


Type	Wall/ceiling light
Material	Solid brass
Environment	Indoors
Dimensions	500 x 58 mm
Weight	0.3 kg
Certification	IP20 CE
Bathroom	Zone 3
EU/UK	230 V
Lamps	Linear copal LED S14d*, 9 W, 2700 K, dimmable, opal 450 lm, energy class A

039 01 101  
039 01 202

Polished nickel  
Brushed brass

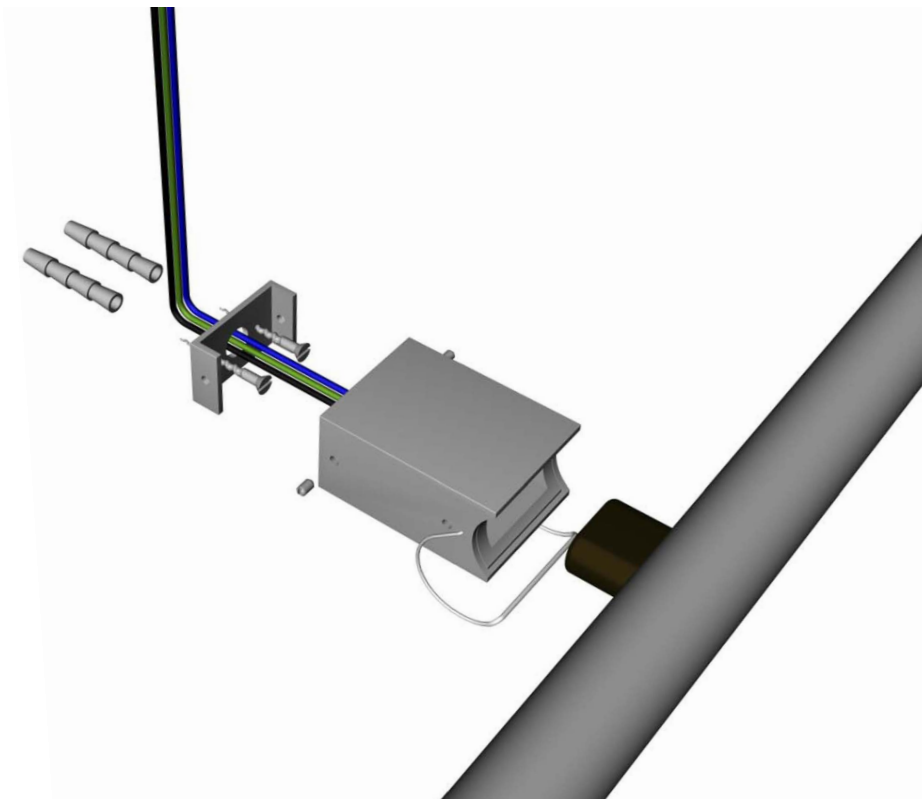
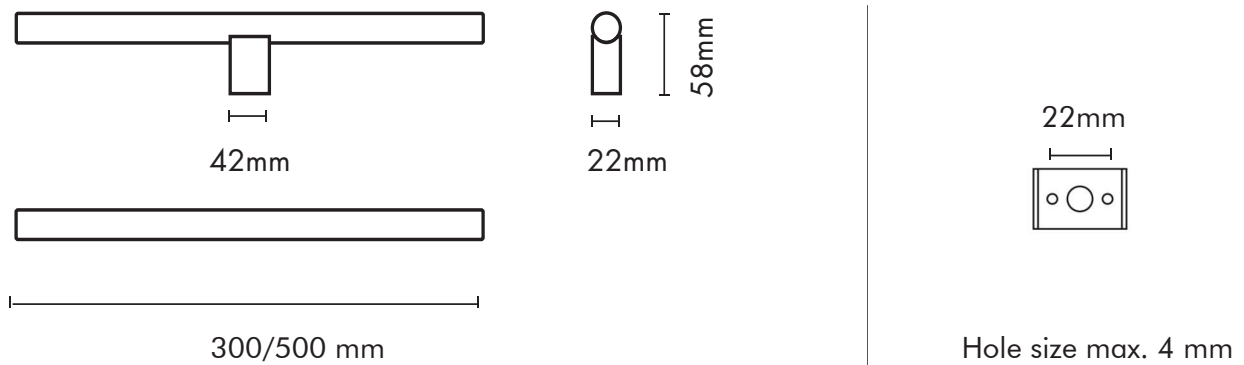
NEA  
Wall / Ceiling  
30



Type	Wall/ceiling light
Material	Solid brass
Environment	Indoors
Dimensions	300 x 58 mm
Weight	0.3 kg
Certification	IP20 CE
Bathroom	Zone 3
EU/UK	230 V
Lamps	Linear opal LED S14d*, 6 W, 2700K, dimmable, opal 250 lm, energy class A

039 02 101  
039 02 202

Polished nickel  
Brushed brass

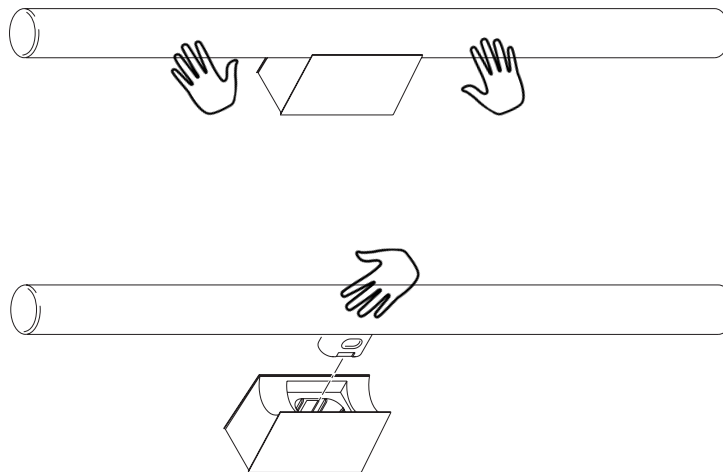


## INSTALLATION

Before commencing installation ensure the relevant mains supply has been safely isolated/disconnected . Installation should be carried out by a qualified electrician.

Ensure all electrical connections are tight with no loose strands, including factory made connections. The Mains power must only be switched on once the fitting has been electrically connected to the driver.

1. Remove the base from the installation bracket.
2. Affix the bracket to the ceiling with 2 screws (hole size max. 4 mm) .
3. Connect the unit to the mains.
4. Fix the unit back on its base and re-tighten 2 screws on the side.



## LAMP INSTALLATION

1. Before commencing installation ensure the relevant mains supply has been safely isolated/disconnected.
2. Use supplied fabric gloves to prevent any stains on the surface of the lamp.
3. Whilst applying pressure push the socket into the lamp holder in the marked place. Remove the lamp from the lamp holder carefully with both hands (see graphic).
4. Due to risk of glass fracture handle the lamp with care!

Under unfavourable conditions these lamps can lead to acoustic noise. In case of resonance even low noise can cause audible effect. The installation as well as the dimmer or the transformer (harmonics or electronic resonance) are possible influencing factors.

## CARE INSTRUCTIONS

1. Use a soft dry cloth to ensure a fingerprint free surface. We recommend the use of micro fibre cloths.
2. Warning: do not use alcohol or other solvents for cleaning.

\* Please contact [sales@kaia.at](mailto:sales@kaia.at) for further information on dimmers etc. Please note KAIA Ltd cannot take any responsibility for the connection with your dimming or central control system. It is the customer's responsibility to ensure the compatibility with their systems.

[www.kaia.at](http://www.kaia.at)

[sales@kaia.at](mailto:sales@kaia.at)