



# INSTALLATION MANUAL

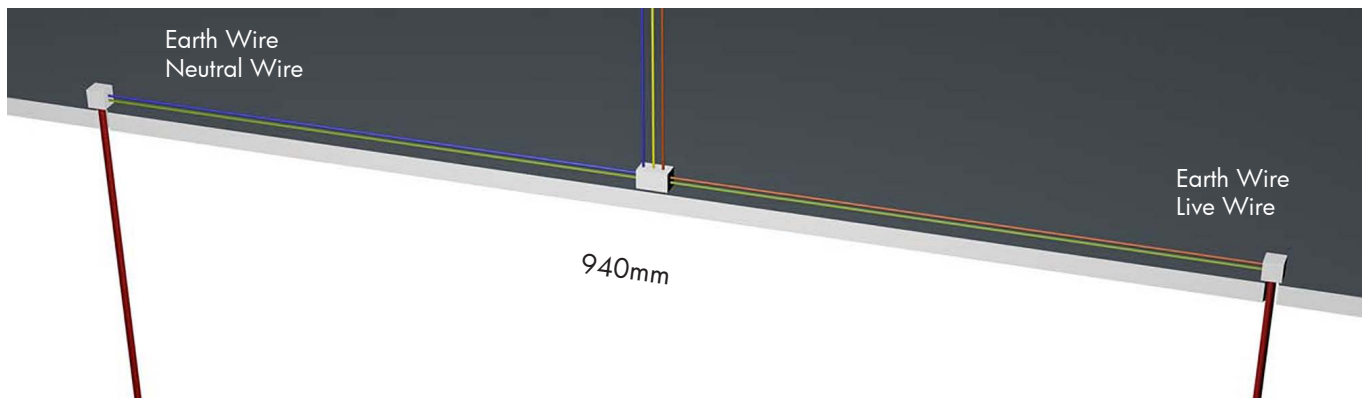
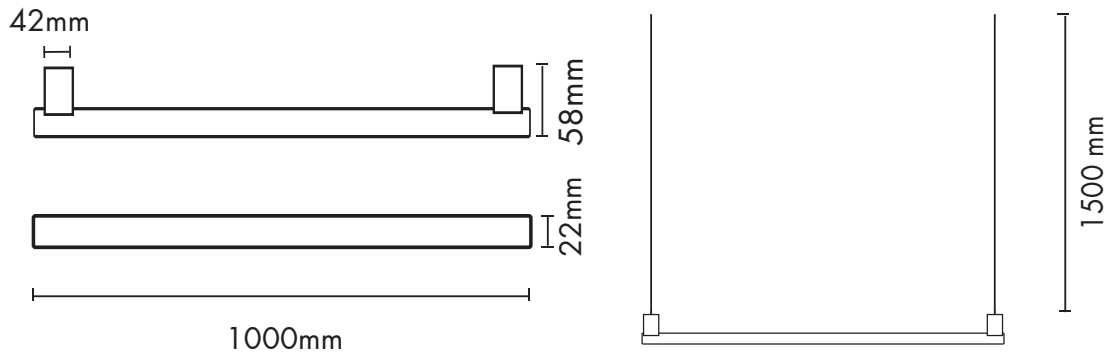
## M E A

'Line of light'

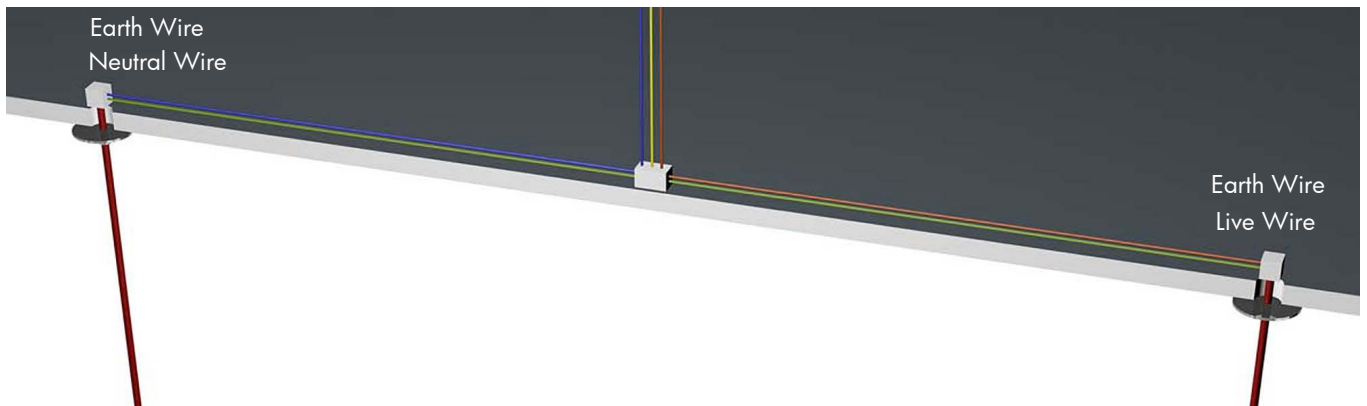
---

M E A  
Suspension 100

Type	Suspension light
Material	Solid brass
Environment	Indoors
Cable Length	1500 mm each (without loop) 1000 mm each (with loop)
Dimensions	1000 x 57 mm
Weight	1.1kg
Certification	IP20 CE
EU/UK	230 V
Ceiling Rose	2 x round flat Ø 60 mm
Lamps	Linear opal LED S14s*, 16.5W, 2700 K, dimmable, 1000 lm, energy class A
040 01 101 15	Polished nickel with dark green fabric cable
040 01 202 12	Brushed brass with black fabric cable



Option 1

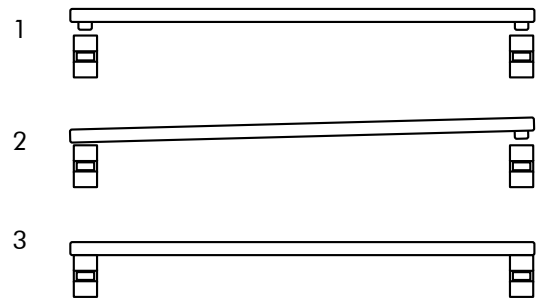
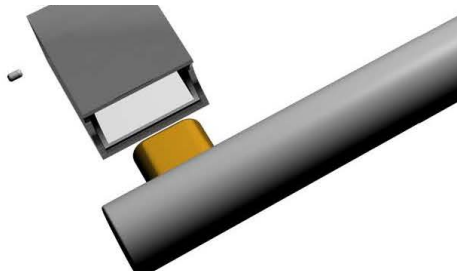


Option 2

INSTALLATION

Before commencing installation ensure the relevant mains supply has been safely isolated/disconnected . Installation should be carried out by a qualified electrician.  
 Ensure all electrical connections are tight with no loose strands, including factory made connections. The Mains power must only be switched on once the fitting has been electrically connected to the driver.

1. OPTION 1. Prepare a 6 mm openings in the ceiling (distance between the points 940mm) . Feed the cable through the hole. Make the connections, please ensure that both Earth Wires are connected.
2. OPTION 2. Prepare a 6 mm openings in the ceiling (distance between the points 940mm ) . Fix the ceiling rose. Feed the cable through the hole. Make the connections, please ensure that both Earth Wires are connected.



## LAMP INSTALLATION

1. Before commencing installation ensure the relevant mains supply has been safely isolated/disconnected.
2. Use supplied fabric gloves to prevent any stains on the surface.
3. Whilst applying pressure push each socket into the lamp holder one at a time (see graphic).
4. Due to risk of glass fracture handle the lamp with care

Under unfavourable conditions these lamps can lead to acoustic noise. In case of resonance even low noise can cause audible effect. The installation as well as the dimmer or the transformer (harmonics or electronic resonance) are possible influencing factors.

## CARE INSTRUCTIONS

1. Use a soft dry cloth to ensure a fingerprint free surface. We recommend the use of micro fibre cloths.
2. Warning: do not use alcohol or other solvents for cleaning.

\* Please contact [sales@kaia.at](mailto:sales@kaia.at) for further information on dimmers etc. Please note KAIA Ltd cannot take any responsibility for the connection with your dimming or central control system. It is the customer's responsibility to ensure the compatibility with their systems.

[www.kaia.at](http://www.kaia.at)

[sales@kaia.at](mailto:sales@kaia.at)