

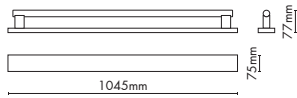


INSTALLATION MANUAL

M E A

'Line of light'

M E A
Wall Base /
Ceiling 100

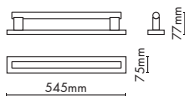


Type	Ceiling/wall light
Material	Solid brass
Environment	Indoors
Dimensions	1045 x 75 x 77 mm
Weight	1.6kg
Certification	IP20 CE
EU/UK	230 V
Bathroom	Zone 3
Lamps	Linear opal LED S14s*, 16.5W, 2700 K, dimmable, 1000 lm, energy class A

040 08 101

Polished nickel

M E A
Wall Base /
Ceiling 50

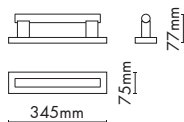


Type	Ceiling/wall light
Material	Solid brass
Environment	Indoors
Dimensions	545 x 75 x 77 mm
Weight	0.6 kg
Certification	IP20 CE
EU/UK	230 V
Bathroom	Zone 3
Lamps	Linear opal LED S14s*, 9 W, 2700 K, dimmable, 450 lm , energy class A

040 09 101

Polished nickel

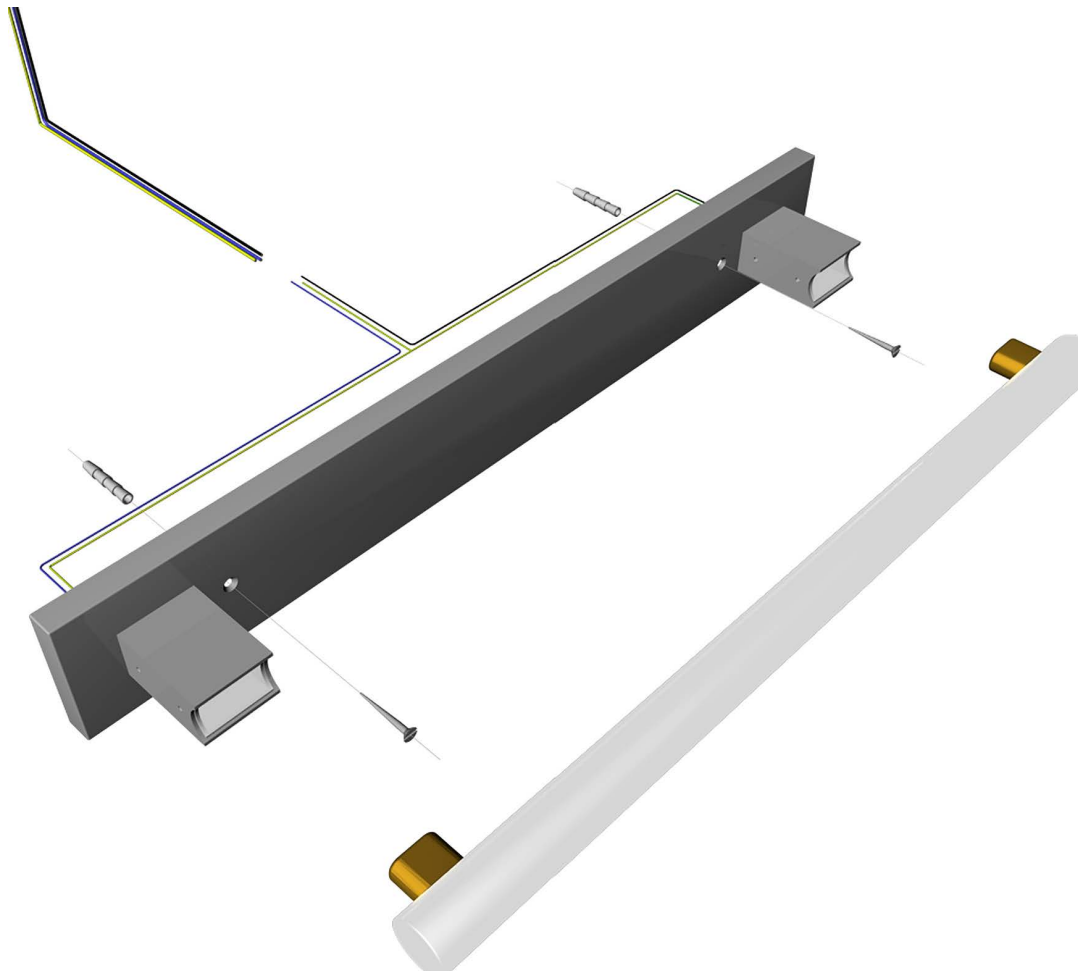
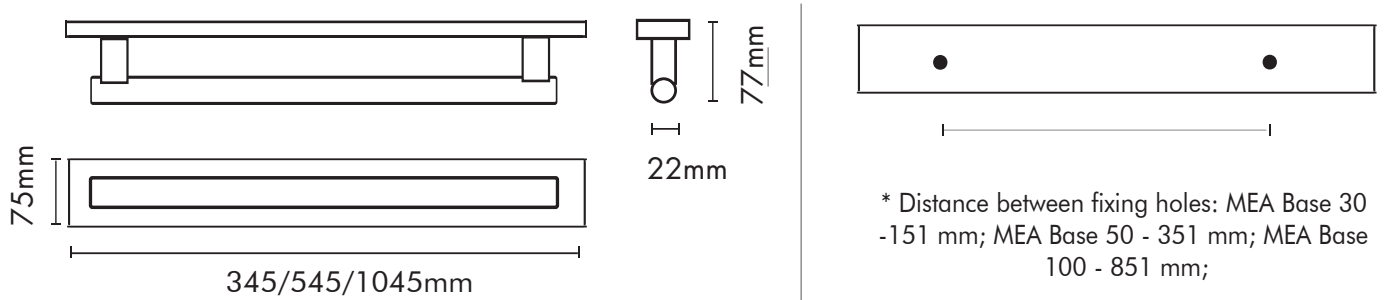
M E A
Wall Base /
Ceiling 30



Type	Ceiling/wall light
Material	Solid brass
Environment	Indoors
Dimensions	345 x 75 x 77 mm
Weight	0.6 kg
Certification	IP20 CE
EU/UK	230 V
Bathroom	Zone 3
Lamps	Linear opal LED S14s*, 6 W, 2700 K, dimmable, opal 250 lm, energy class A

050 10 101

Polished nickel

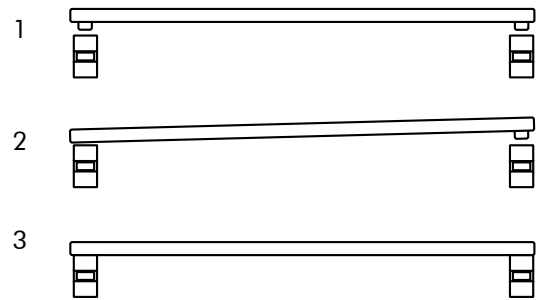
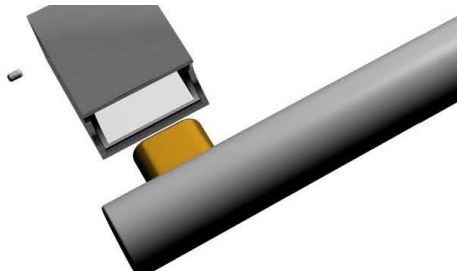


INSTALLATION

Before commencing installation ensure the relevant mains supply has been safely isolated/disconnected . Installation should be carried out by a qualified electrician.

Ensure all electrical connections are tight with no loose strands, including factory made connections. The Mains power must only be switch on once the fitting has been electrically connected to the driver.

1. Remove the base from the installation bracket.
2. Affix the bracket to the ceilings with 2 screws (hole size max. 4 mm). Distance between fixing holes: MEA Base 30 - 151 mm; MEA Base 50 - 351 mm; MEA Base 100 - 851 mm;
3. Connect the unit to the mains.
4. Fix the unit back on its base and re-tighten 2 screws on the side.



LAMP INSTALLATION

1. Before commencing installation ensure the relevant mains supply has been safely isolated/disconnected.
2. Use supplied fabric gloves to prevent any stains on the surface.
3. Whilst applying pressure push each socket into the lamp holder one at a time (see graphic).
4. Due to risk of glass fracture handle the lamp with care!

Under unfavourable conditions these lamps can lead to acoustic noise. In case of resonance even low noise can cause audible effect. The installation as well as the dimmer or the transformer (harmonics or electronic resonance) are possible influencing factors.

CARE INSTRUCTIONS

1. Use a soft dry cloth to ensure a fingerprint free surface. We recommend the use of micro fibre cloths.
2. Warning: do not use alcohol or other solvents for cleaning.

* Please contact sales@kaia.at for further information on dimmers etc. Please note KAIA Ltd cannot take any responsibility for the connection with your dimming or central control system. It is the customer's responsibility to ensure the compatibility with their systems.

www.kaia.at

sales@kaia.at