

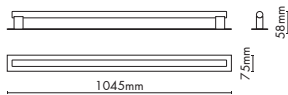


INSTALLATION MANUAL

M E A

'Line of light'

M E A
Wall / Ceiling
Plate 100

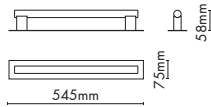


Type Ceiling/wall light
Material Solid brass
Environment Indoors
Dimensions 1045 x 75 x 58 mm
Weight 1.6kg
Certification IP20 CE
EU/UK 230 V
Bathroom Zone 3
Lamps Linear opal LED S14s*, 16.5W, 2700 K, dimmable, 1000 lm, energy class A

040 05 101

Polished nickel

M E A
Wall / Ceiling
Plate 50

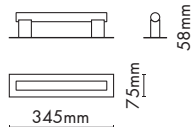


Type Ceiling/wall light
Material Solid brass
Environment Indoors
Dimensions 545 x 75 x 58 mm
Weight 0.6 kg
Certification IP20 CE
EU/UK 230 V
Bathroom Zone 3
Lamps Linear opal LED S14s*, 9 W, 2700 K, dimmable, 450 lm, energy class A

040 06 101

Polished nickel

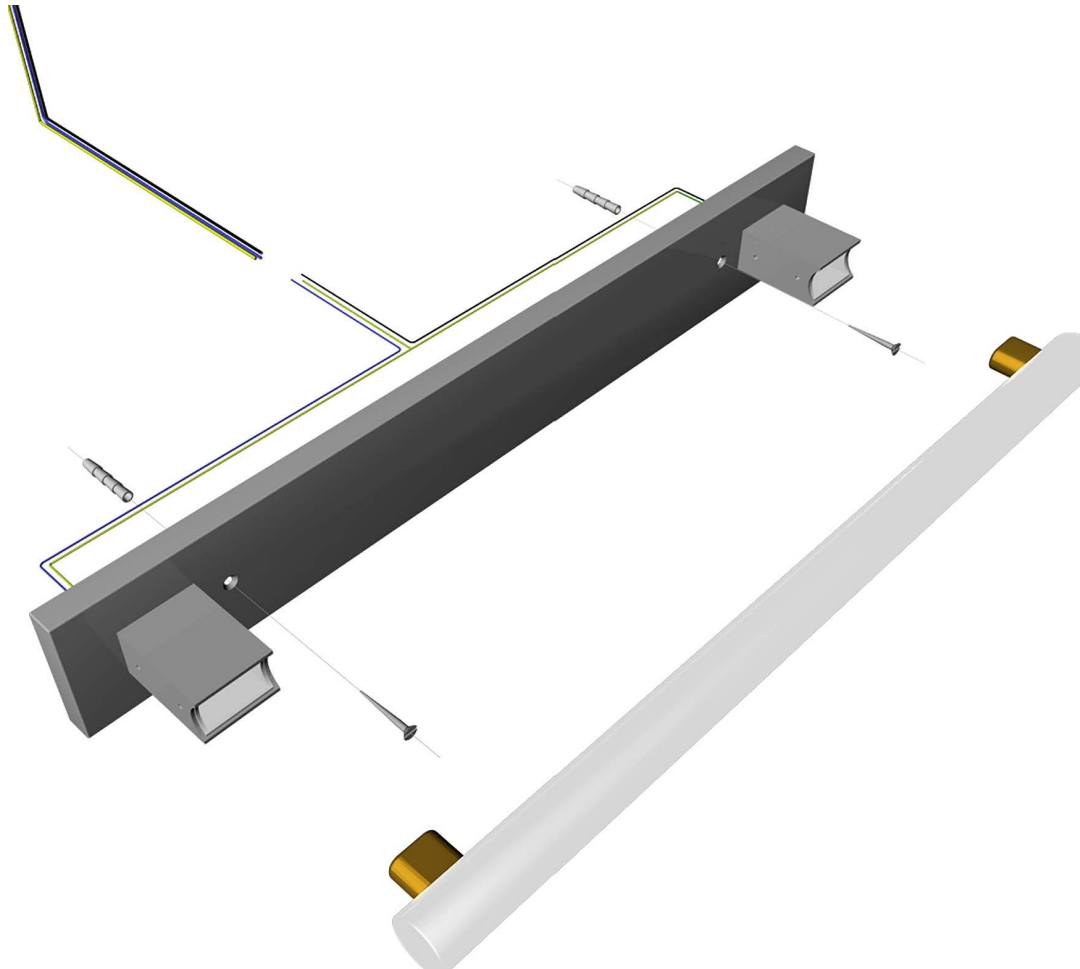
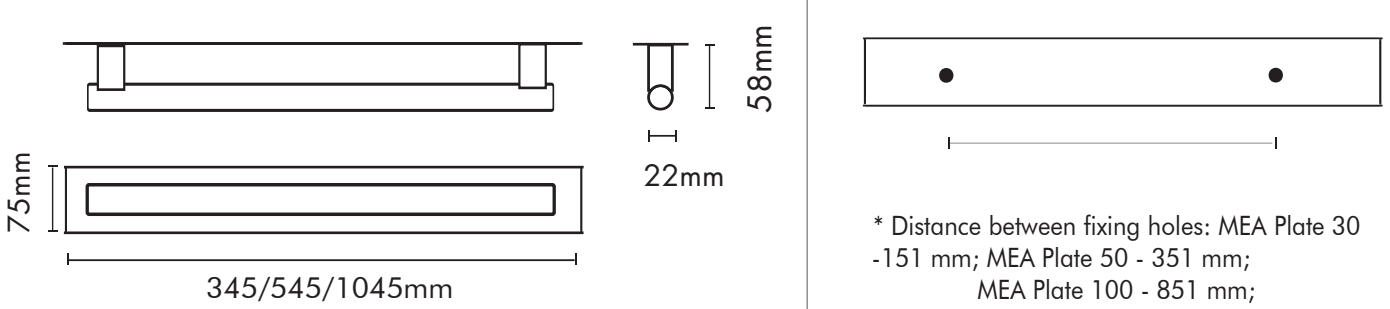
M E A
Wall / Ceiling
Plate 30



Type Ceiling/wall light
Material Solid brass
Environment Indoors
Dimension 345 x 75 x 58 mm
Cable Length 0.6kg
Weight IP20 CE
Certification 230 V
EU/UK Zone 3
Ceiling Rose Linear opal LED S14s*, 6 W, 2700 K, dimmable, 250 lm, energy class A
Lamps

040 07 101

Polished nickel

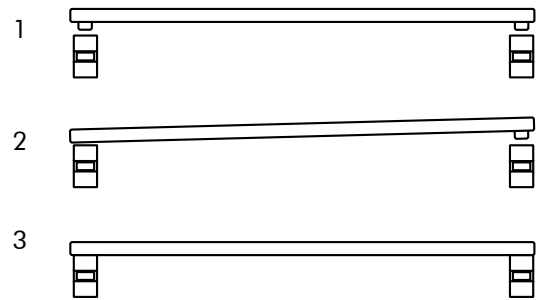
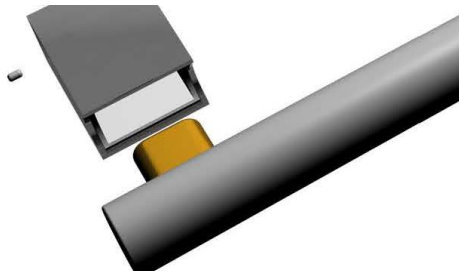


INSTALLATION

Before commencing installation ensure the relevant mains supply has been safely isolated/disconnected . Installation should be carried out by a qualified electrician.

Ensure all electrical connections are tight with no loose strands, including factory made connections. The Mains power must only be switched on once the fitting has been electrically connected to the driver.

1. Remove the base from the installation bracket.
2. Affix the bracket to the ceilings with 2 screws (hole size max. 4 mm). Distance between fixing holes: MEA Plate 30 - 151 mm; MEA Plate 50 - 351mm; MEA Plate 1000 - 851mm;
3. Connect the unit to the mains.
4. Fix the unit back on its base and re-tighten 2 screws on the side.



LAMP INSTALLATION

1. Before commencing installation ensure the relevant mains supply has been safely isolated/disconnected.
2. Use supplied fabric gloves to prevent any stains on the surface.
3. Whilst applying pressure push each socket into the lamp holder one at a time (see graphic).
4. Due to the risk of glass fracture handle the lamps with care!

Under unfavourable conditions these lamps can lead to acoustic noise. In case of resonance even low noise can cause audible effect. The installation as well as the dimmer or the transformer (harmonics or electronic resonance) are possible influencing factors.

CARE INSTRUCTIONS

1. Use a soft dry cloth to ensure a fingerprint free surface. We recommend the use of micro fibre cloths.
2. Warning: do not use alcohol or other solvents for cleaning.

* Please contact sales@kaia.at for further information on dimmers etc. Please note KAIA Ltd cannot take any responsibility for the connection with your dimming or central control system. It is the customer's responsibility to ensure the compatibility with their systems.

www.kaia.at

sales@kaia.at