

## ARTÉS COLLECTIVE 900 PENDANT

Minimal in form yet decorative in material, the Artés collection has a strong presence through its premium materials. The LED light illuminates the translucent alabaster perfectly.

### FINISH

bronze with satin brass details and honed alabaster  
CTO-01-043-0101

satin brass with honed alabaster  
CTO-01-043-0102

### SUSPENSION

drop rod with ceiling box

please specify

- the length of the longest drop (max. 6 meters)
- the length of the shortest drop (min. 100mm)

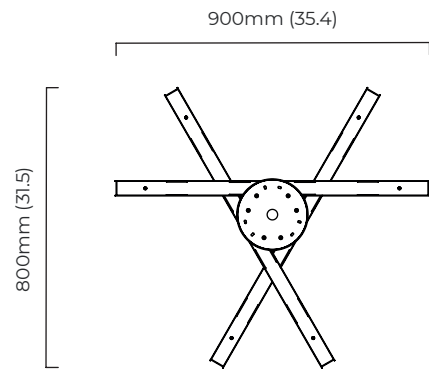
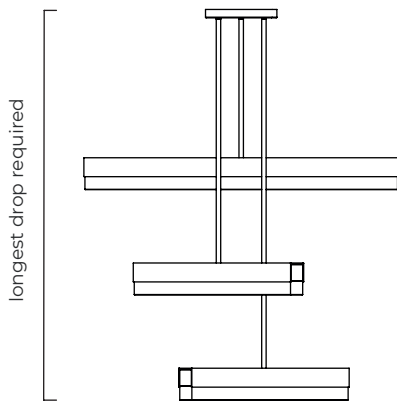
### BULBS

integrated LED - dimmable - 72w - 2700k

### WEIGHT

24kg (52.9lbs)  
additional support around junction box required for installation

### CERTIFICATION



	Input Voltage	As Standard	On Request
Phase Cut (rotary dimmer)	230	✓	
0/1-10V230	230		✓
DALi	230		✓
Phase Cut (rotary dimmer)	120	✓	
0/1-10V120	120		✓
DALi	120	x	x

mounting plate dimensions

