

# TENSE



KNX\_INTA4

## SPECIFICATIONS

Power supply: **min. 21 V DC. max 31 V DC.** supplied by the KNX bus line

Maximum power consumption: 1F/2F/4F: **360mW** - 8F: **480mW**

Connection to bus: **2 x 1 mm pins for bus connecting terminal (TP1)**,  
0.5mm<sup>2</sup> section

Operating temperatures: **-5 °C to +45 °C**

Maximum humidity: **93%** relative humidity, no moisture condensation

Type of protection (EN 60529): **IP20** (with front plate mounted)

Dimensions      1F, 2F, 4F: GLASS / STONE: **90 x 90 x 8 mm**  
METAL / WOOD / CORIAN: **84 x 84 x 6 mm**  
CORIAN 3D: **84 x 84 x 10 mm**  
8F:                 GLASS / STONE : **90 x 160 x 8 mm**  
METAL / WOOD / CORIAN: **84 x 165 x 6 mm**

## INSTALLATION INSTRUCTIONS:

1. **Remove power** from the KNX bus.
2. Connect the bus coupler with the KNX bus using the KNX TP1 bus connection terminal.
3. Connect the **red bus wire** to the red terminal (+) and the **black bus wire** to the black terminal(-).
4. Remove the front.
5. The bus coupler fits in a **standard size wallbox**. Use two flat headed screws to **fix the bus coupler**. Make sure the mounting is level and that the "TOP ↑" marking on the PCB points upwards.
6. **Re-power** the KNX bus.
7. Press the programming button. Make sure the **red programming LED** lights up.
8. In ETS, add the device and **assign the physical address**.
9. **Program** the physical address. Make sure the red programming LED turns off.
10. **Plug the front** onto the bus coupler. Make sure that the "TOP ↑" marking on the PCB (backside of the front) points upwards.
11. In ETS, select the appropriate parameters and **assign the group addresses**.
12. **Download** the application program to the device.

## INTENSITY SERIES



The **Intensity** of Tense is a capacitive touch based **switch** with **integrated temperature sensor with correction**. With this internal temperature sensor (or using an external one), the integrated thermostat (PI and 2point - switching) can be used to **control the room temperature**.

Depending on the type of front plate the Intensity has 1, 2, 4 or 8 touch zones with individual RGB LED feedback. The integrated colour LEDs provide **tactile and functional feedback**. Their individual colour or behaviour can be set through the **ETS** parameter or over the bus.

The Intensities function and behaviour is **programmable** by setting the appropriate parameters in **ETS**. It supports **switching, dimming and setting scenes** for up to four selectable output blocks. Additionally it also has a **scene module, programmable logic ports, timer and up/down counter** functionality.

The Intensity can be installed on a regular **single British or European square or round wallbox**. The switch is **surface mount**, but can be made **100% recessed** with the Trimless Wallbox delivered by Xillo®.

The **functions** of the **INTENSITY** series are:

- **Switch** or Send **1 or 2 Byte values** on
  - Short Touch
  - Short and Long Touch
  - Positive / Negative Edges
  - Multi-touch (touching at least 2 buttons)
- **Dimming**
  - Up
  - Down
  - Up / Down
- **Recalling Scenes**
  - 1-64 scenes can be called
- **Shutter / Blind Control** (using 1 or 2 buttons), with predefined operation concepts: Up/Down, Up, Down:
  - Short Touch: start / Long Touch: stop
  - Short Touch: start / Short Touch: stop
  - Single Touch

## ACCESSORIES:

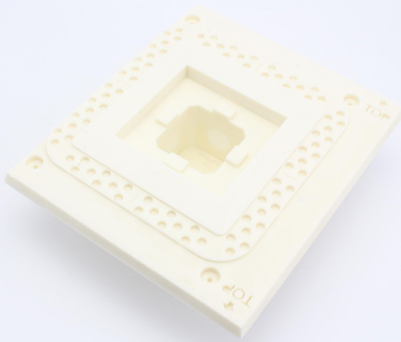
The Intensity can be completed by using accessories.

### TRIMLESS WALLBOX

TRIM\_SWITCHMCWINV124\_BC (brick or concrete/metal, corian or wood),  
 TRIM\_SWITCHMCWINV124\_P (plasterboard/metal, corian or wood),  
 TRIM\_SWITCHGS124\_BC (brick or concrete/glass or stone),  
 TRIM\_SWITCHGS124\_P (plasterboard/glass or stone).

The switch is surface mount, but can be **made 100% recessed** with the **Trimless Wallbox** delivered by Xillo®. The fixture is in one piece and completely made of the **solid patented composite**, so no need for an extra mounting kit. Easily install this wallbox in the wall thanks to the **pre-drilled holes**. The unique layered design and the **handy indicators for laser positioning**, make sure that every fixture is **easy to plaster**. In addition, the typical Xillo® pattern and large mounting surface ensure that the plaster is always perfectly fixated.

See our **Trimless Switch Wallbox data sheet** for further information.



TRIM\_SWITCHMCW124INV



KNX\_INTAW4 & TRIM\_SWITCH

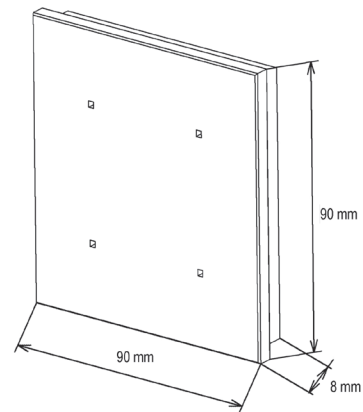
## CUSTOMIZATIONS:

Would you like to **personalize** your **products** permanently with inscriptions, logos and/or symbols? All Tense finishes are suitable for these customizations. **Engraving, printing, lasering...** are some of the available options.

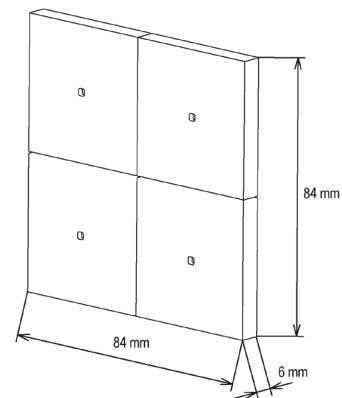
See our **Customizations data sheet** for further explanation.



The Intensity series complies of 7 different touch-pad combinations in two product lines: The Intensity and Intensity Landscape. See our **Intensity Landscape data sheet** for further information.



Drawing Intensity Glass/Stone 4F



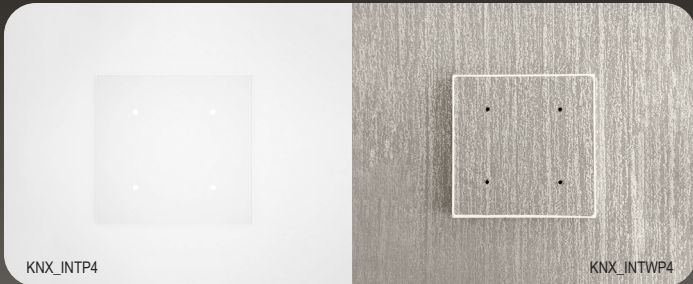
Drawing Intensity Metal 4F

## SPECIAL FINISHES:

### INTENSITY PAINTABLE

KNX\_INTP4

Do you like to subtly integrate your switch in your interior? Just **paint** this finish plate and the switch is **almost invisible**. This front is made of a special **composite** material which can easily be painted in any colour matching your interior. For protecting the switch, a matt **water-based varnish** can be sprayed over the paint.



### INTENSITY WALLPAPER

KNX\_INTWP4

This front is made of a special **composite** material and the **sides** can easily be **painted** in any colour, matching the wall or interior. **Wallpaper**, wood veneer, leather, fish skin, cork and other materials of a thickness up to 0,5 mm can be **glued** in the cut-out.

### INTENSITY INTEGRATED

KNX\_INTINT

Tense can provide you the **electronics** to be placed behind a glass, Corian®, stone, ceramic or wooden wall. Furthermore, we can guide you with the instructions and dimensions regarding the **cut-out at the back of these materials**.



### INTENSITY INVISIBLE

KNX\_INTINV

Want to lift your switch to another level of **integration**? Then opt for the **Intensity Invisible** from Tense. Thanks to the combination of the **Xillo® Trimless wallbox** & the durable **composite** material, an in-wall switch is created which is elegant, stylish and nearly **invisible**. This switch can be easily finished in any colour and type of paint of your liking.

See the relevant data sheets for more information about each of our special finishes.

## FINISHES

1F, 2F, 8F available in Corian, Glass and all Metal finishes.  
4F available in all finishes.

### Aluminium:

Alu (brushed)	KNX_INTA
Forged Alu	KNX_INTFA
Alu Black (brushed)	KNX_INTAB
Forged Alu Black	KNX_INTFAB
Alu Dark Grey (brushed)	KNX_INTADG
Forged Alu Dark Grey	KNX_INTFADG
Alu White (RAL 9016)	KNX_INTAW
Alu RAL (on request)	KNX_INTARAL

### Bronze:

Bronze	KNX_INTB
Forged Bronze	KNX_INTFB
Bronze Light	KNX_INTBL
Forged Bronze Light	KNX_INTFBL

### Metal:

Chrome (polished)	KNX_INTCH
Stainless Steel (brushed)	KNX_INTSS
Forged Stainless Steel	KNX_INTFSS
Forged Steel	KNX_INTFS
Brushed Gold	KNX_INTBG
Forged Gold	KNX_INTFG
Brushed Copper Rose	KNX_INTBCR
Forged Copper Rose	KNX_INTFCR

### Corian:

Corian Black	KNX_INTCB
Corian White	KNX_INTCW
Corian RAL	KNX_INTCRAL
Corian Carrea White	KNX_INTCCA
Corian Linea White	KNX_INTCLIW
Corian Organica White	KNX_INTCORW
Corian Ronda White	KNX_INTCROW
Corian Claudia White	KNX_INTCCLW

### Glass:

Glass Black (RAL 9017)	KNX_INTGB
Glass Silver (RAL 7001)	KNX_INTGS
Glass White (RAL 9016)	KNX_INTGW

### Stone:

Belgian Blue	KNX_INTSBB
Calacatta Marble	KNX_INTSCM
Carrara Bianco Marble	KNX_INTSCBM
Ceppo Di Gres Limestone	KNX_INTSCDGL
Emperador Grey Marble	KNX_INTSEGM
Emperador Marron Marble	KNX_INTSEMM
French White	KNX_INTSFW
Oak White Marble	KNX_INTSOWM

### Wood:

Afromosia	KNX_INTWAF
Ash	KNX_INTWAS
Oak Cotton White	KNX_INTWOCW
Oak Dark	KNX_INTWOD
Oak Pura Natura	KNX_INTWOPN
Padouk	KNX_INTWPA
Walnut	KNX_INTWWA
Wenge	KNX_INTWWE