

TENSE



KNX_INFA4

SPECIFICATIONS

Power supply: **min. 21 V DC. max 31 V DC.** supplied by the KNX bus line

Maximum power consumption: 4F: **600 mW** - 8F: **720 mW**

Connection to bus: **2 x 1 mm pins for bus connecting terminal** (TP1),
0.5mm² section

Operating temperatures: **-5 °C to +45 °C**

Maximum humidity: **93%** relative humidity, no moisture condensation

Type of protection (EN 60529): **IP20** (with front plate mounted)

Dimensions 1F, 2F, 4F: GLASS: **90 x 90 x 10,3 mm**

METAL / CORIAN: **84 x 84 x 9 mm**

8F: METAL / CORIAN: **84 x 165 x 9 mm**

INSTALLATION INSTRUCTIONS:

1. **Remove power** from the KNX bus.
2. Connect the bus coupler with the KNX bus using the KNX TP1 bus connection terminal.
3. Connect the **black bus wire** to the black terminal(-) and the **red bus wire** to the red terminal (+).
4. Remove the front.
5. The bus coupler fits in a **standard European or British wallbox**. Use two flat headed screws to **fix the bus coupler**. Make sure the mounting is level and that the "TOP ↑" marking on the PCB points upwards.
6. **Re-power** the KNX bus.
7. Press the programming button. Make sure the **red programming LED** lights up.
8. In ETS, add the device and **assign the physical address**.
9. **Program** the physical address. Make sure the red programming LED turns off.
10. **Plug the front** onto the bus coupler. Make sure that the "TOP ↑" marking on the PCB (backside of the front) points upwards.
11. In ETS, select the appropriate parameters and **assign the group addresses**.
12. **Download** the application program to the device.

Watch our video on www.tense.be (Downloads > Movie Infinity).

INFINITY SERIES

The **Infinity** of Tense is a capacitive touch based **OLED room controller** with **integrated temperature sensor**.



With this internal temperature sensor with correction (or by using an external one), the integrated thermostat (PI and 2point - switching/continuous) can be used to **control the room temperature**. Also the HVAC system can be controlled through these functions.

Depending on the type of front plate the Infinity has **4 or 8 touch zones** with individual **RGB LED** feedback. The integrated colour LEDs provide **tactile and functional feedback**. Their individual colour or behaviour can be set through the **ETS** parameters or over the bus.

The Infinity's function and behaviour is **programmable** by setting the appropriate parameters in **ETS**. It supports **switching, dimming and setting scenes** for up to eight selectable output blocks. Additionally it also has a **timer and up/down counter** functionality, light setting, temperature control, audio control, shutter control, programmable logic ports ...

Both the Infinity 4F and Infinity 8F can be installed on a regular **single British or European square or round wallbox**. The room controller is **surface mount**, but **can be made 100 % recessed** with the Trimless Wallbox delivered by Xillo®.

The functions of the **INTENSITY** series are:

- **Switch** or Send **1 or 2 Byte values** on
 - Short Touch
 - Short and Long Touch
 - Positive / Negative Edges
 - Multi-touch (touching at least 2 buttons)
- **Dimming**
 - Up
 - Down
 - Up / Down
- **Recalling Scenes**
 - 1-64 scenes can be called
- **Shutter / Blind Control** (using 1 or 2 buttons), with predefined operation concepts: Up/Down, Up, Down:
 - Short Touch: start / Long Touch: stop
 - Short Touch: start / Short Touch: stop
 - Single Touch

Additionally, **touching** at least **two buttons** at the same time activates the **menu**. In this menu, you can navigate through the **main pages** (which are organised by function) by **swiping** from left to right (forward) or from right to left (backward) on the upper two buttons. By **swiping the lower two touch buttons**, sub pages can be navigated. Each page contains a **description** of its function and the function of each button.

Available pages:

- **Thermostat** (Changing the Mode and Setpoint)
- **3x6 Lights** (Switching / Dimming)
- **2x6 Shutters/Blinds/Curtains**
- **2x6 Scenes**
- **2x6 Value Pages**
- **Multimedia Control** (Selecting source/ Volume / Play lists...)

ACCESSORIES:

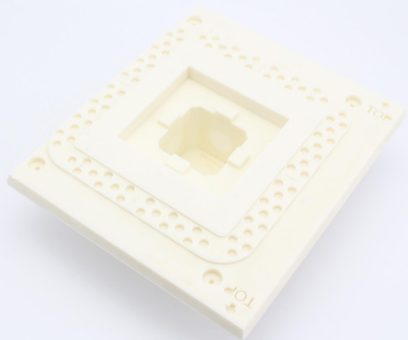
The Infinity can be completed by using additional accessories.

TRIMLESS WALLBOX

TRIM_SWITCHMCWINV124_BC (brick or concrete/metal, corian or wood),
 TRIM_SWITCHMCWINV124_P (plasterboard/metal, corian or wood),
 TRIM_SWITCHGS124_BC (brick or concrete/glass or stone),
 TRIM_SWITCHGS124_P (plasterboard/glass or stone),

The switch is surface mount, but can be **made 100% recessed** with the **Trimless Wallbox** delivered by Xillo®. The fixture is in one piece and completely made of the **solid patented composite**, so no need for an extra mounting kit. Easily install this wallbox in the wall thanks to the **pre-drilled holes**. The unique layered design and the **handy indicators for laser positioning**, make sure that every fixture is **easy to plaster**. In addition, the typical Xillo® pattern and large mounting surface ensures that the plaster is always perfectly fixated. Finish it off the way you like.

See our **Trimless Switch Wallbox** data sheet for further information.



TRIM_SWITCH



KNX_INF4W4 & TRIM_SWITCH

CUSTOMIZATIONS:

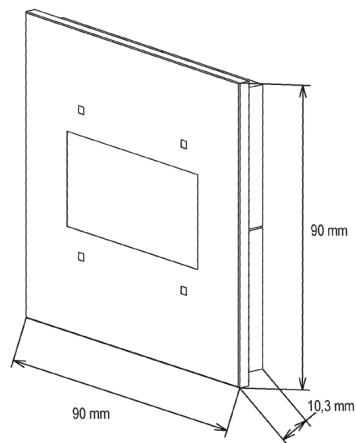
Would you like to **personalize** your **products** permanently with inscriptions, logos and/or symbols? All Tense finishes are suitable for these customizations. **Engraving, printing, lasering...** are some of the available options.

See our **Customizations** data sheet for further explanation.

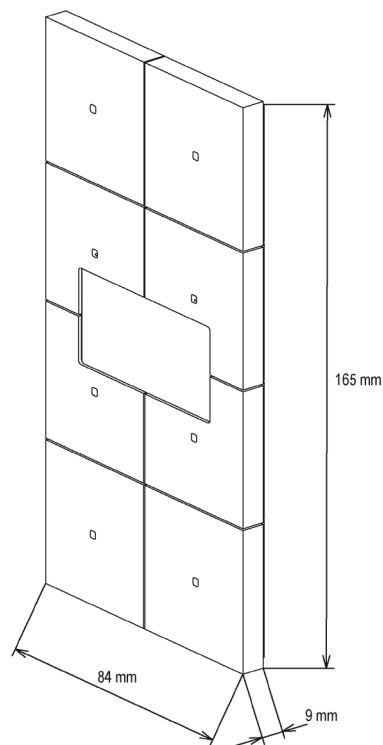


INF8

INF4



INT glass 4F



INF metal 8F

FINISHES

Aluminium:

Alu (brushed)	KNX_INFA
Forged Alu	KNX_INFFA
Alu Black (brushed)	KNX_INFAB
Forged Alu Black	KNX_INFFAB
Alu Dark Grey (brushed)	KNX_INFADG
Forged Alu Dark Grey	KNX_INFFADG
Alu White (RAL 9016)	KNX_INFAW
Alu RAL (on request)	KNX_INFARAL

Bronze:

Bronze	KNX_INF B
Forged Bronze	KNX_INFFB
Bronze Light	KNX_INFBL
Forged Bronze Light	KNX_INFFBL

Metal:

Chrome (polished)	KNX_INFCH
Stainless Steel (brushed)	KNX_INFSS
Forged Stainless Steel	KNX_INFFSS
Forged Steel	KNX_INFFS
Brushed Gold	KNX_INFBG
Forged Gold	KNX_INFFG
Brushed Copper Rose	KNX_INFBCR
Forged Copper Rose	KNX_INFCCR

Corian:

Corian Black	KNX_INF CB
Corian White	KNX_INF CW
Corian RAL	KNX_INF CRAL

Glass:

Glass Black (RAL 9017)	KNX_INFGB
Glass Silver (RAL 7001)	KNX_INF GS
Glass White (RAL 9016)	KNX_INF GW