

RA Series

RA Line

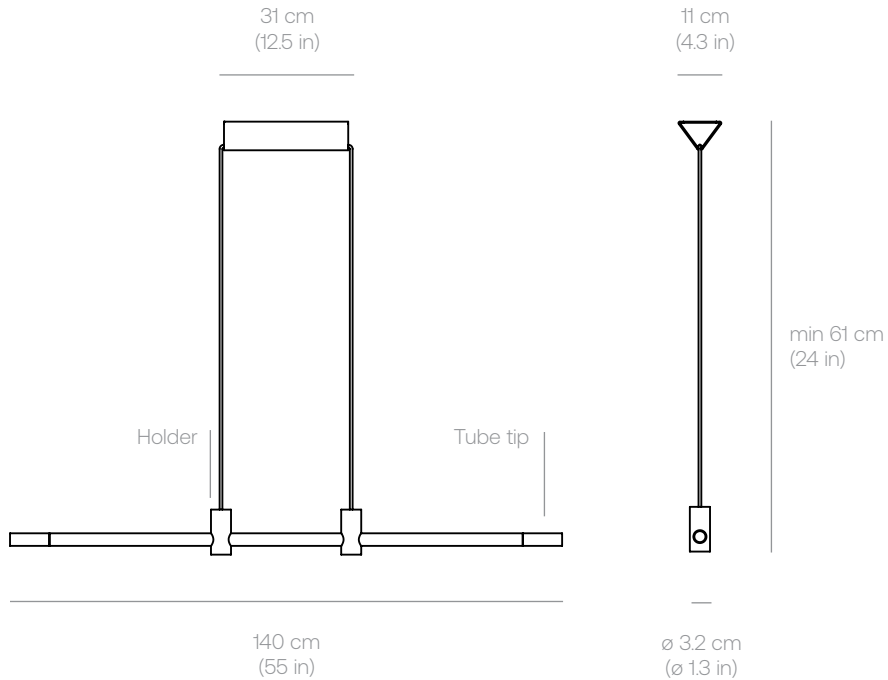
Design by Alexandre Joncas

Line is distinguished by a marked opposition between heaviness and lightness. The assemblage of borosilicate glass tube that pierces the supports in solid bronze accentuates this rivalry. The amber tips emphasize the simplicity of the straight line.



RA Line

Design by Alexandre Joncas



Lamping Specifications

Power input : 45W
 Technology : Cold cathode neon lifetime of 100 000h
 CCT* : 3000K (Warm white)
 Lumen source : 1125 lm
 CRI : 94
 Input voltage : 120V - On/off only
 220-240V - DALI dimming*

* 1-10V and other CCT available upon request

Product Weight

6.8 kg / 15 lbs

Height

A	B	C	D
61 cm (24 in)	89 cm (35 in)	112 cm (44 in)	201 cm (79 in)

*custom height available upon request

Certifications

IP20

Materials

Glass tube tips finishes :

- Clear Amber
- Clear Green
- Clear Blue
- Frosted Transparent

Holder and canopy finishes :

- Brass
- Chrome
- Glossy Black
- Glossy White

Order code generator	Serie	Model	Finish	Details	Voltage	Height	QTY
	RA RA	LI Line	CA Clear Amber	BR Brass	11 120V	A 61 cm	.
	.	.	CG Clear Green	CH Chrome	21 220-240V	B 89 cm	.
	.	.	CB Clear Blue	BG Glossy Black	.	C 112 cm	.
	.	.	FT Frosted Trans.	WG Glossy White	.	D 201 cm	.
	Z Custom	.
Order code :	RA	LI	---	---	---	---	---

