



Hartau simple

Assembly instructions



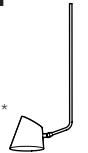
Attention: Read and understand these instructions before installing fixture. This fixture is intended for installation in accordance with National Electric Code and local regulation : to assure full compliance with local code and regulations, check with your local electric inspector before installation. This equipment is guaranteed only when used as indicated in the instructions; therefore they should be kept for future reference. Install where luminaire will be protected from likely damage. This fixture is ceiling mounted only.

Your box should contain

1x allen key



1x arm of the luminaire
1x extension (if applicable)*



2x cotton gloves



1x canopy

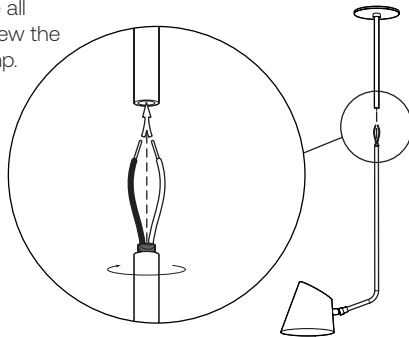


Tools needed, not included

- Junction box and screw
- Flat head screwdriver
- Wire connectors

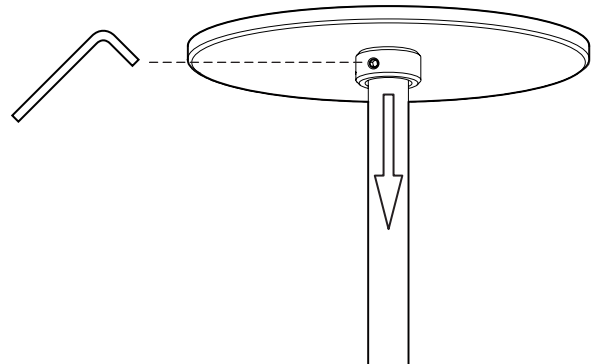
⚠ If your lamp has an extension :

First get the wires from the lamp through the extension tube all the way to the canopy. Screw the extension tube into the lamp.



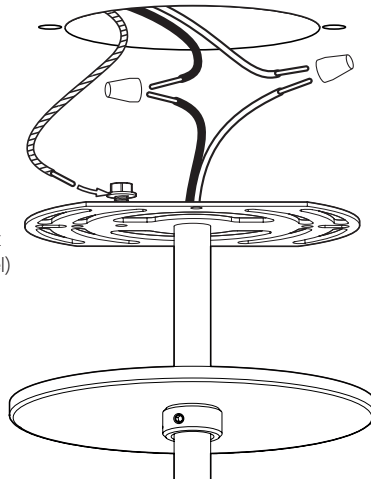
Unpack all components from the box and dispose of the packaging. Please recycle.

1 Using the small allen key, unscrew the ring below the canopy and lower the canopy.



2 First, connect the junction box ground to the green screw on the mounting plate.

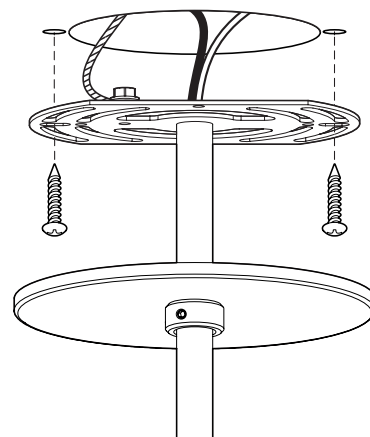
Then, connect the live and neutral wires.



⚠ (Shut off main power at the circuit breaker panel)

Ceiling wires	Fixture wires
120V	220V
Live	Black Brown
Neutral	White Blue
Ground	Green screw

3 Use appropriate achors and screws (not included) to fasten the universal plate for your installation



4 Put the canopy back up and tighten the ring with the small allen key.

