

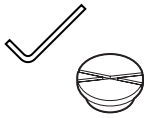
# Hartau table

## Assembly instructions

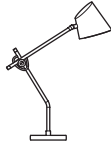


### Your box should contain

1x allen key  
1x cap



1x assembled  
luminaire



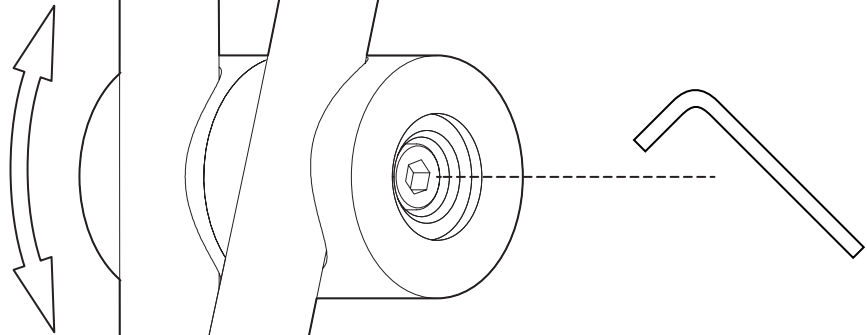
2x cotton  
gloves



### Tools needed, not included

-Flat head screwdriver

- 1 By loosening the bolt with the allen key, place the arm at the desired angle.



Unpack all components from the box and dispose of the packaging. Please recycle.

- 2 Screw back the bolt with the allen key.  
Screw the swivel cap.

