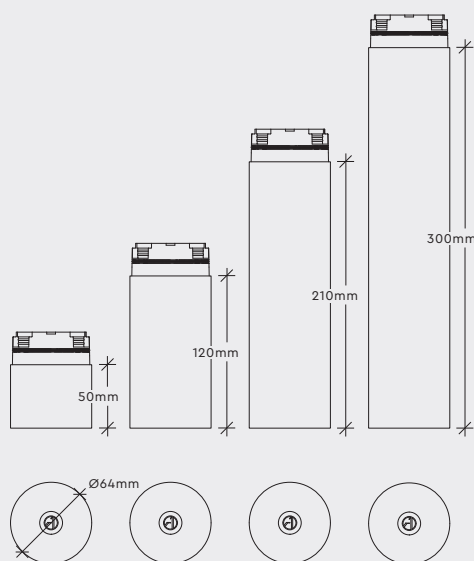


STORM SYSTEM®

The Storm Small Baster is part of the STORM SYSTEM® collection. A collection that includes a wide range of special designed products. The STORM SYSTEM® collection is carefully designed to flush the surface of any ceiling or wall, and all products will appear with an absolute minimum of tolerance and visibility.

A soft, pleasant light is emitted through the alabaster stone.



The crossed-out wheeled bin symbol indicates that the item should be disposed of separately from household waste. The item should be handed in for recycling in accordance with local environmental regulations for waste disposal

For more information, please contact info@onea.dk

STORM SMALL BASTER CC

DATA

Collection	STORM SYSTEM®
Product	Storm Small Baster – Constant Current
Article no.	1A00.0115.3273 (Alubaster 50) 1A00.0116.3273 (Alubaster 120) 1A00.0117.3273 (Alubaster 210) 1A00.0118.3273 (Alubaster 300)

SPECIFICATIONS

Weight	250 – 500 g
Materials	Natural stone, Aluminium and Steel
IP protection grade	IP20
Labelling	CE
Insulation class	Class III
Fixture finish	Alabaster
Light Source	LED Constant Current (light source included) For IES/LDT lux files review STORM SYSTEM® – LUX FILES >
Supply	5W 34V 130mA
CCT	2700k (nature stone – variations will occur!)
Lumen	130–250lm
Efficiency	30–45lm/W
CRI	90+

OPTIONAL DRIVERS

Driver	review CONFIGURATION >
	This product shall always be powered by SELV LED driver, output voltage of this driver in open circuit must not exceed 60V. Do NOT cover the LED driver

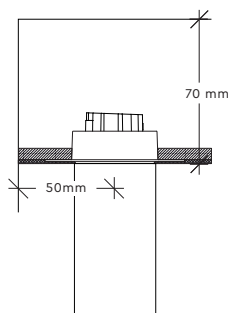
NOTE

Be cautious while putting on/off the power supply, as excess current, excess voltage or reverse voltage may get injected to the device in some cases.

Only compatible with 2. gen. Storm Small Plaster Ring (1A00.0002.01) and Storm Small Back-Mounted Ring (1A00.0049.xx)

INSTALLATION DEPTH

Be aware – external driver location is recommended.
For specific light source conditions – review CONFIGURATION >



IMPORTANT INFORMATION

Installation and mounting must be performed by a certified electrician only, and instructions must be followed.

Always make sure the main power is off during installation. Pay attention to the fixture remarks, and always make sure to use the correct voltage.

CLEANING AND MAINTENANCE:

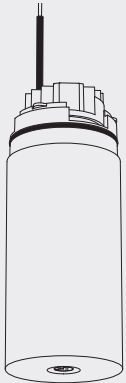
Use a soft moist cloth for cleaning. No further maintenance is required.

WARRANTY:

If the product is defect, please contact your supplier immediately. Please note that warranty will not apply in case of wrongful use or if unskilled personnel attempts to repair.

COMPONENTS

- Storm Small Baster



PLEASE NOTE:

If the spring on the fixture is damaged, do not proceed installation – contact your dealer!

STORM SMALL BASTER CC

ASSEMBLY INSTRUCTION PAGE 1 OF 2

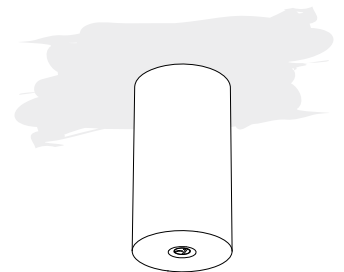
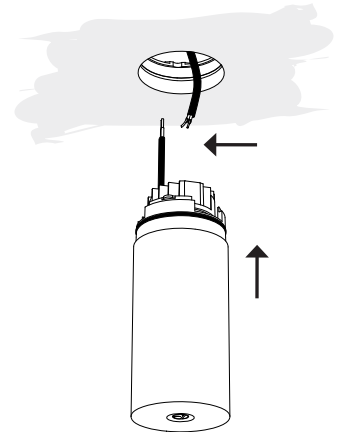
STEP 1

Connect the supply cable with Storm Small Baster's cable, then mount the fixture into the plaster ring/back-mounted ring.

Do this by gently rotating the fixture until you feel resistance, then give it one last twist to ensure that the fixture is securely fastened.

BE ATTENTIVE! Make sure you are using the correct power supply according to the fixture.

NOTE: When rotating the fixture choose the direction with the least resistance.



IMPORTANT INFORMATION

Installation and mounting must be performed by a certified electrician only, and instructions must be followed.

Always make sure the main power is off during installation. Pay attention to the fixture remarks, and always make sure to use the correct voltage.

CLEANING AND MAINTENANCE:

Use a soft moist cloth for cleaning. No further maintenance is required.

WARRANTY:

If the product is defect, please contact your supplier immediately. Please note that warranty will not apply in case of wrongful use or if unskilled personnel attempts to repair.

STORM SMALL BASTER CC

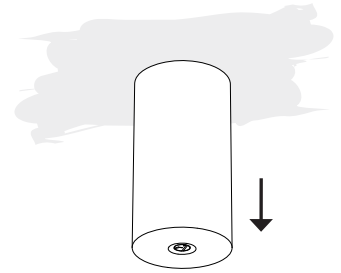
ASSEMBLY INSTRUCTION PAGE 2 OF 2

INSTRUCTIONS ON CHANGING LIGHT SOURCE

STEP 1

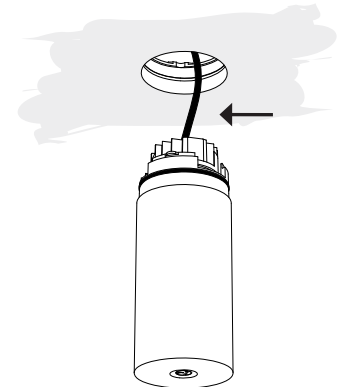
Take hold of the fixture and pull down gently, whilst slightly rotating.

NOTE: When rotating the fixture choose the direction with the least resistance.



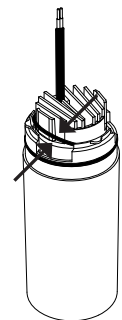
STEP 2

Disconnect the wires



STEP 3

Remove the retaining ring using light pressure. Then replace the light source and reattach the retaining ring - make sure it snaps.



STEP 4

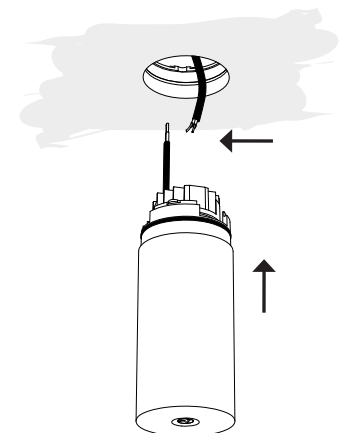
Connect the supply cables.

Then mount the fixture into the plaster ring/ back-mounted ring.

Do this by gently rotating the fixture until you feel resistance, then give it one last twist to ensure that the fixture is securely fastened.

BE ATTENTIVE! Make sure you are using the correct power supply according to the fixture.

NOTE: When rotating the fixture choose the direction with the least resistance.



IMPORTANT INFORMATION

Disassembly must be performed by a certified electrician only, and instructions must be followed.

WARRANTY:

If the product is defect, please contact your supplier immediately. Please note that warranty will not apply in case of wrongful use or if unskilled personnel attempts to repair.

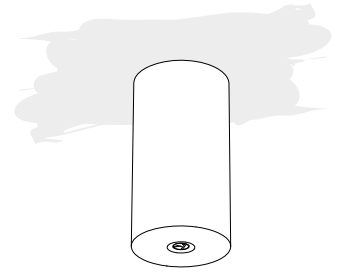
STORM SMALL BASTER CC

DISASSEMBLY INSTRUCTION

STEP 1

Take hold of the fixture and pull down gently, whilst slightly rotating.

NOTE: When rotating the fixture choose the direction with the least resistance.



STEP 2

Disconnect the cables

