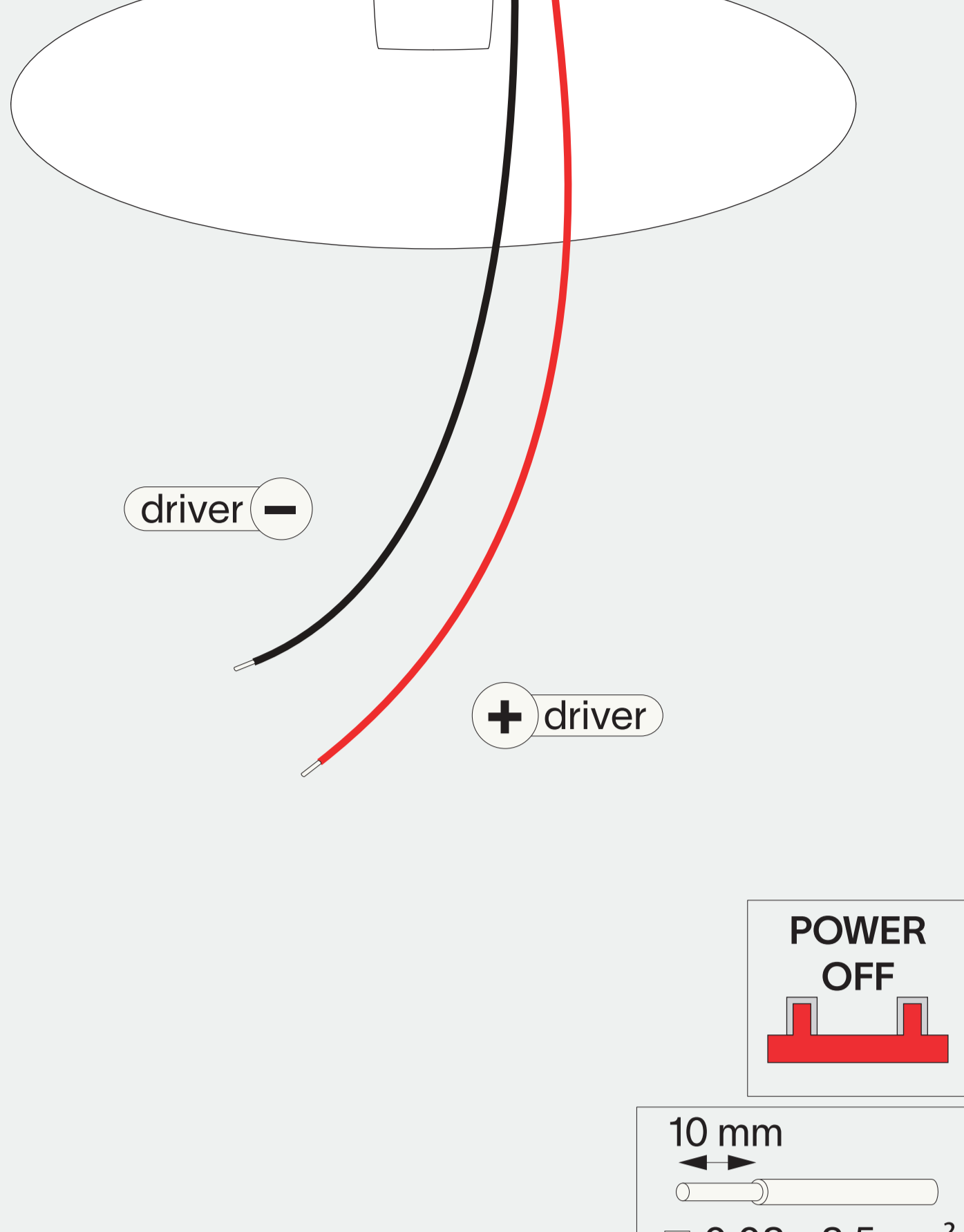


acrobat micro

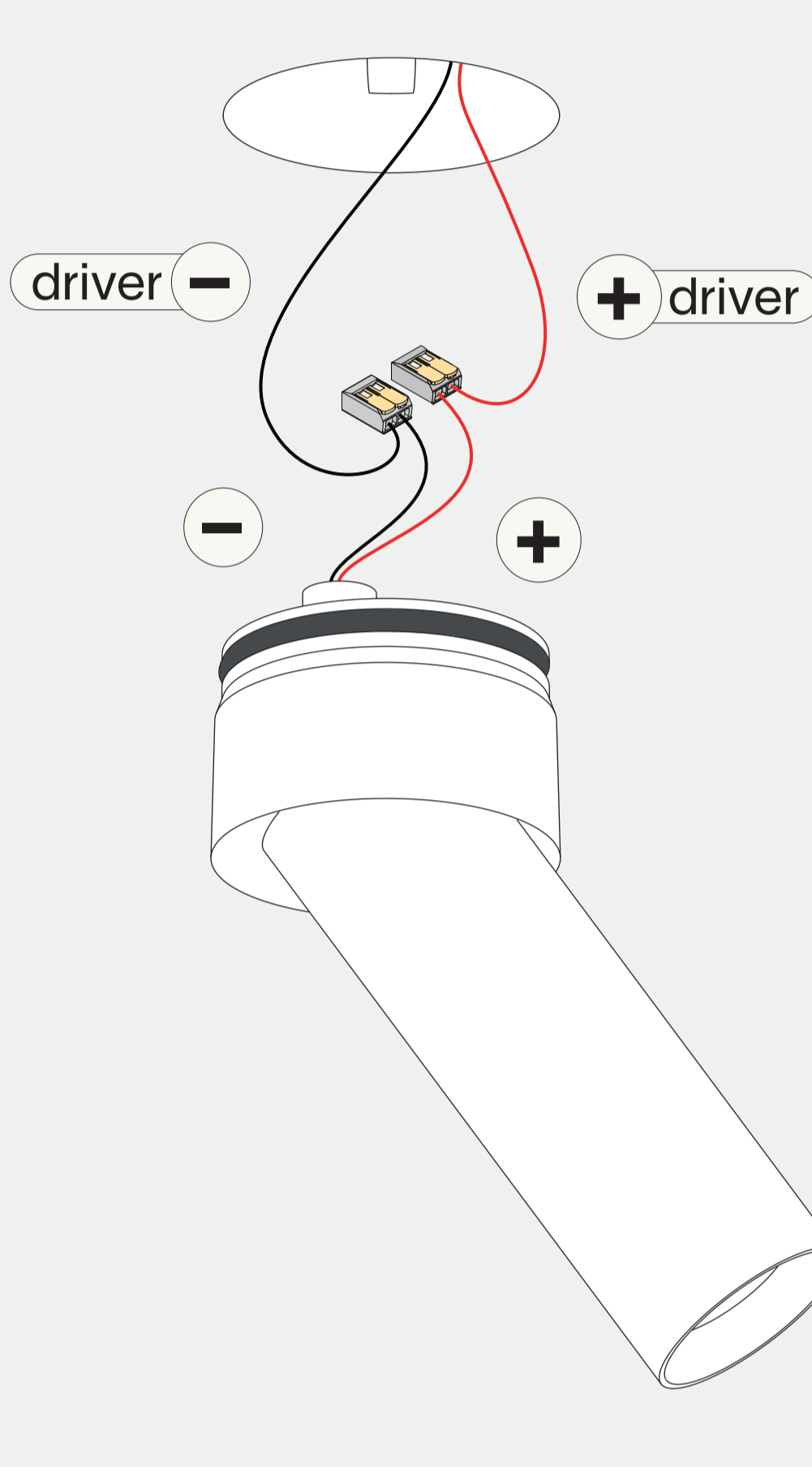
installation instruction

1



turn the power off - driver location remote

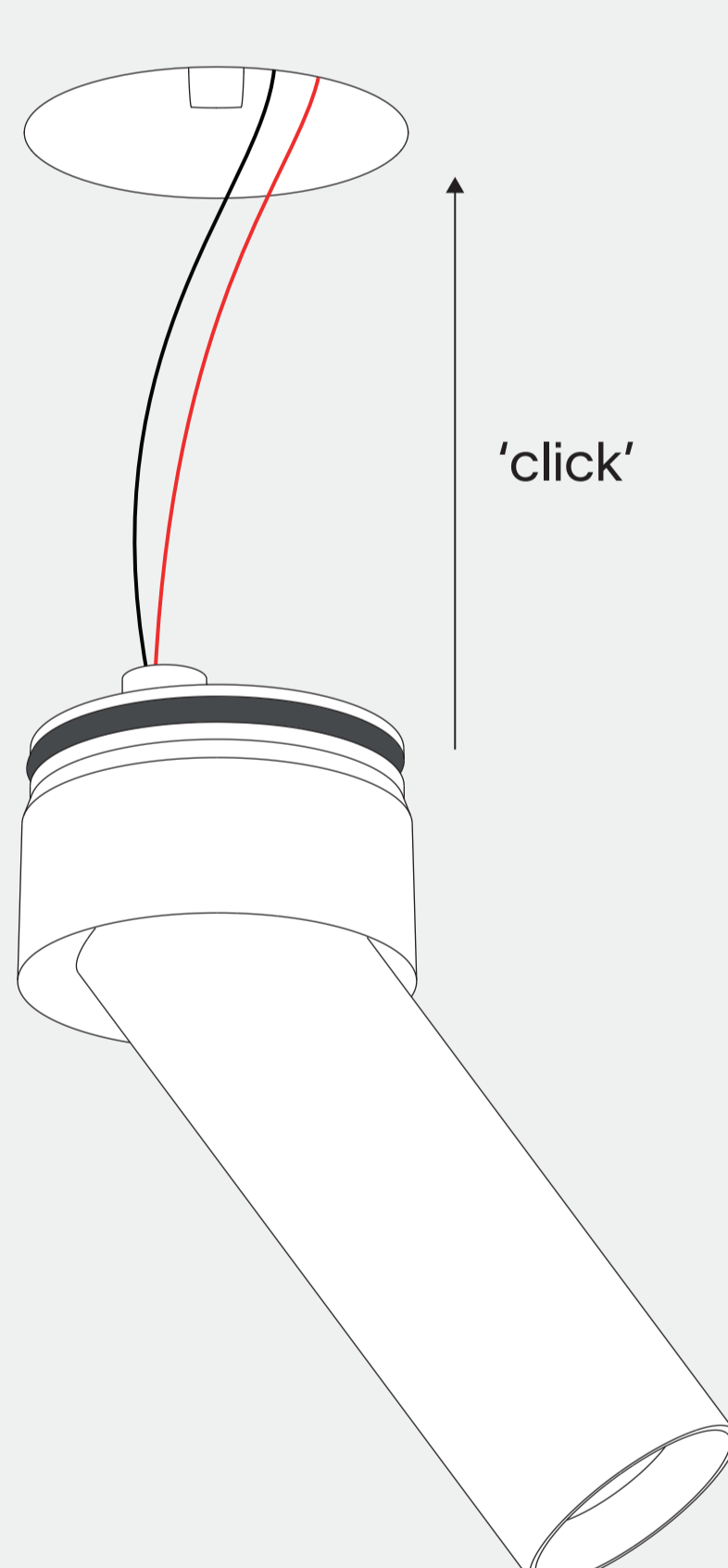
2



connect the wires with wago connectors
for serial connection, respect polarity

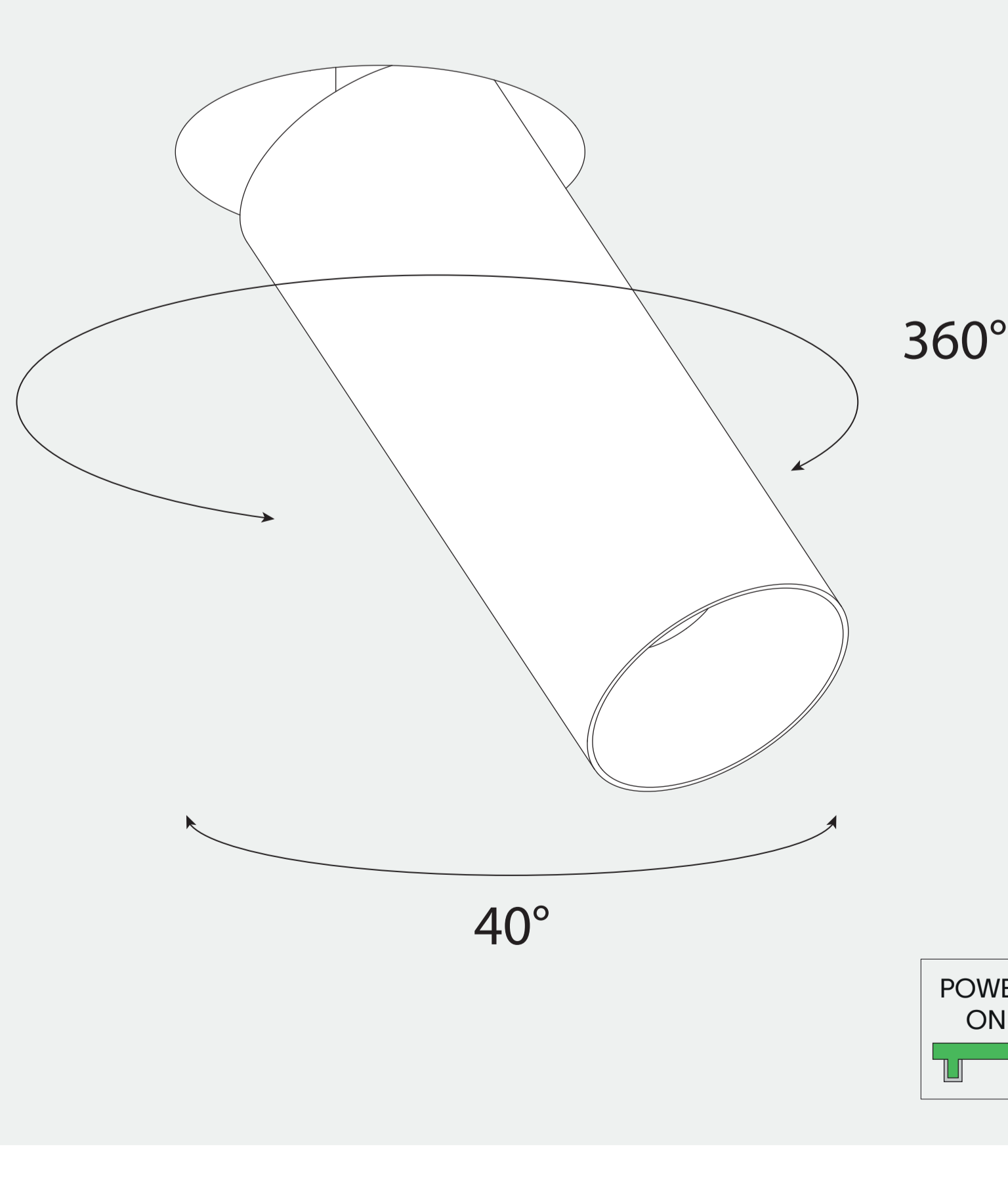
combine with a prado LED-driver

3



gently insert the fixture into the kit until it "clicks"

4



twist the luminaire as desired

thank you for choosing prado



Replace lens when broken.
Luminaire shall only be used together with lens.