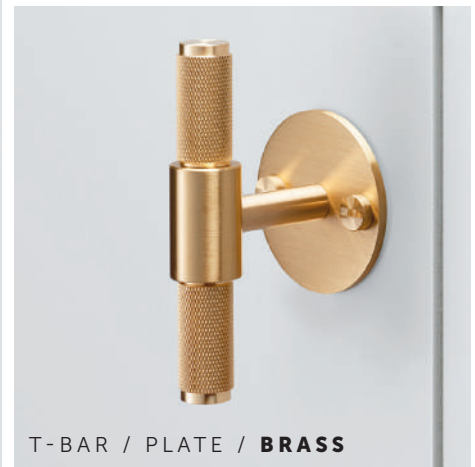


BUSTER + PUNCH

T-BAR

TECH SPEC



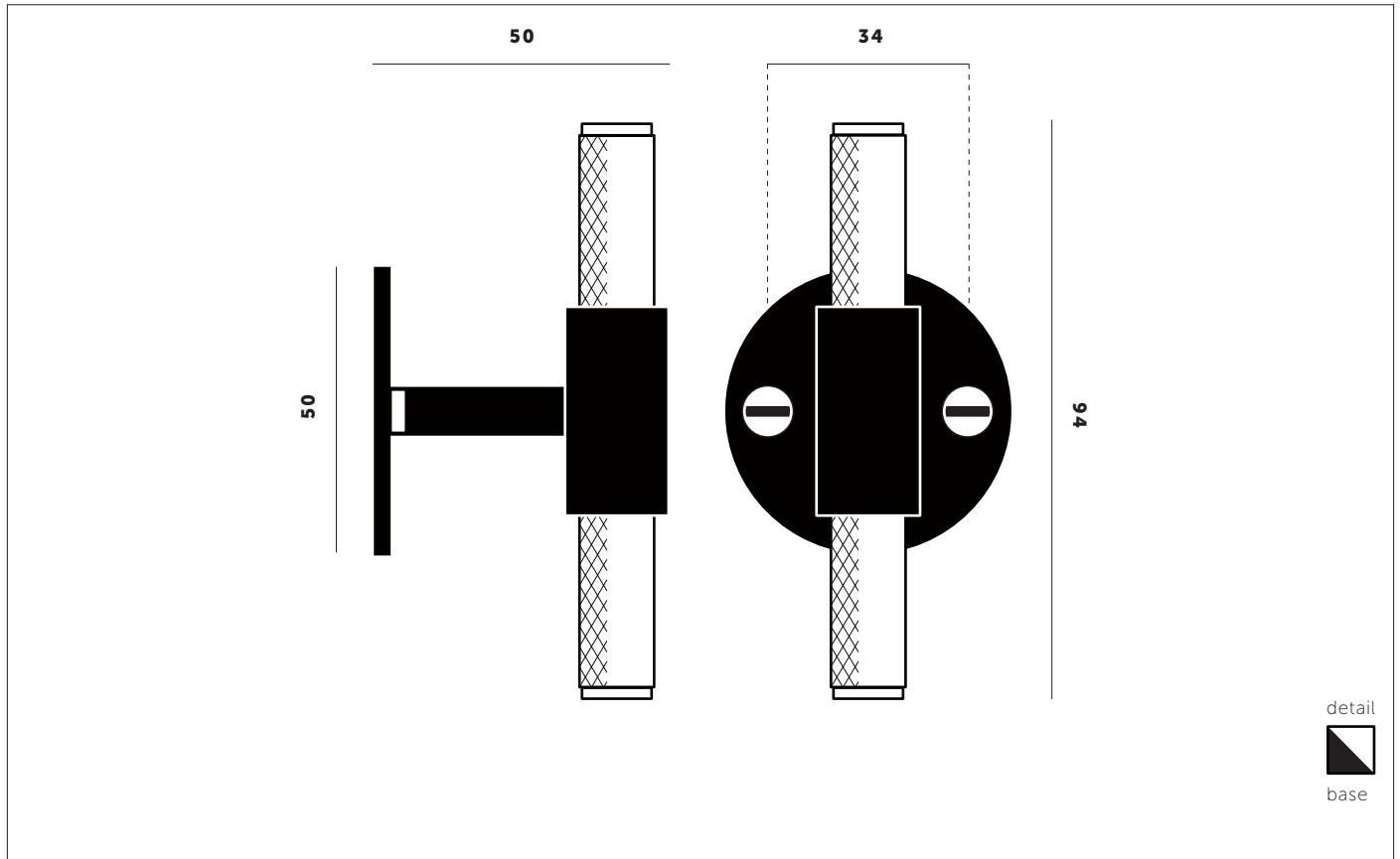
T-BAR


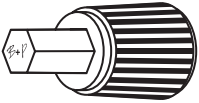
A T-Bar Handle made from solid metal. A solid base with diamond-cut knurled handle detailing, ensuring pleasure with every touch. Works great on cabinet doors, cupboards, kitchen units and just about anything that can open. Available in 12 metal finish combinations using brushed brass, steel, smoked bronze, satin black & matt white metal. Available complete with a circular plate and penny buttons or just nude.

busterandpunch.com
info@busterandpunch.com

BUSTER + PUNCH

T-BAR HANDLE / PLATE



FINISH	PRODUCT SKU	FINISH	PRODUCT SKU	ALSO INCLUDED:
white	TB233	smoked bronze	TB244	2x Coin caps 2x Countersunk screws* 1x Coin cap installation tool**  2 pcs 2 pcs  1 pcs
white / brass	TB230	smoked bronze / brass	TB240	
white / steel	TB231	smoked bronze / steel	TB241	
steel	TB211	black	TB222	
steel / brass	TB210	black / brass	TB220	
brass	TB200	black / steel	TB221	

CARE INSTRUCTIONS

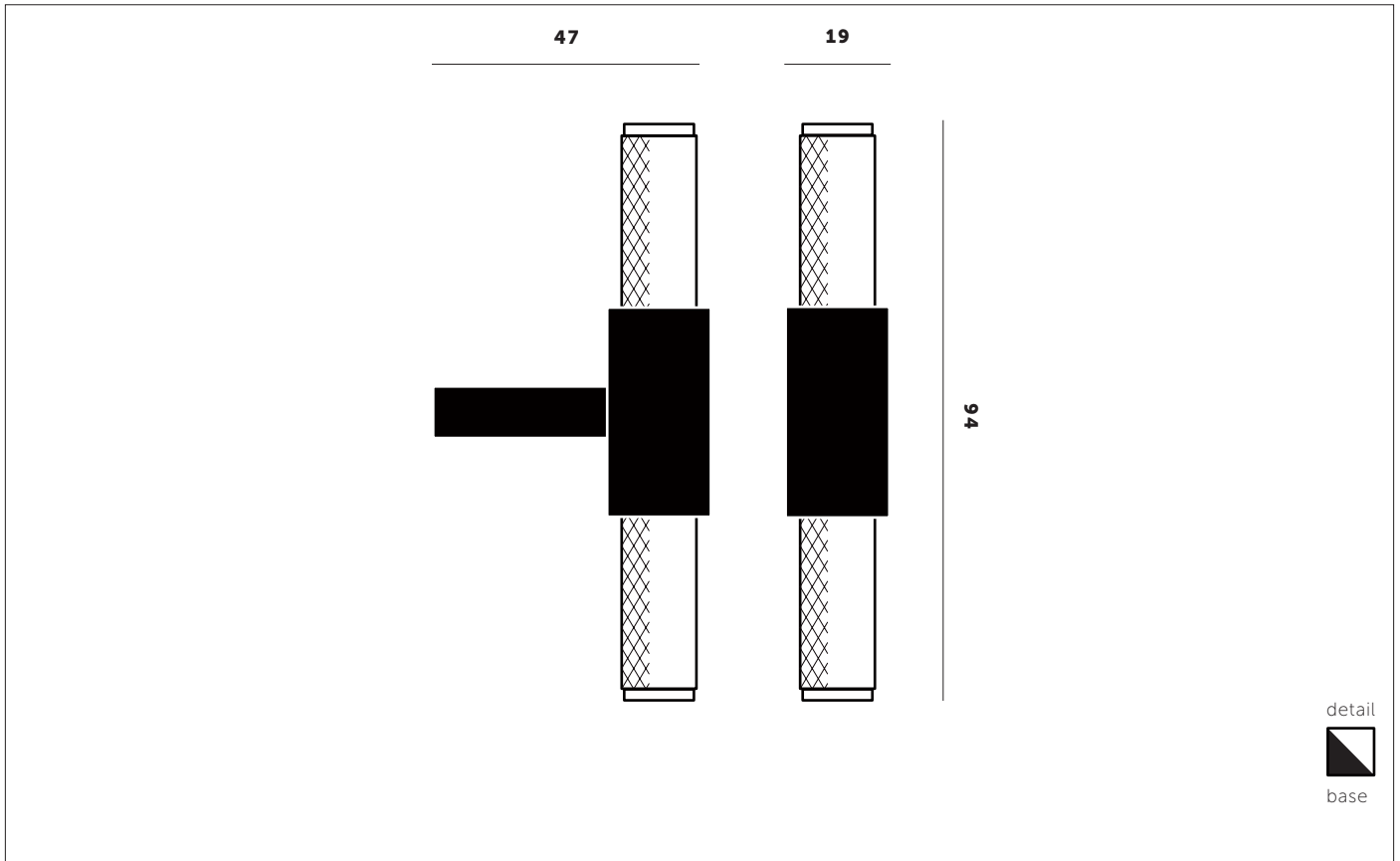
Use mild detergent and soft damp cloth.

* Fits doors & draws of 16mm and thicker. Shorter screws available on request for doors thinner than 16mm.

** Coinscrew tool **must be used by hand only**, not to be used with an electric screwdriver. The screwdriver hex is intended for a hand screwdriver.

BUSTER + PUNCH

T-BAR HANDLE



FINISH	PRODUCT SKU	FINISH	PRODUCT SKU	ALSO INCLUDED:
white	TB033	smoked bronze	TB044	2x Countersunk screws M6 2 pcs
white / brass	TB030	smoked bronze / brass	TB040	
white / steel	TB031	smoked bronze / steel	TB041	
steel	TB011	black	TB022	
steel / brass	TB010	black / brass	TB020	
brass	TB000	black / steel	TB021	

CARE INSTRUCTIONS

Use mild detergent and soft damp cloth.