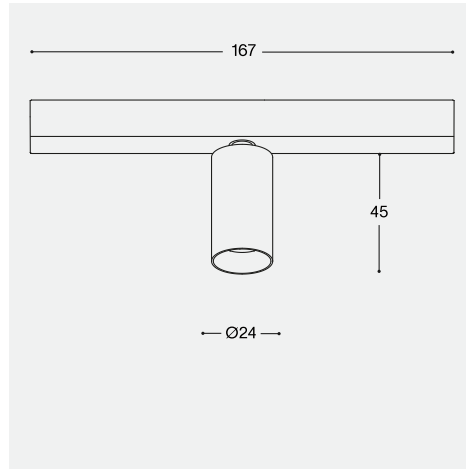


acrotrack micro short



light specs

| | |
|-----------|-------|
| lamp | LED |
| reflector | lens |
| driver | excl. |
| IP | 20 |
| CRI | 97 |
| class | III |

accessories

drivers

| | |
|-------------|-----------------------|
| 8000 - 0024 | 48V track driver 70W |
| 8000 - 0025 | 48V track driver 150W |
| 8000 - 0033 | 48V track driver 240W |

luminaire output

| | 2700K | | | 3000K | | |
|---------------|--------|--------|--------|--------|--------|--------|
| | 10° | 30° | 50° | 10° | 30° | 50° |
| 1050mA (3.2W) | 225 lm | 225 lm | 225 lm | 250 lm | 250 lm | 250 lm |

order number

| | 2700K | | | 3000K | | |
|--------------|-----------|-----------|-----------|-----------|-----------|-----------|
| | 10° | 30° | 50° | 10° | 30° | 50° |
| black ano. | 8000-3429 | 8000-3541 | 8000-3765 | 8000-3430 | 8000-3542 | 8000-3766 |
| white struc. | 8000-3431 | 8000-3543 | 8000-3767 | 8000-3432 | 8000-3544 | 8000-3768 |