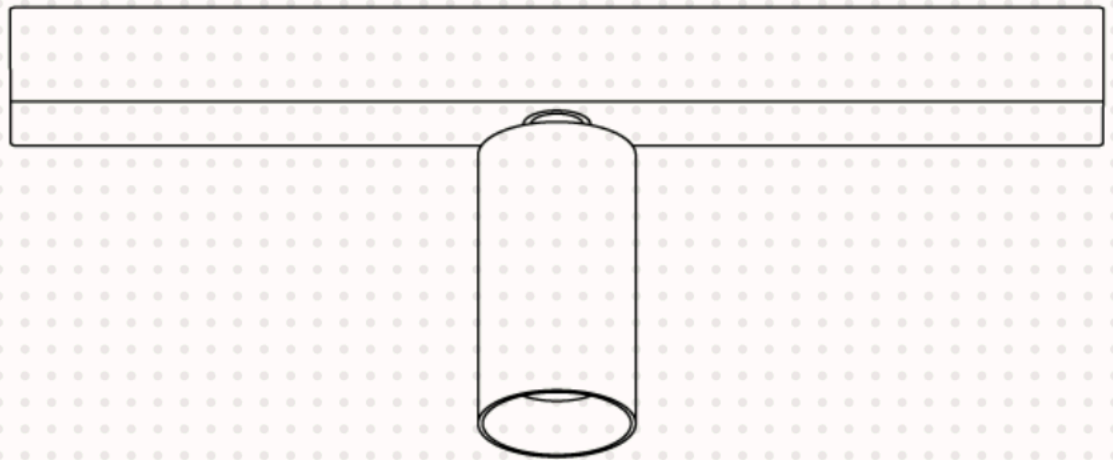


167



45

Ø24

40°  
360°

kg  
0.5