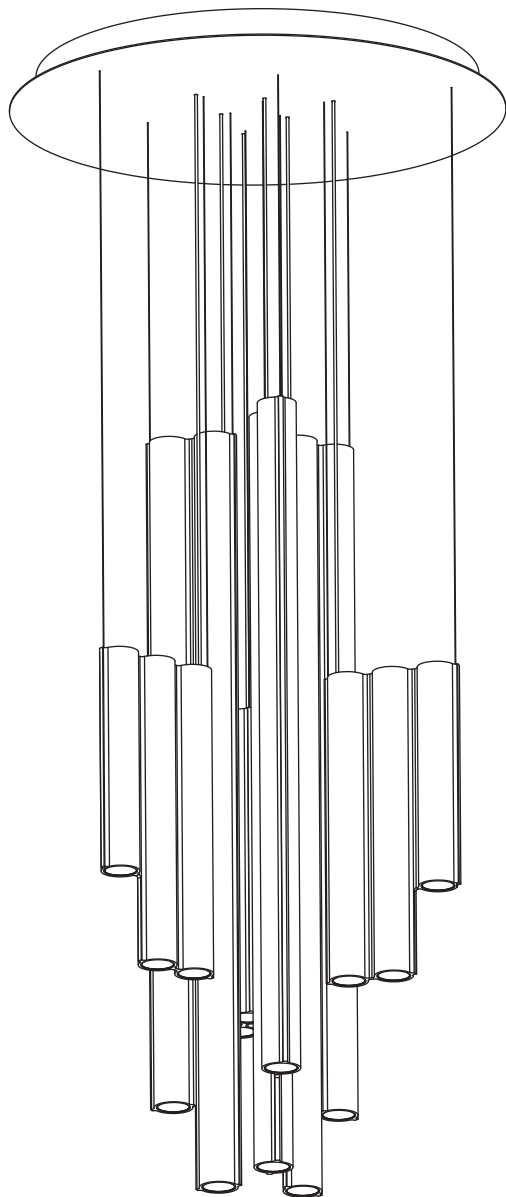


SILO ATELIER 02 - SURFACE MOUNTING



- Please read entire manual before beginning installation
- To be installed by an electrician to an electrical box
- Use appropriate screws where necessary
- Wear enclosed gloves when handling lamp
- Handle materials with care. Please consult lamp maintenance sheet on our web site



**Never turn on power supply
until installation is completed**

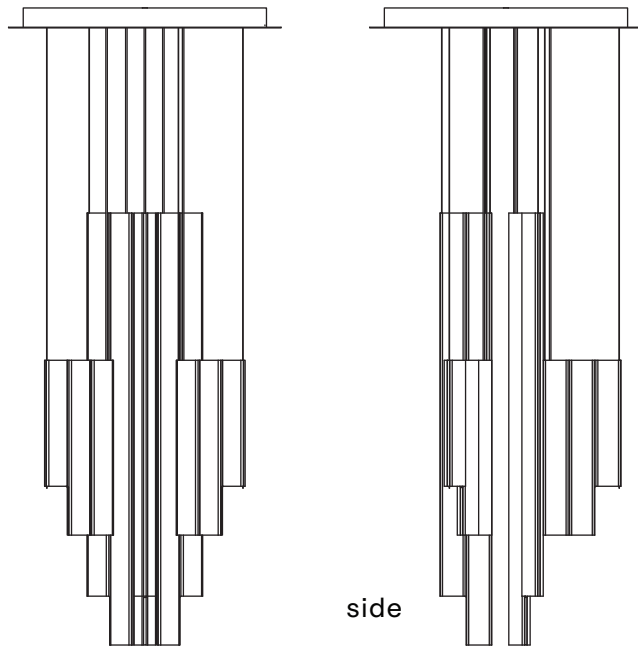
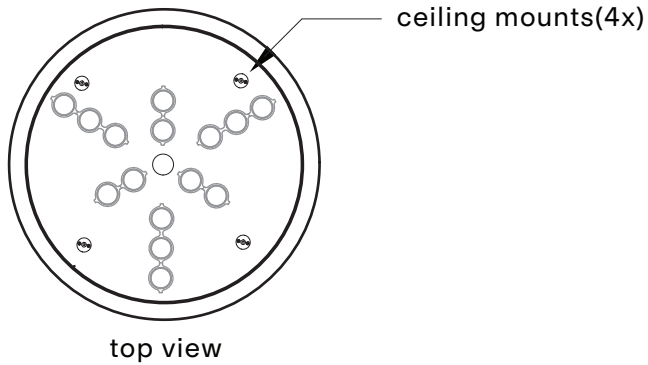


**Keep luminaires wrapped
until the end of the installation**

1

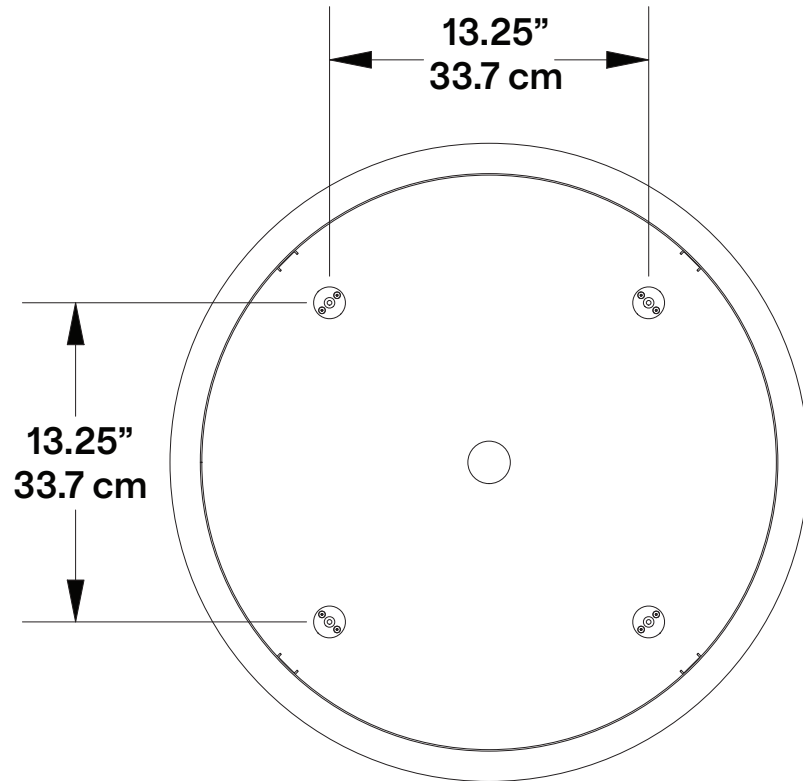
Chose the orientation of the fixture

Make sure you have the desired orientation before proceeding.
The luminaire is not symmetric.



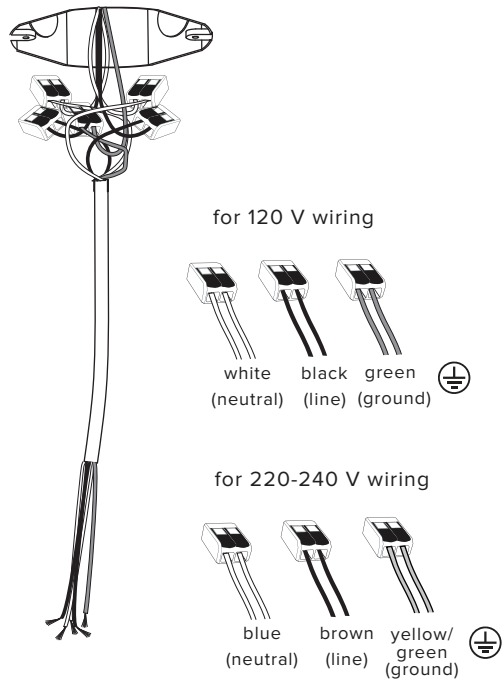
2

Mark ceiling mounting points

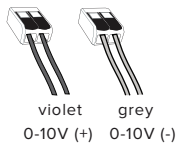


3

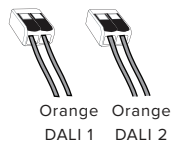
Connect the extension harness to the junction box (if provided)



0-10V Dimming (if equipped)

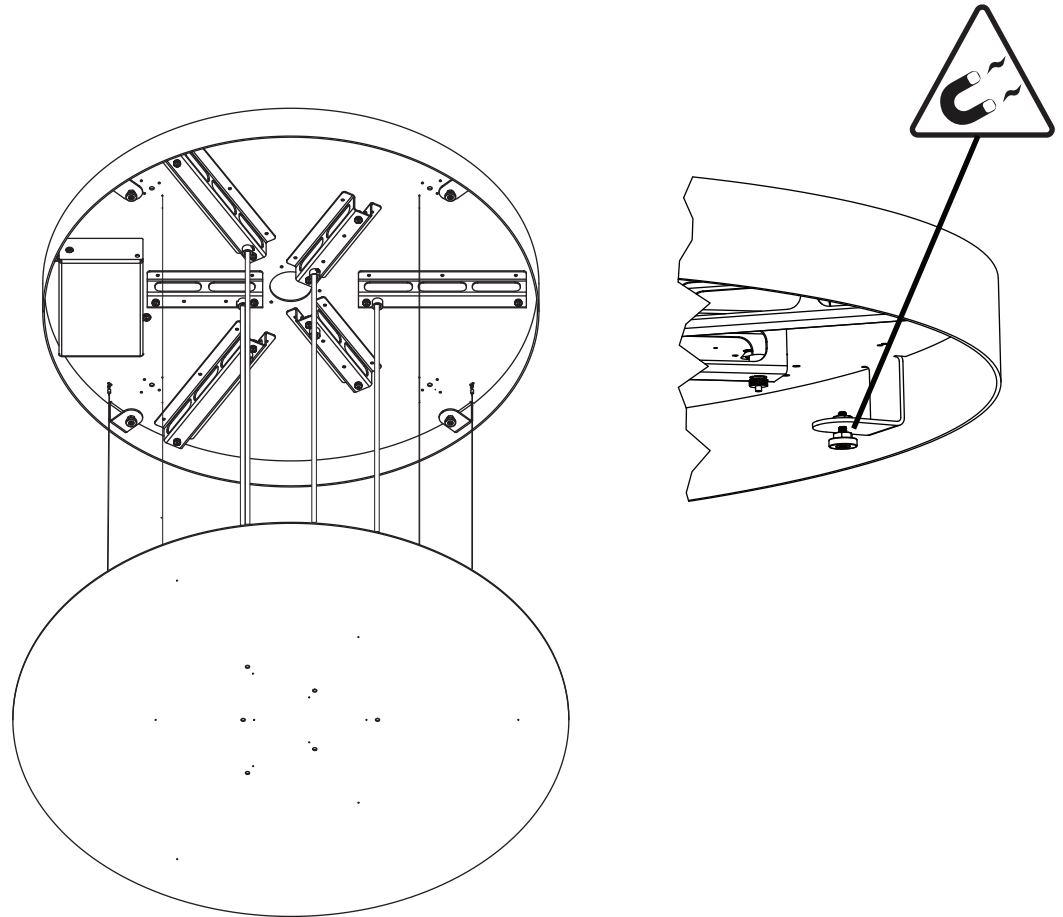


DALI Dimming (If equipped)



4

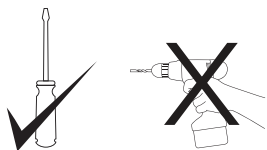
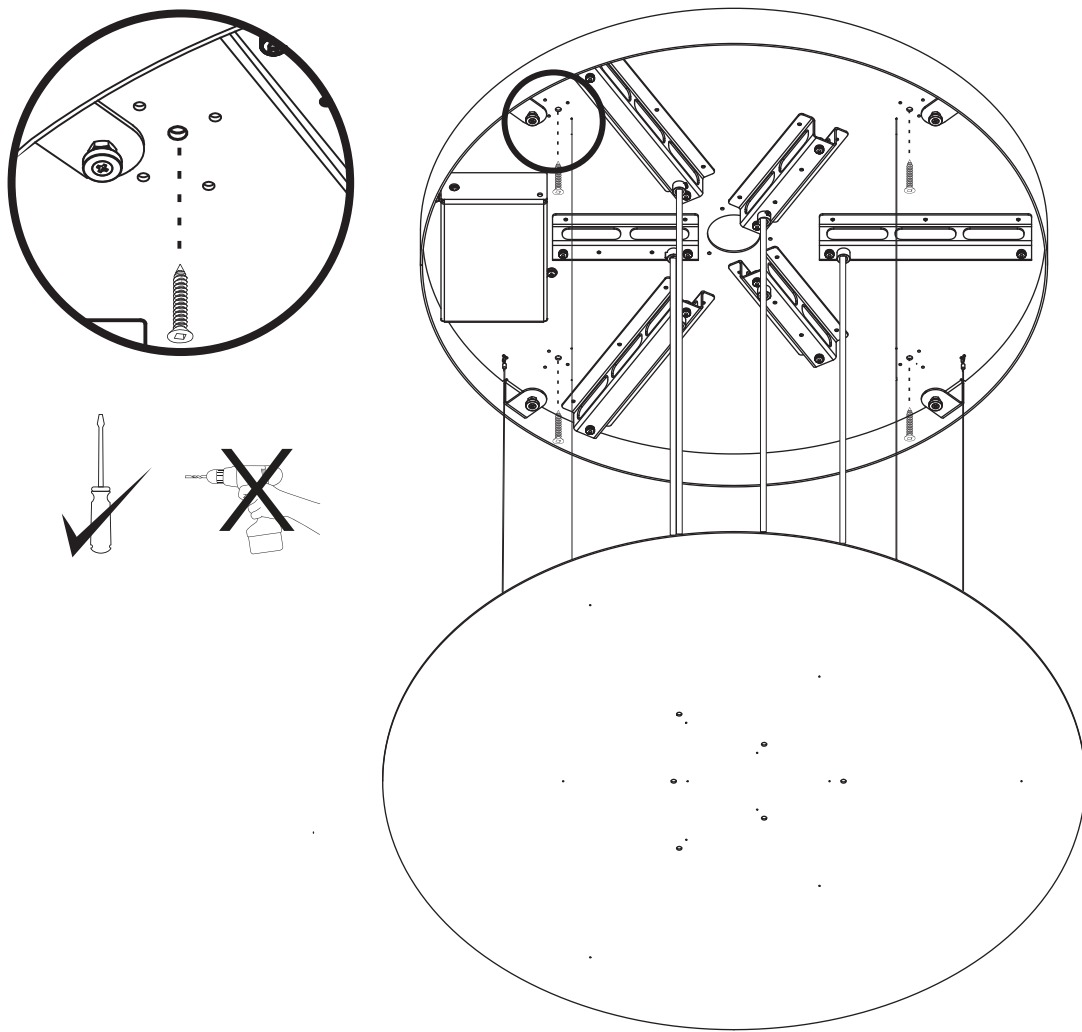
Open canopy cover by untying luminaire's wires. It is held in place by magnets and suspended by stainless steel cables in order to facilitate assembly.



5

Mount the canopy using 4 screws (not provided).
Use proper anchors for ceiling material.

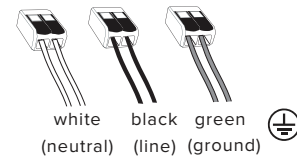
Carefully feed extension harness through central opening.



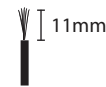
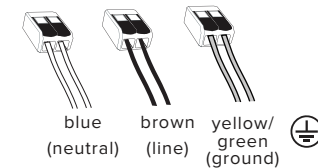
6

Make connections from canopy
to extension harness

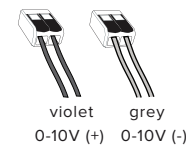
for 120 V wiring



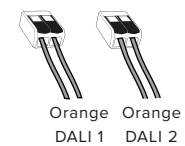
for 220-240 V wiring



0-10V Dimming (if equipped)

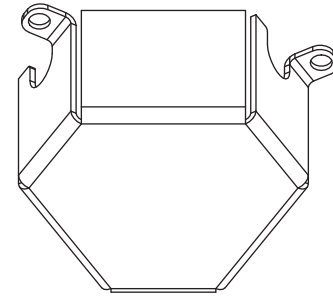


DALI Dimming (If equipped)

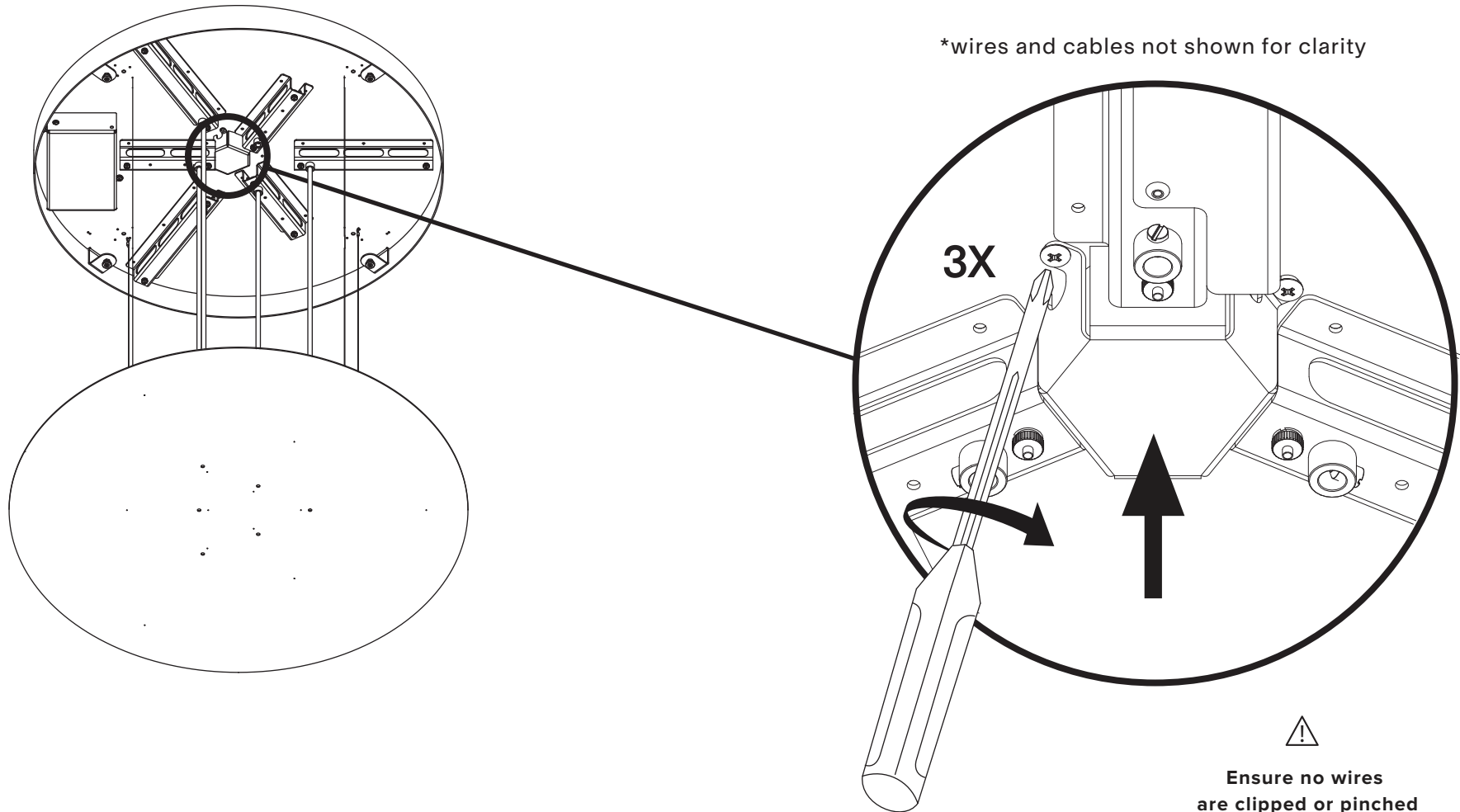


7

Enclose the wiring using the provided mini junction box. It is shipped loose from the canopy.



*wires and cables not shown for clarity

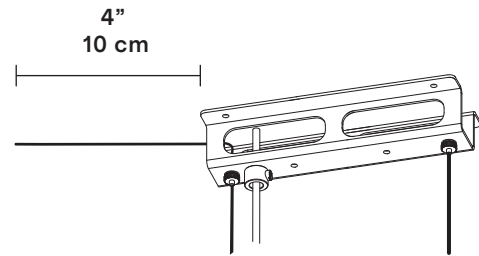
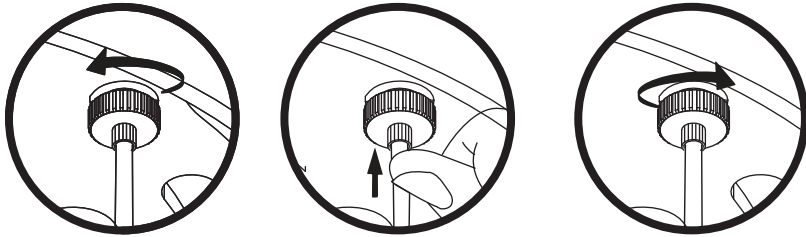


⚠
Ensure no wires are clipped or pinched during these steps.

INSTALL LUMINAIRES

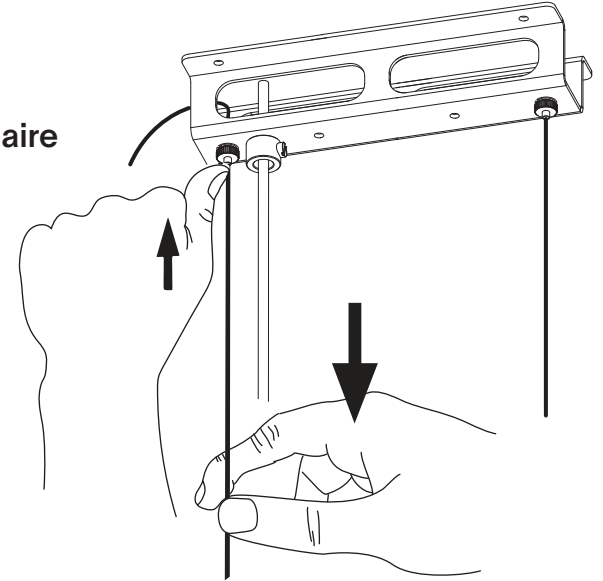
8

Losen lock, pass wire, make adjustments and retighten lock to secure cable.

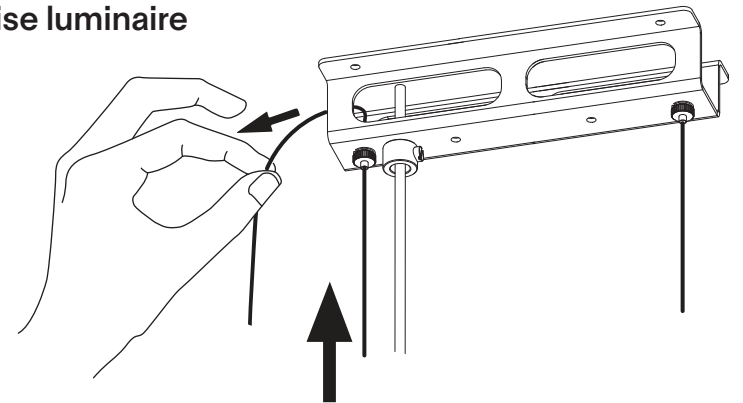


Leave at least 4" after the gripper

to lower luminaire



to raise luminaire

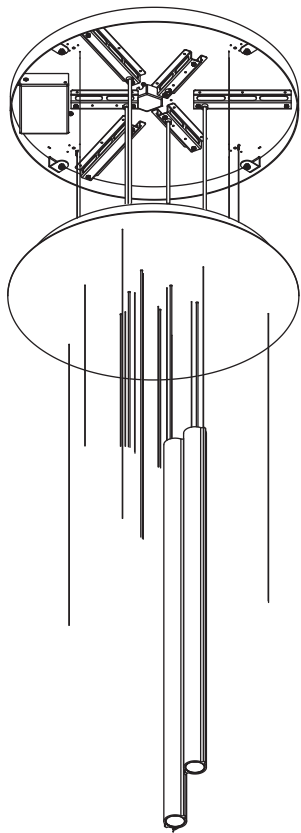


9

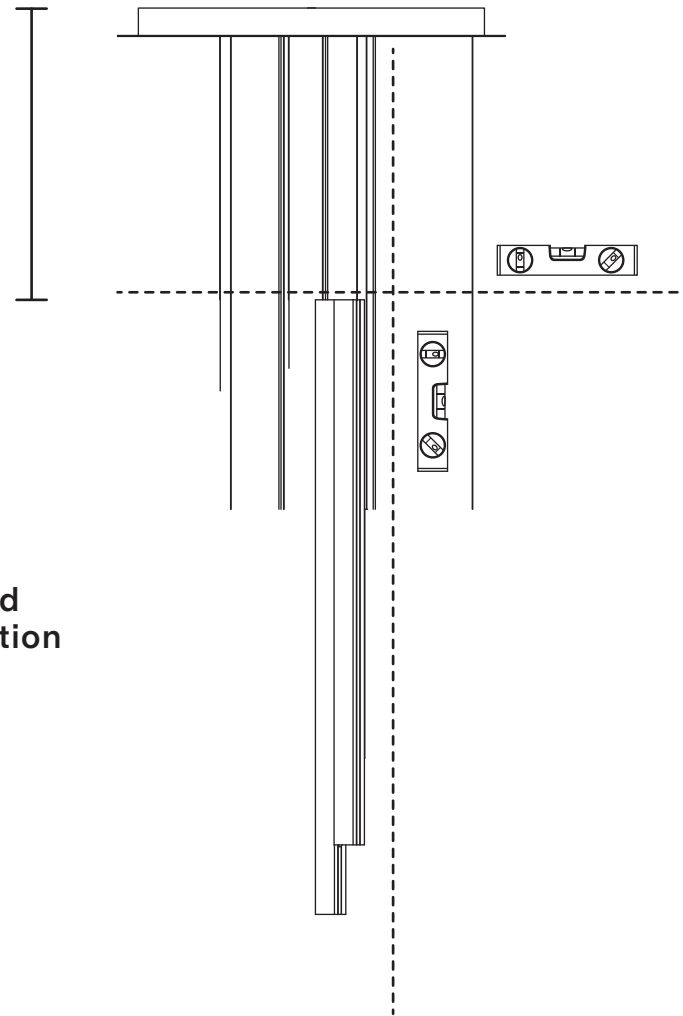
Make sure the first luminaire is level and adjusted at the right height before installing the others.

The other luminaires will be adjusted in relation to the first one. Use height guide on the following page to achieve the correct height and configuration.

Repeat these steps for the remaining luminaires working your way outwards from the center of the canopy.

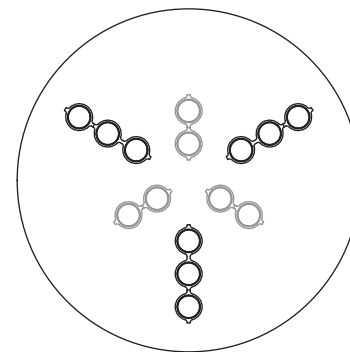
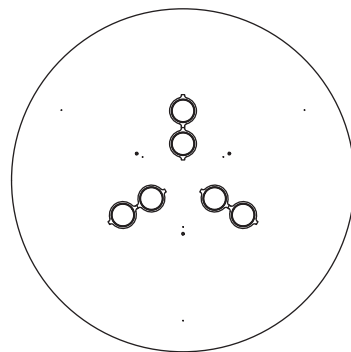
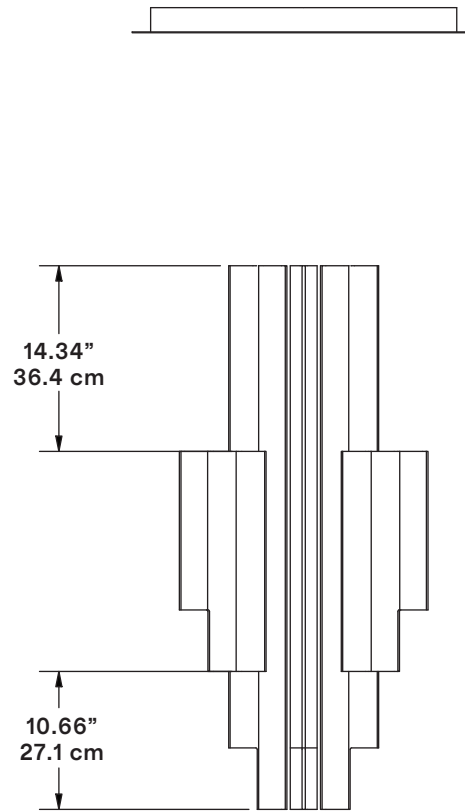
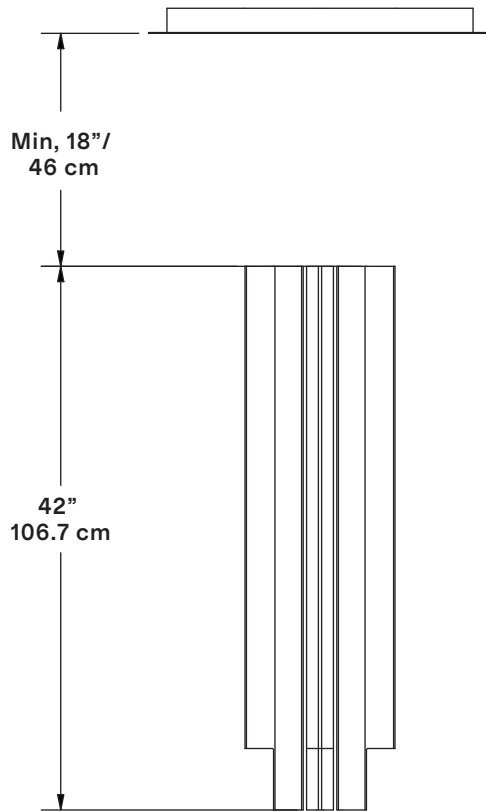


18" minimum

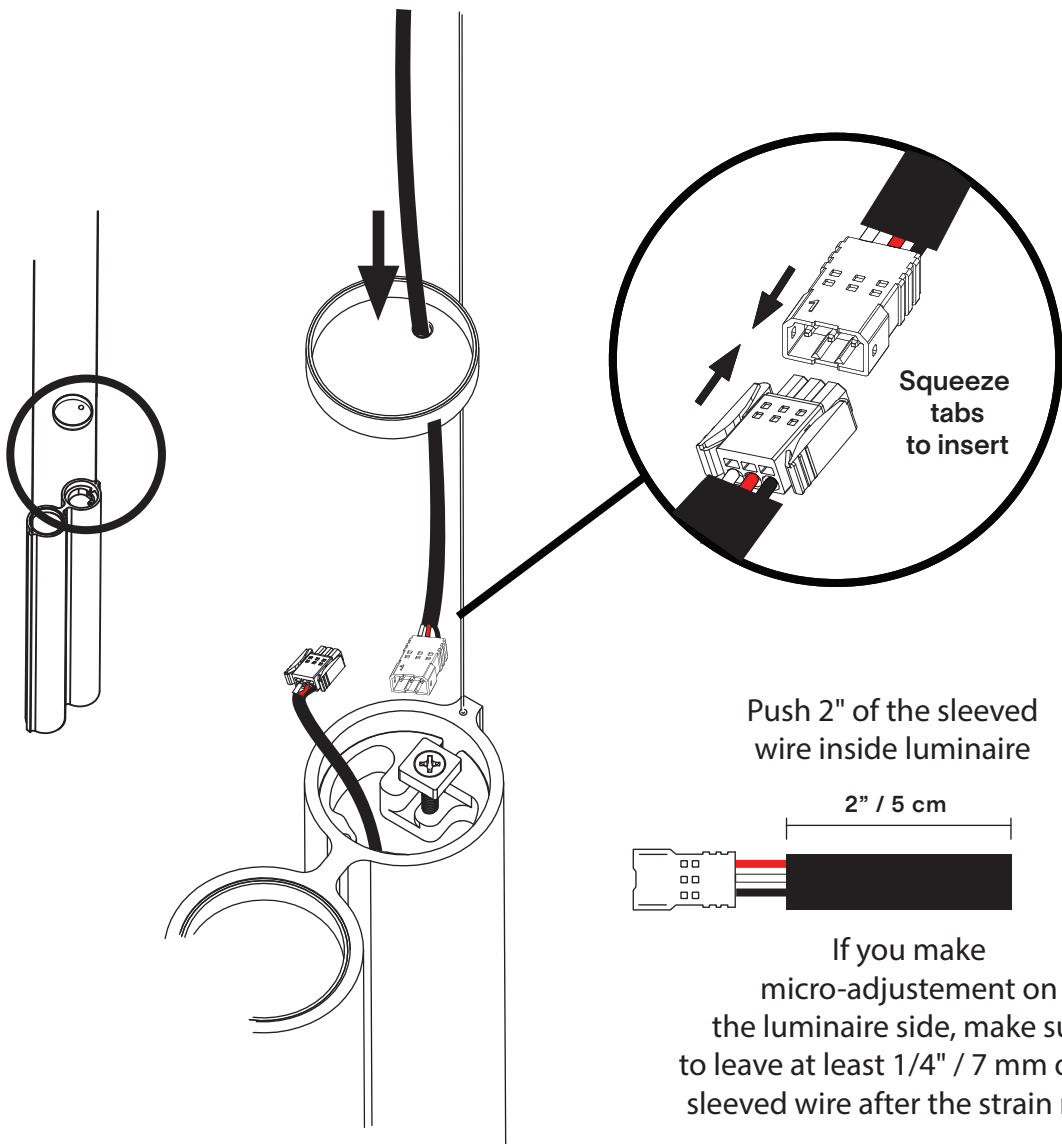


Keep luminaires wrapped until the end of the installation

Height reference guide



10



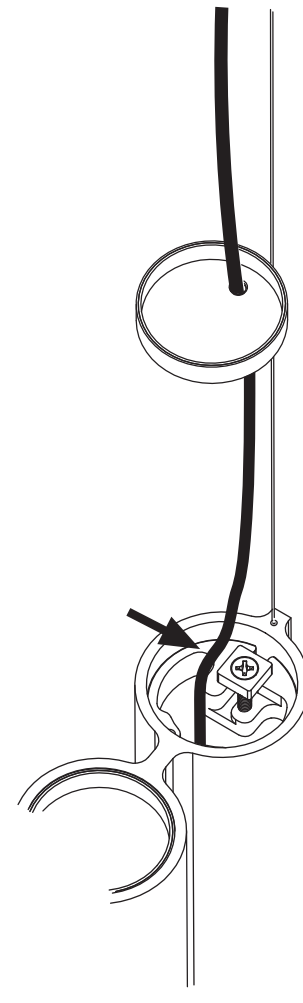
Push 2" of the sleeved wire inside luminaire

2" / 5 cm

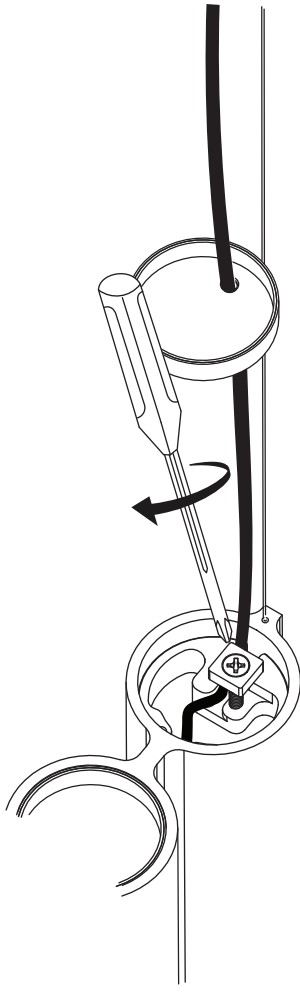


If you make micro-adjustment on the luminaire side, make sure to leave at least 1/4" / 7 mm of the sleeved wire after the strain relief.

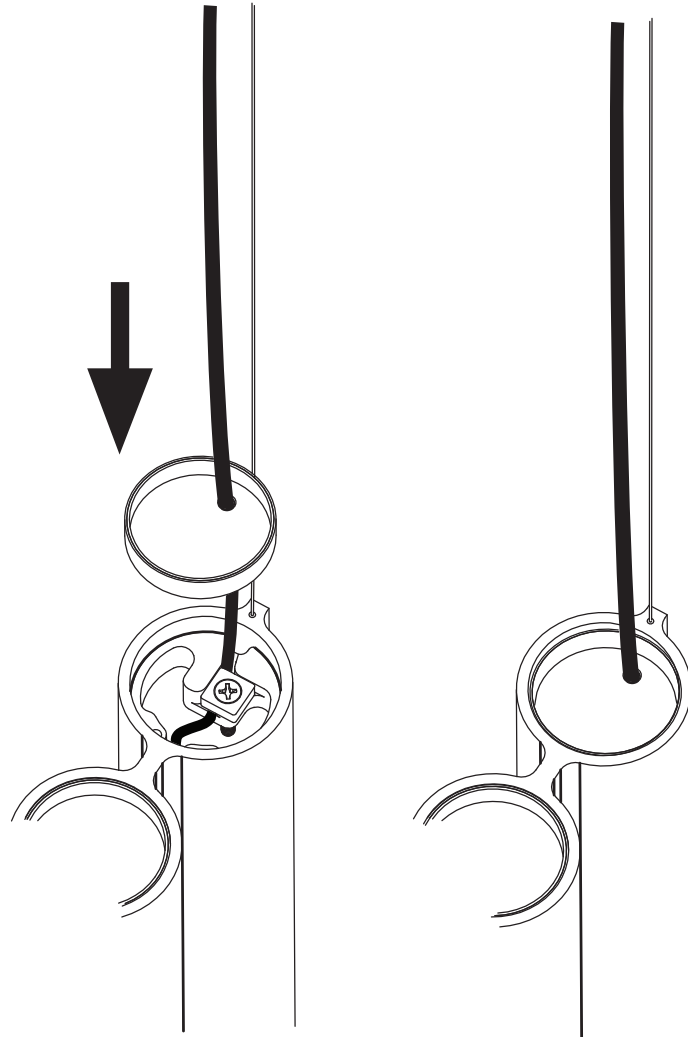
11



12

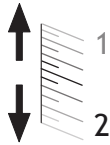
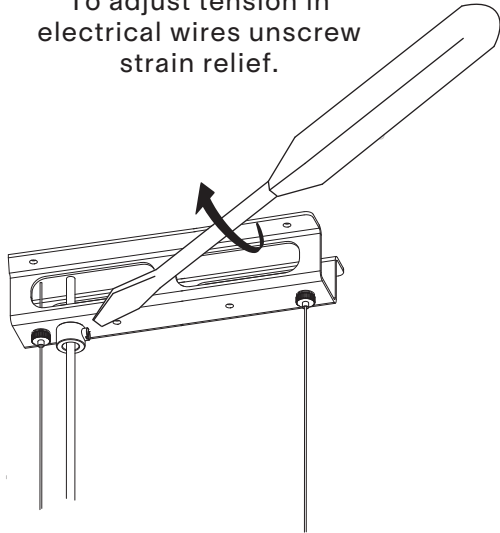


13



14

To adjust tension in electrical wires unscrew strain relief.



Micro-adjustments cannot exceed 1" / 2.5cm down.

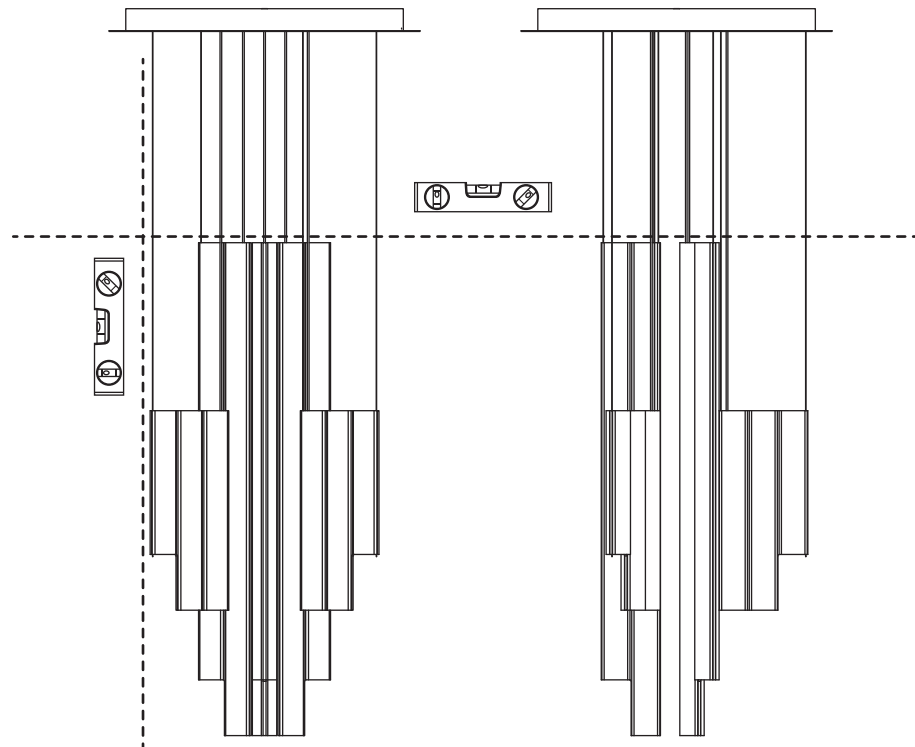
Be careful not to disconnect any of the connections in the connectors.

SCREW GENTLY BUT FIRMLY

15

Ensure all luminaires are balanced and level before closing the canopy.

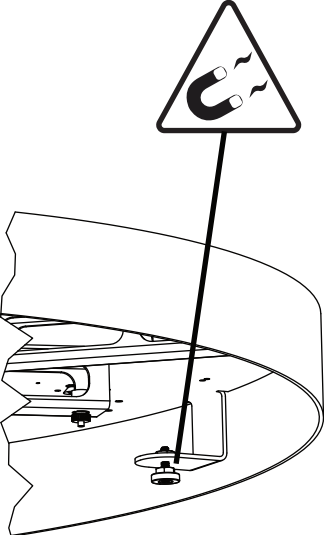
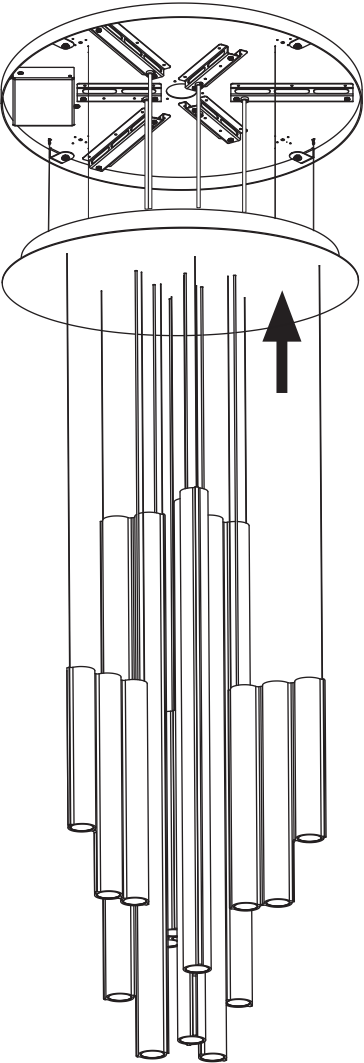
Make adjustments to the wire and stainless steel cable - refer to previous steps.



16

Raise the canopy cover.
It is held in place with magnets.

Be careful not to pinch the wires
and stainless steel cables.



Make sure no wires are
under the magnet when
closing the cover.