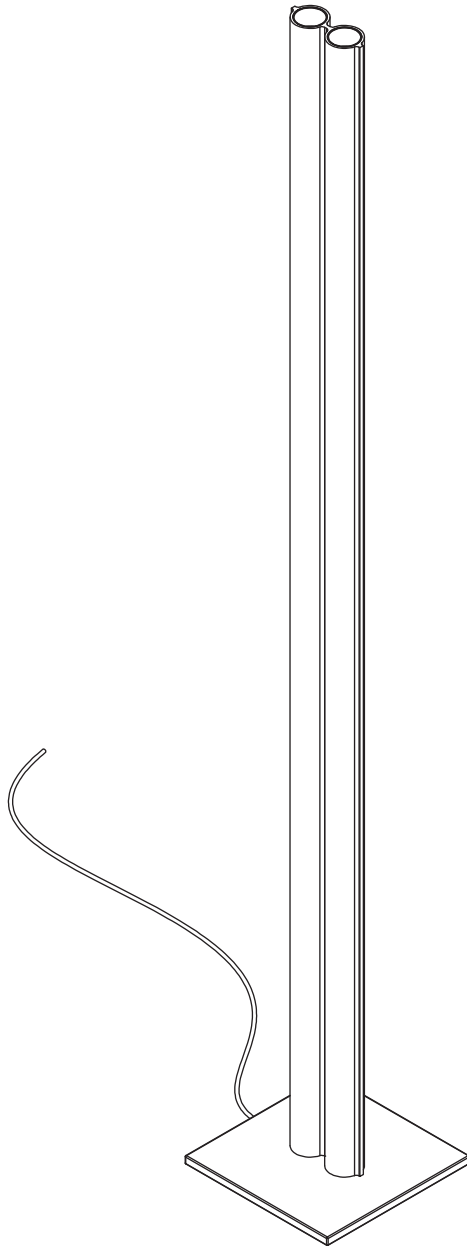
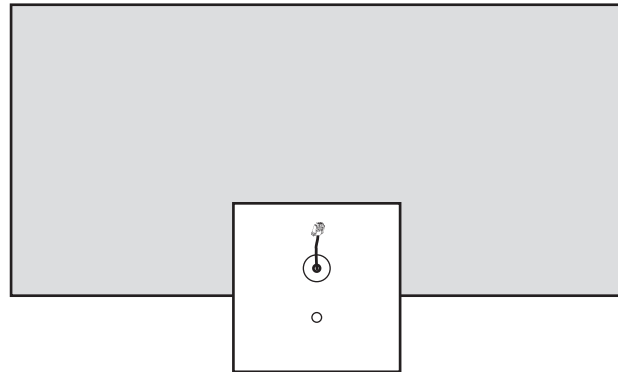

SILO FLOOR 2FG



- Wear enclosed gloves when handling lamp
- Handle materials with care. Please consult lamp maintenance sheet on our web site
- Should be used exclusively as a lamp and not as a shelving, display or hanging unit

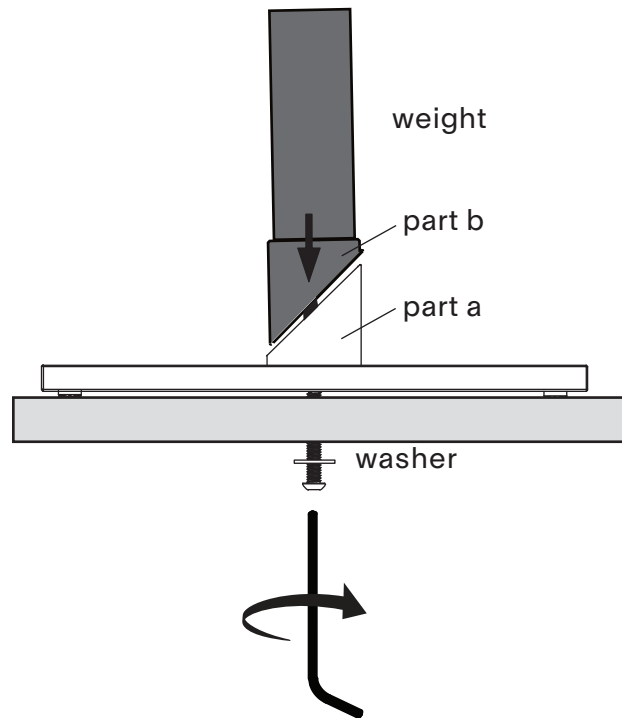
1

Place the base on a table top with the hole over the edge of the surface. Be sure to hold the base securely, it is not balanced.



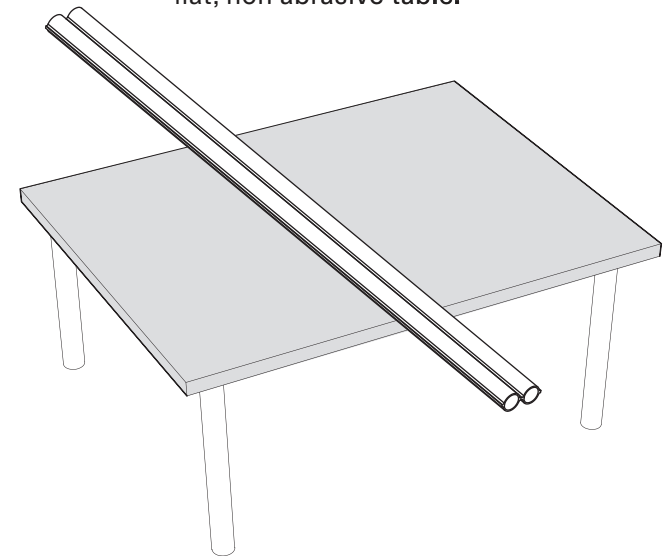
2

Install the weight onto the base. Do not screw it entirely. The weight should have some play side to side and not be straight up.



3

Lay the luminaire on a flat, non abrasive table.



4

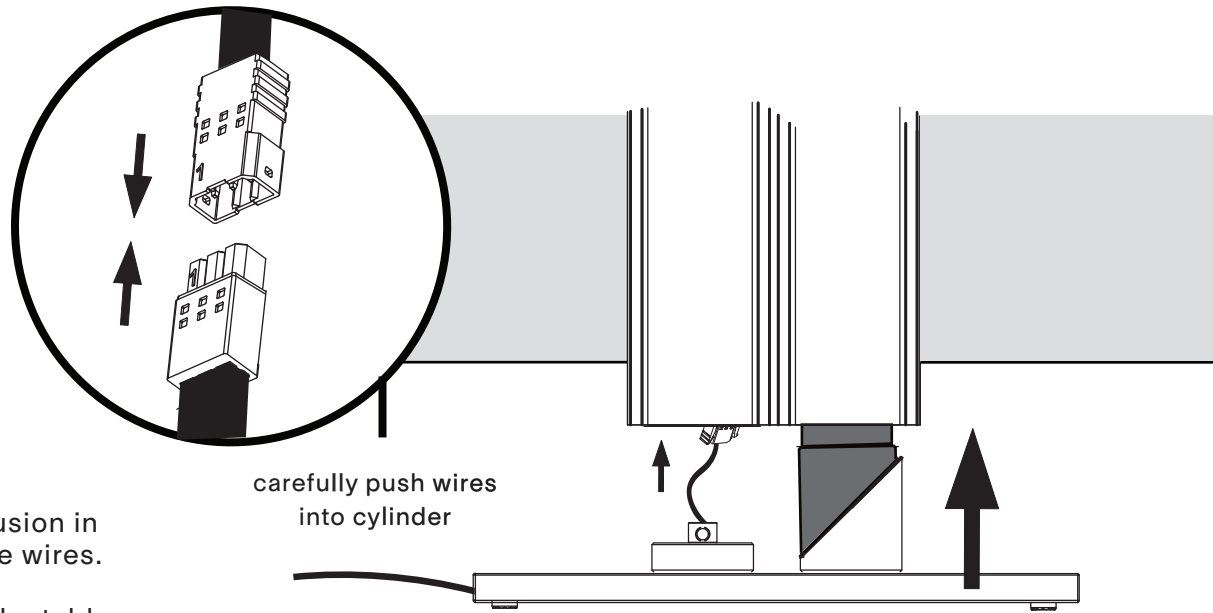
Push the weight partially into the extrusion in order to make connection. Connect the wires.

While holding the base off the edge of the table, gently slide the weight all the way into the extrusion and screw beneath the base to secure assembly. Hold the weight securely while doing this.

The screw should stop. Screw tightly.



Put pressure on the extrusion to ensure there is no gap between the base and extrusion



carefully push wires into cylinder

