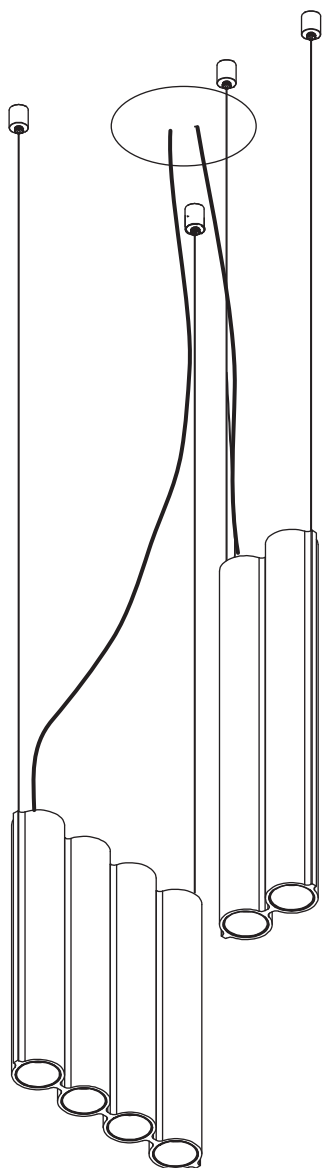

SILO 10 220-240V

Recessed canopy
Plenum (non insulated) or remote installation



- Please read entire manual before beginning installation
- To be installed by an electrician
- Use appropriate screws where necessary
- Wear enclosed gloves when handling lamp
- Handle materials with care. Please consult lamp maintenance sheet on our web site

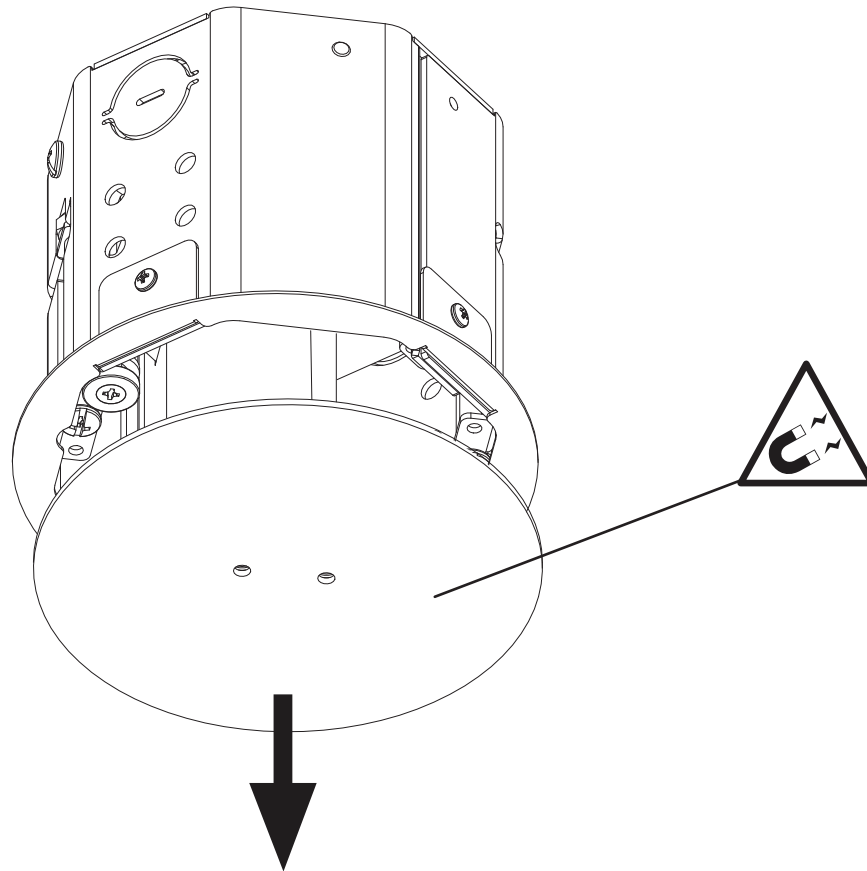


**Never turn on power supply
until installation is completed**

1

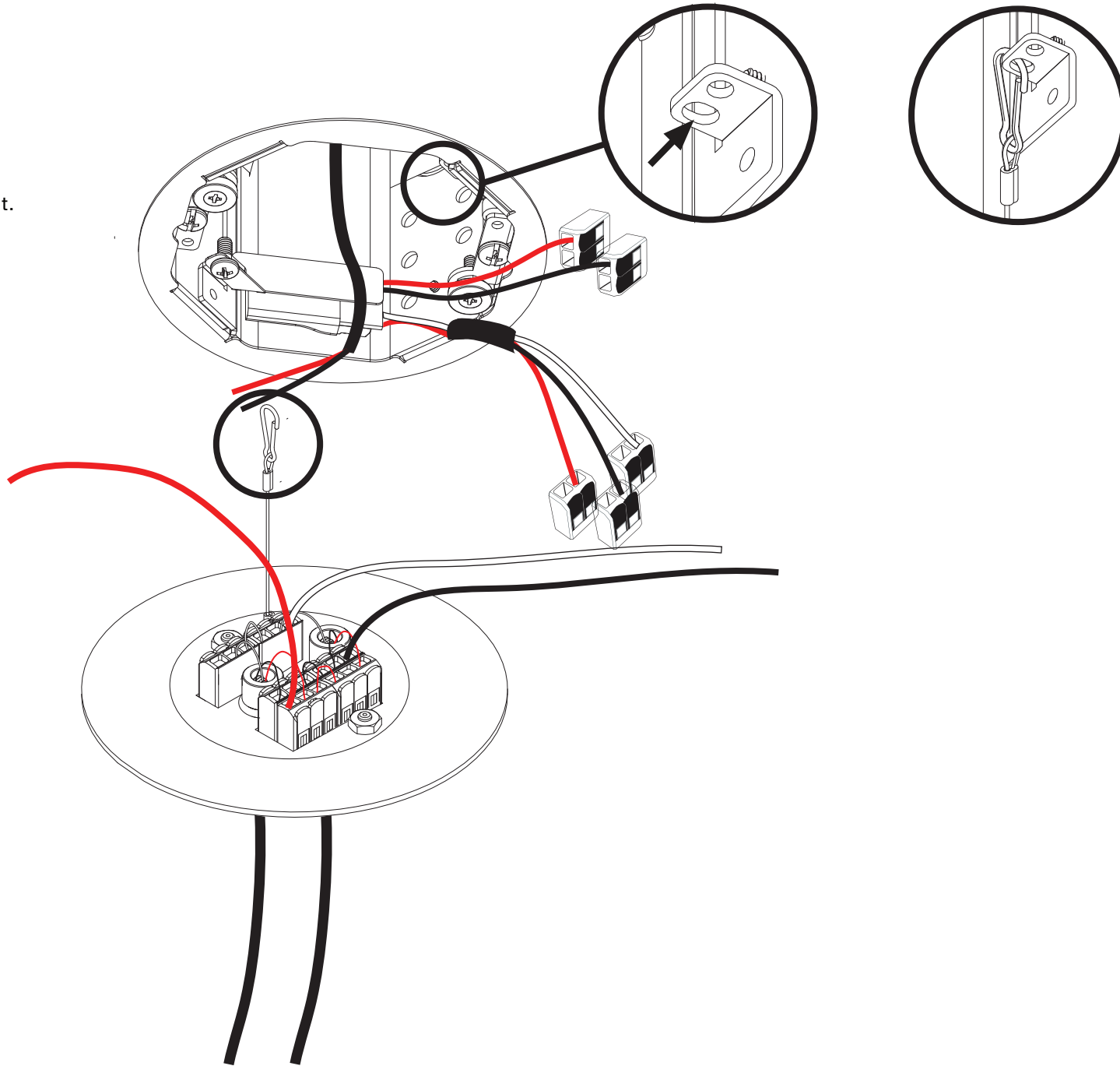
Remove Octobox cover plate.

Refer to:
Annex (independent driver) - page 11



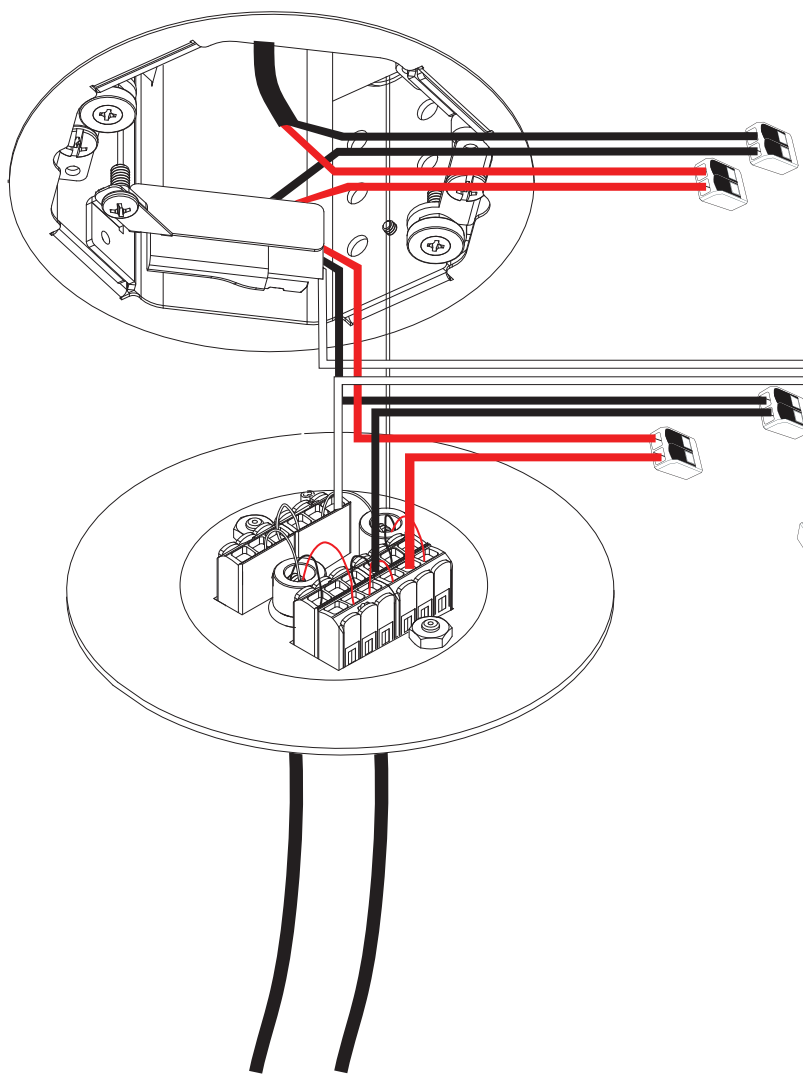
2

Clip canopy cover
to octobox to secure it.

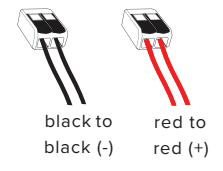


3

Make connections.

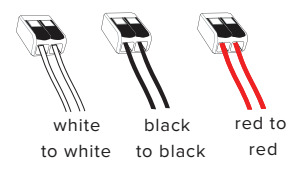


To Driver:

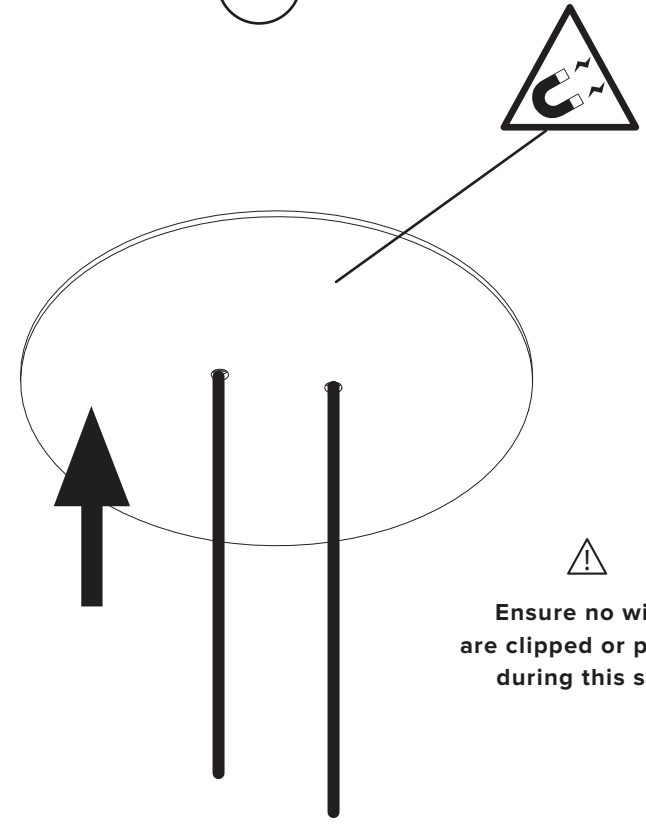


11mm

To luminaire:



4



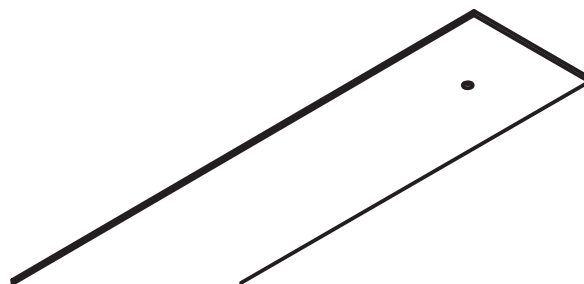
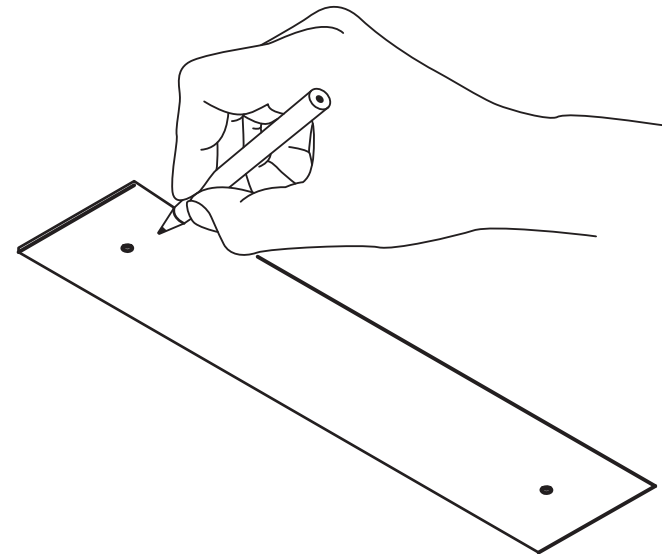
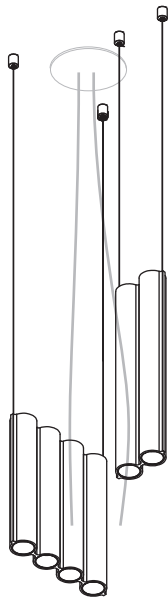
⚠
 Ensure no wires
 are clipped or pinched
 during this step.

5

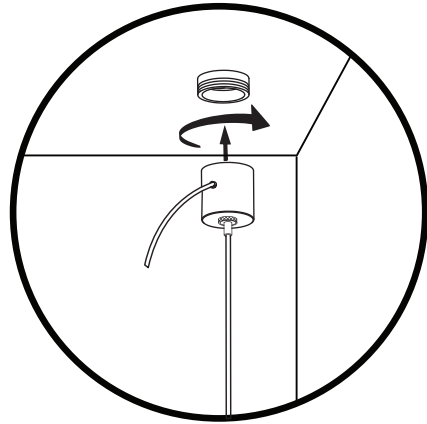
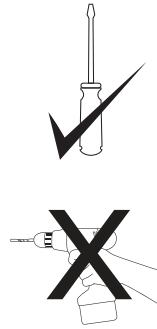
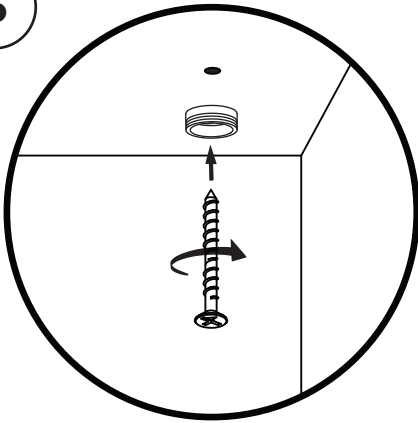
After the recessed canopy is installed, carefully replace the cover plate making sure no wires are clipped or pinched.

Use the templates provided at the end of the manual to position the luminaire and to mark your anchor locations.

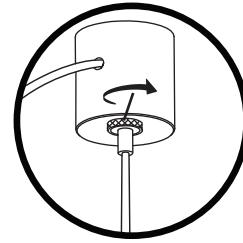
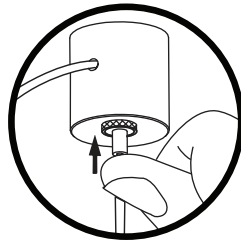
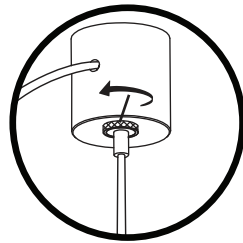
Note that the cord side of the luminaire should be positioned closest to the canopy.



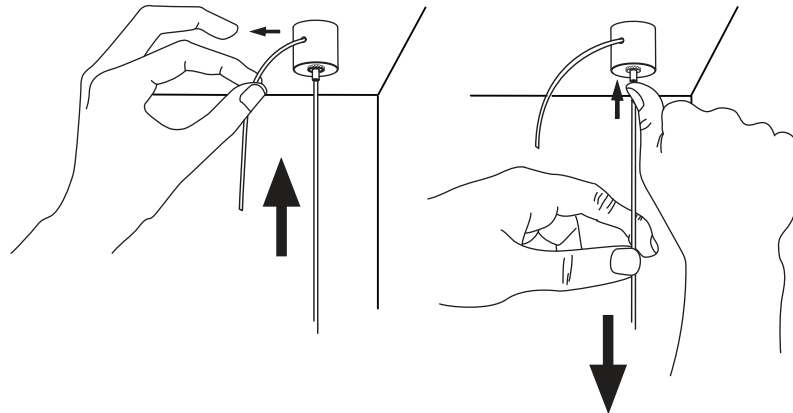
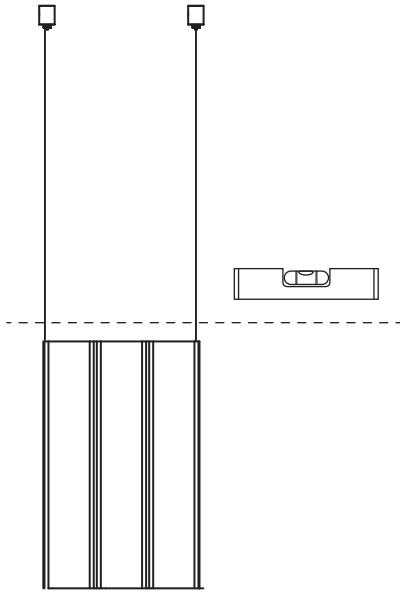
6



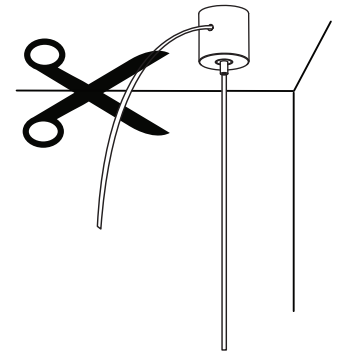
7



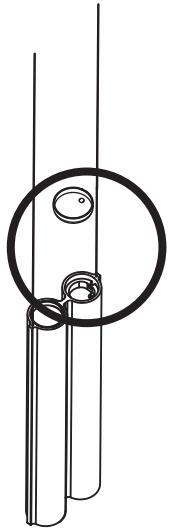
Losen lock, pass wire, make adjustments
and retighten lock to secure cable.



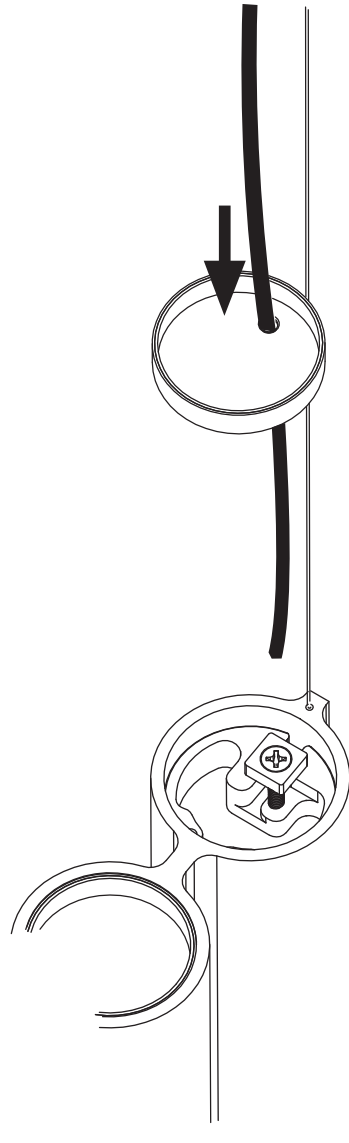
Cut stainless steel cables
ONLY after installation is complete
and luminaires are level.



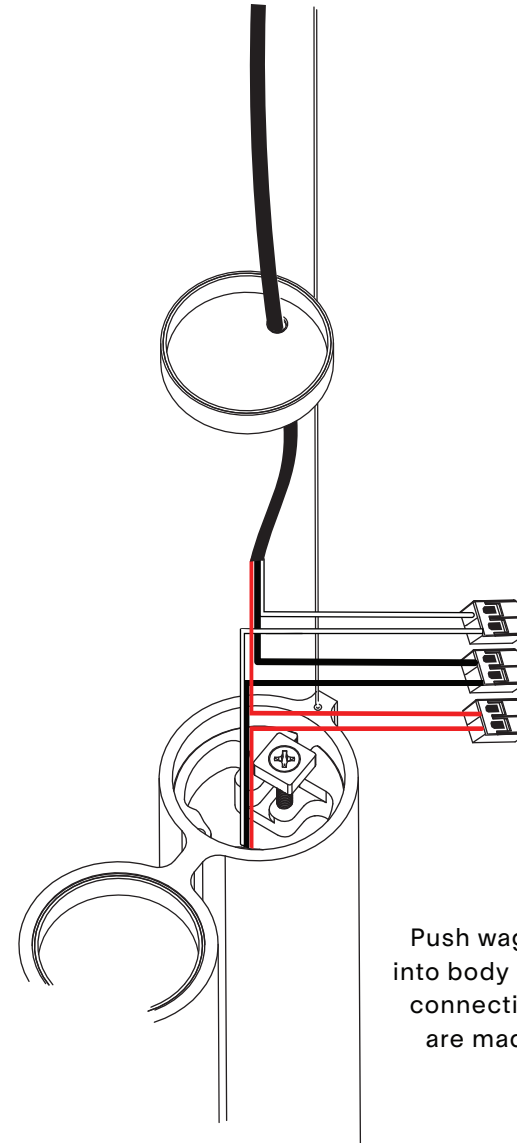
Choose canopy cords closest to luminaire.



8



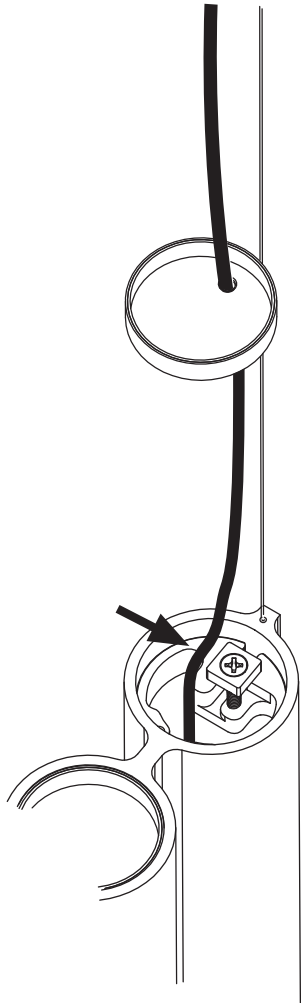
9



white to white
black to black
red to red

Push wagos into body after connections are made

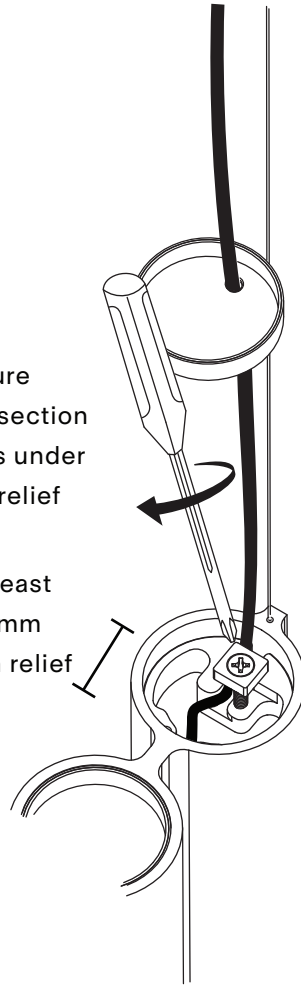
10



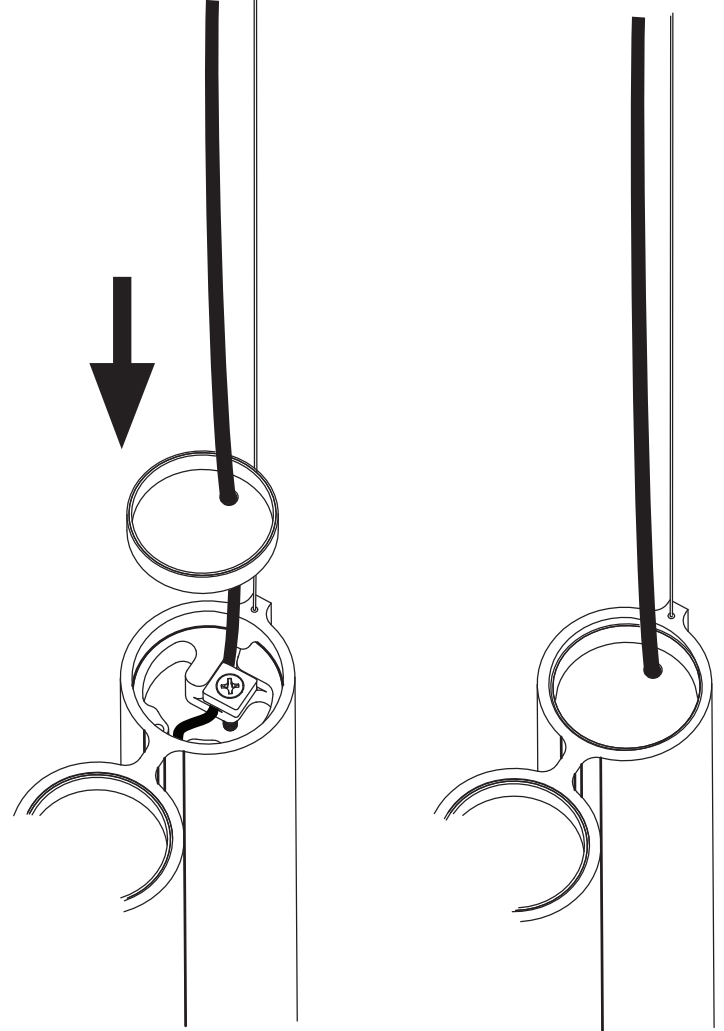
11

Make sure
the sleeved section
of the wire is under
the strain relief

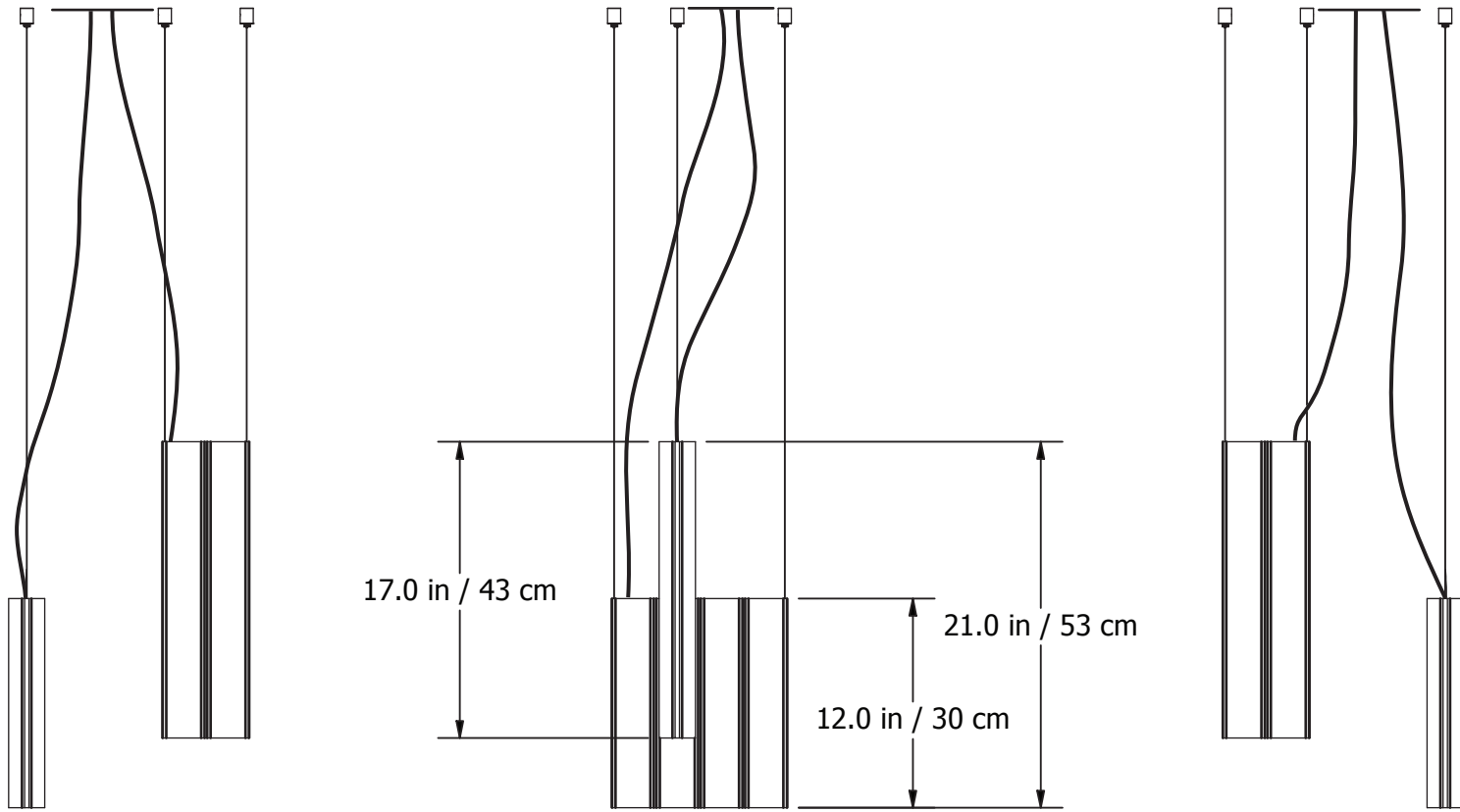
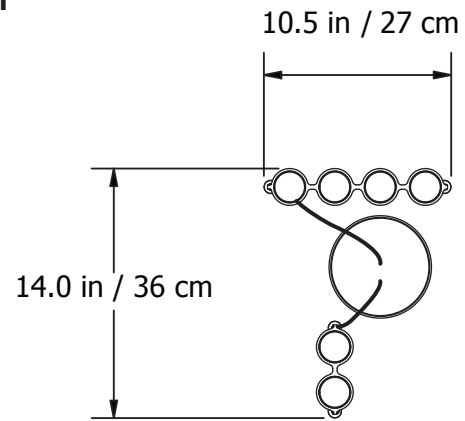
leave at least
1/4" / 7mm
after strain relief

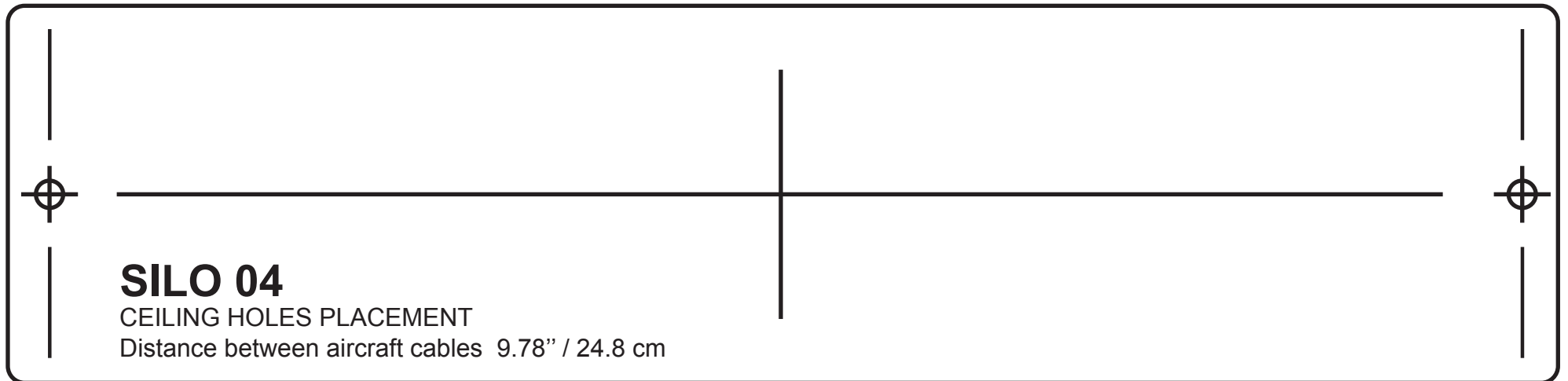
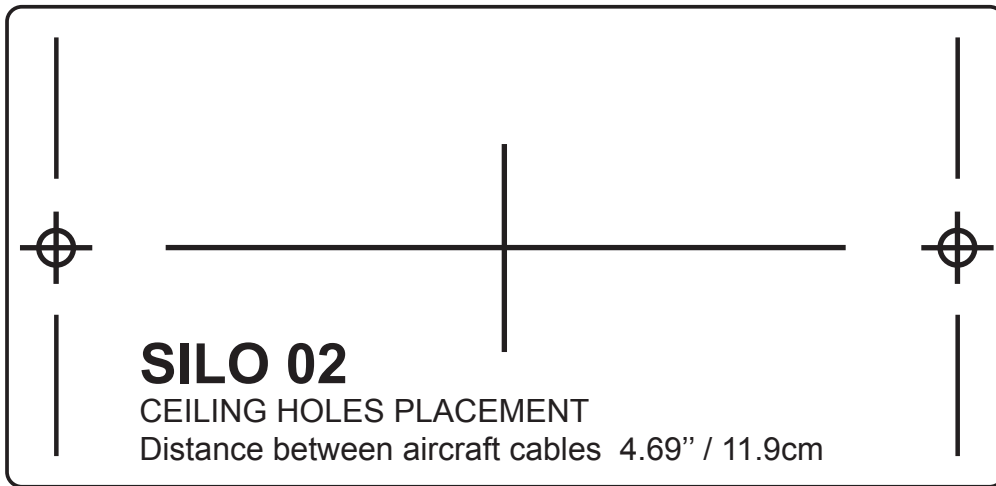


12



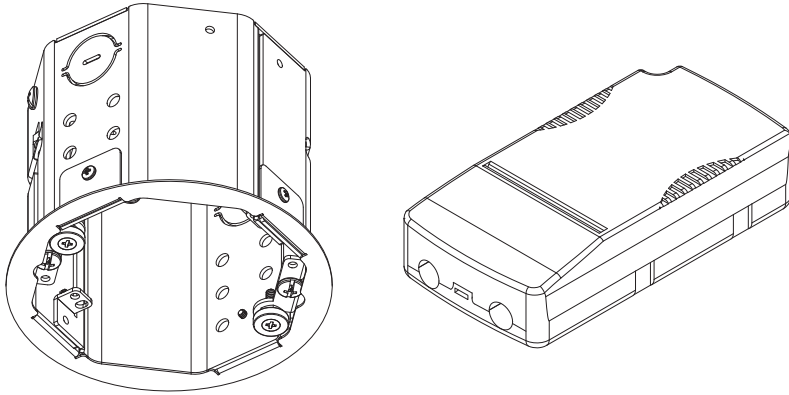
Recommended installation plan






RECESSED CANOPY INSTALLATION

Octobox with independent driver

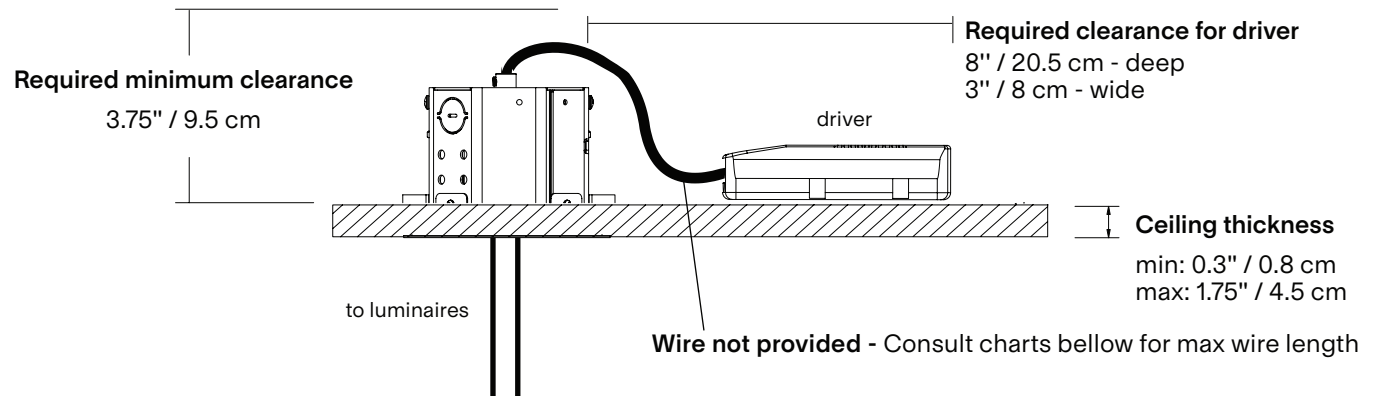




- Please read entire manual before beginning installation
- To be installed by an electrician
- Use appropriate screws where necessary
- For non-insulated hollow ceiling
- Wires for plenum not provided

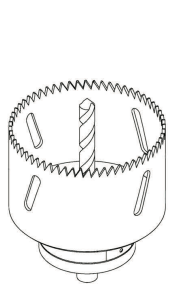
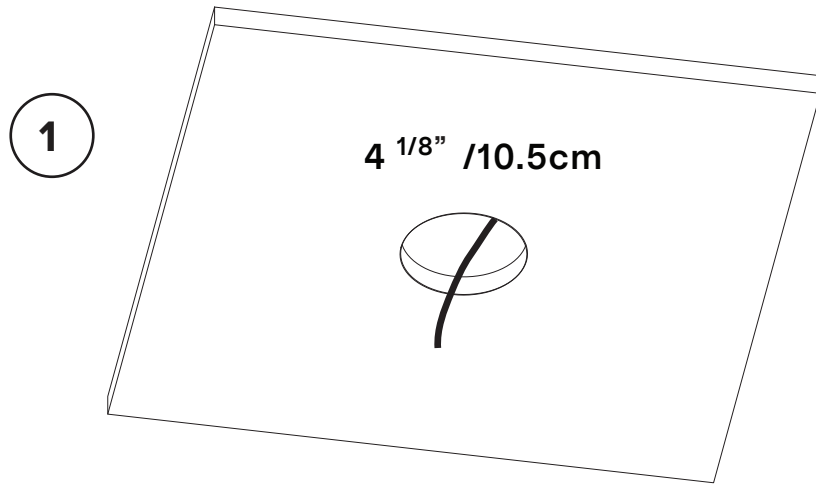


For remote driver installation
Consult chart below for max wire length.

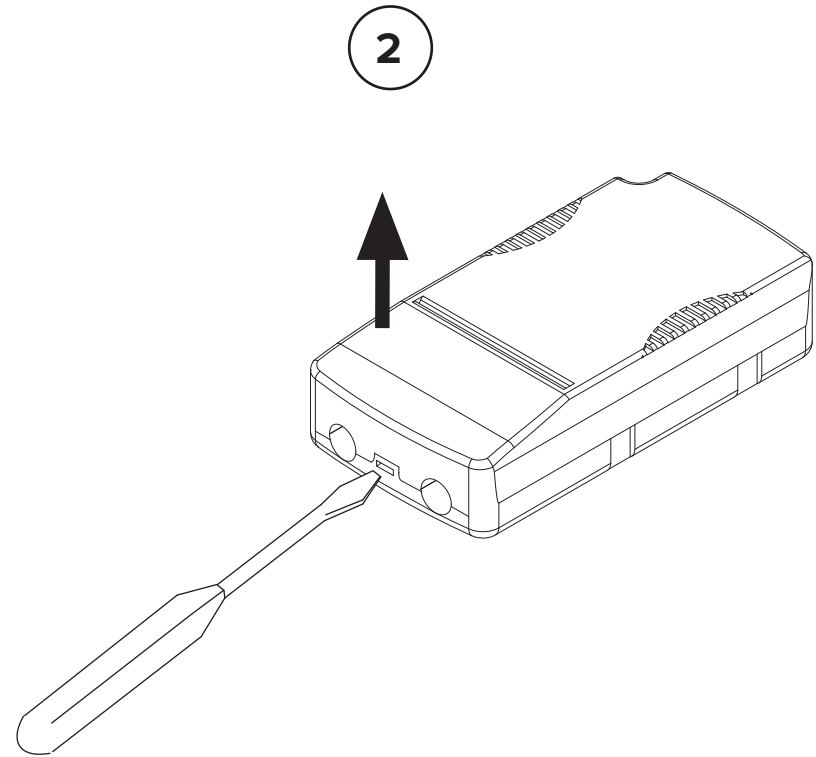
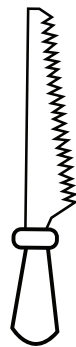


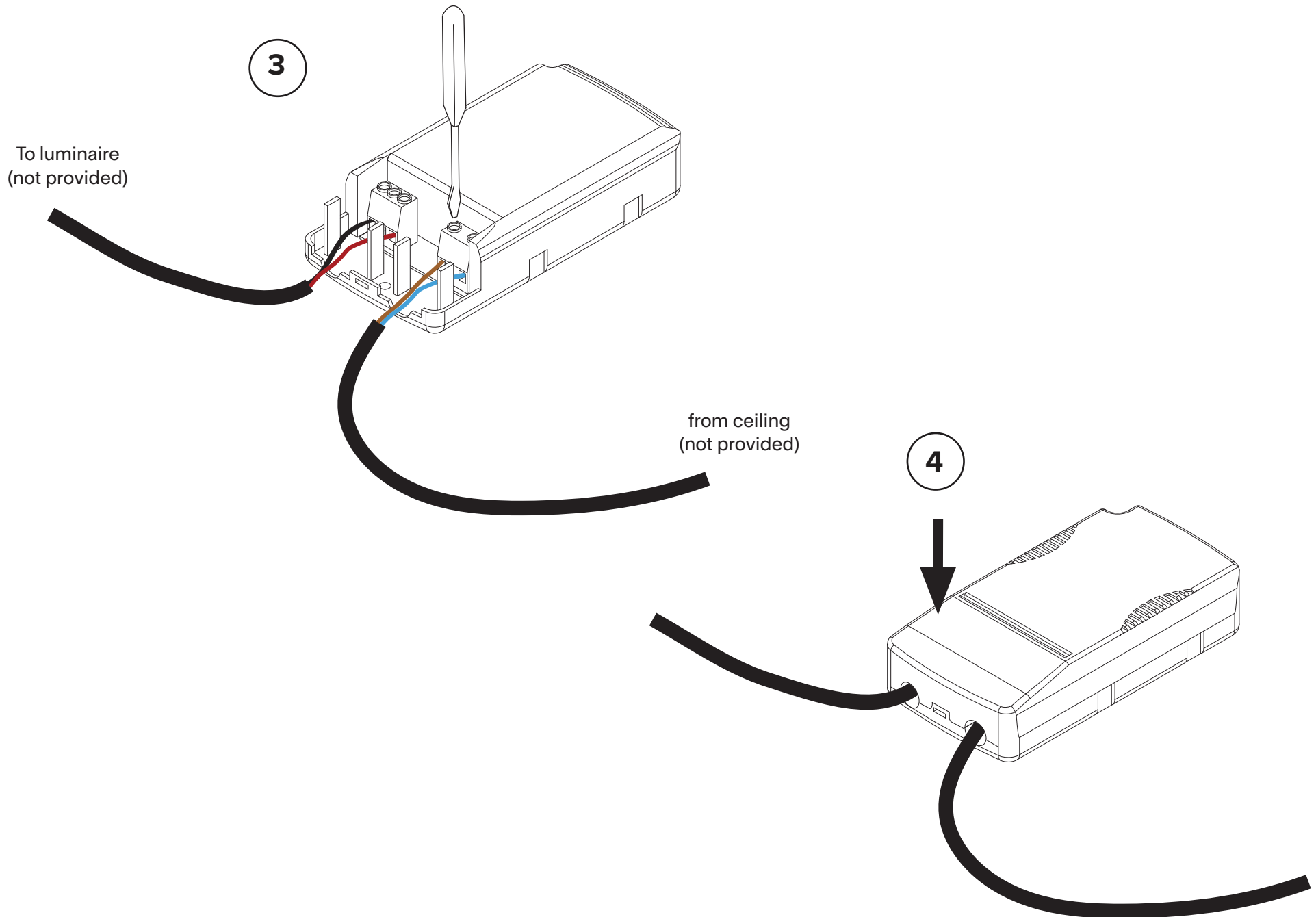
Distance between lamp and driver.

| Wire gauge | Max Distance |
|------------|------------------|
| 18AWG | 34.4 ft / 10.5m |
| 16AWG | 54.7 ft / 16.7m |
| 14AWG | 86.9 ft / 26.5m |
| 12AWG | 138.2 ft / 42.1m |



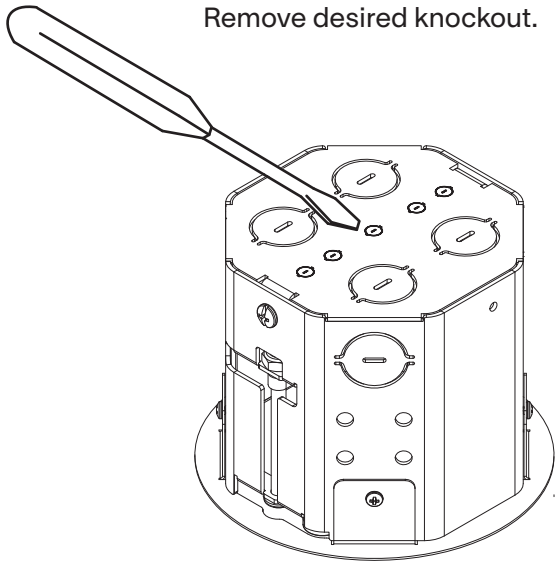
or



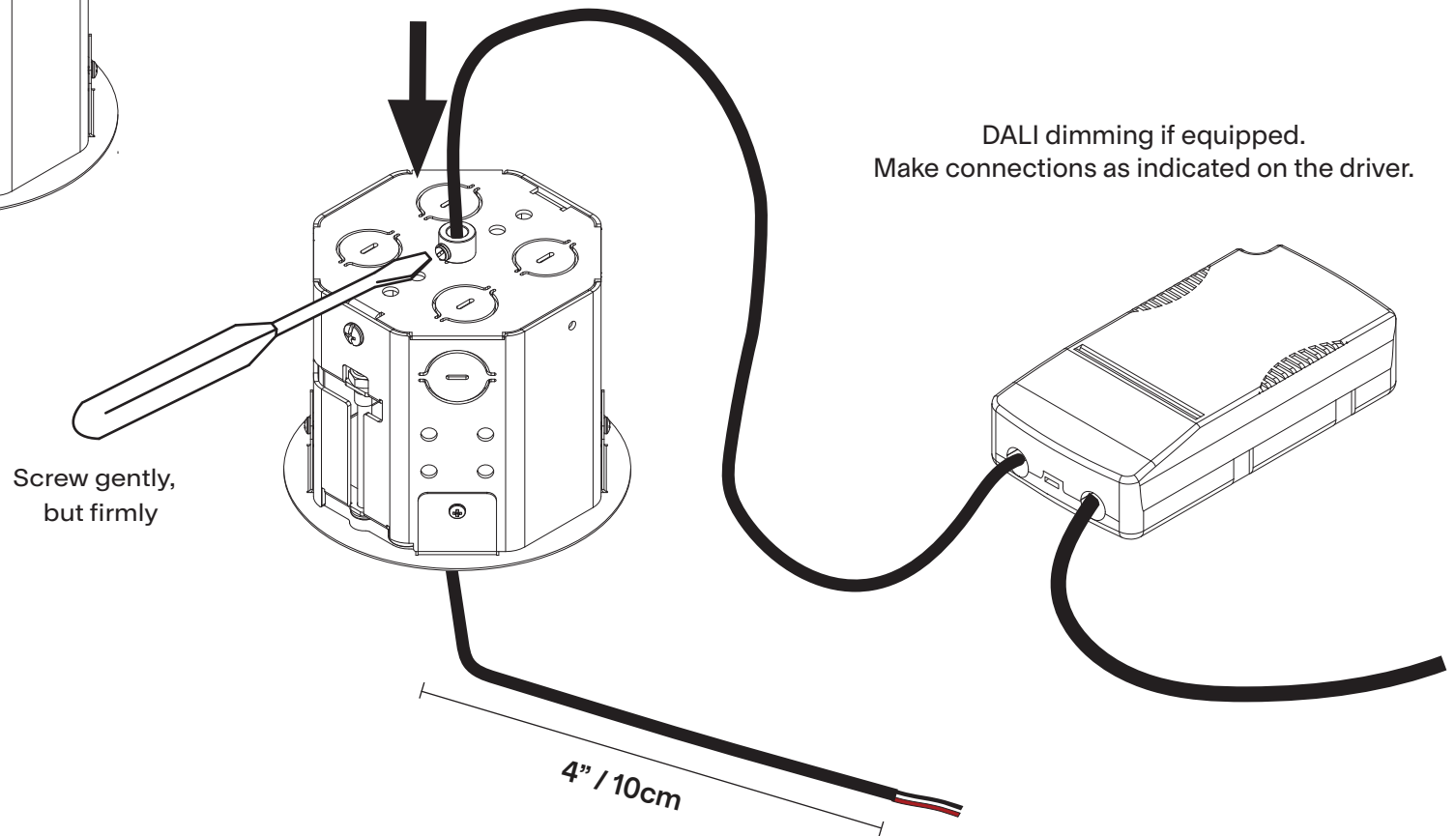


5

Remove desired knockout.



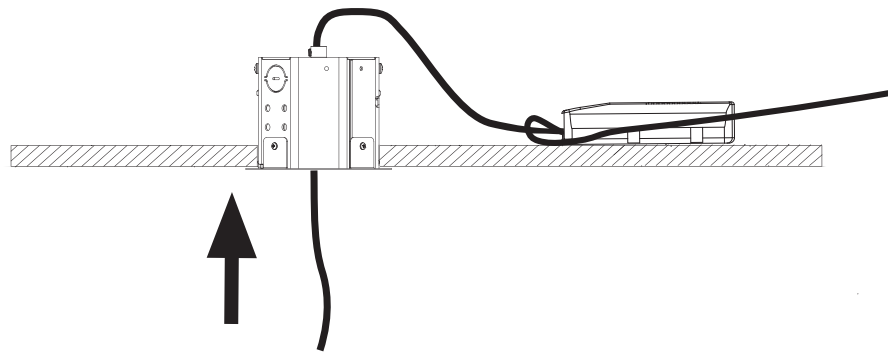
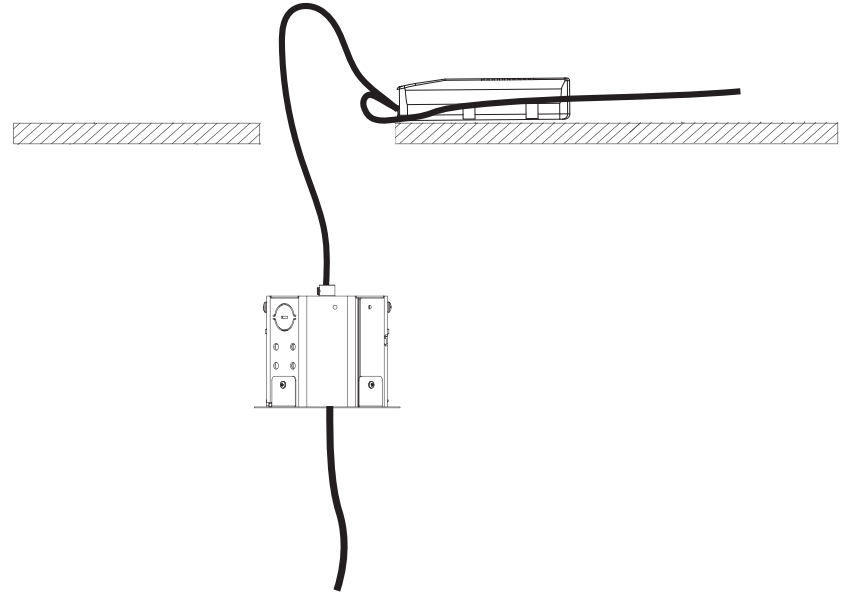
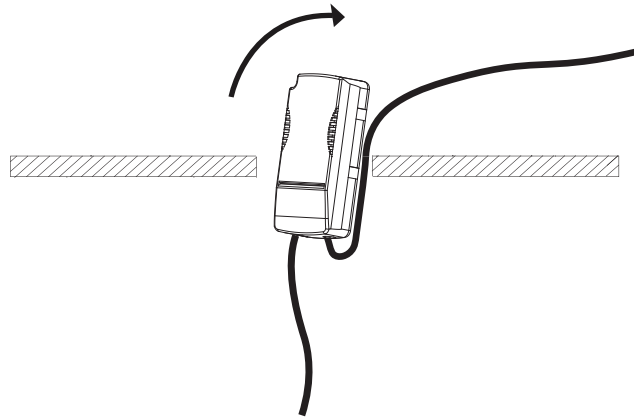
Use appropriate strain relief (not provided) depending on your wire gauge.



DALI dimming if equipped.
Make connections as indicated on the driver.

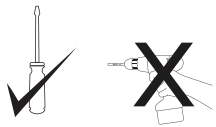
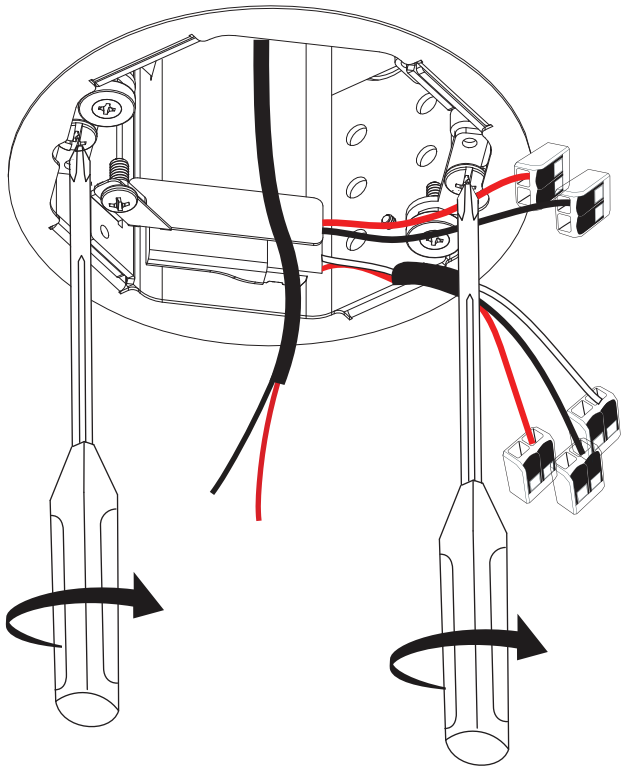
Screw gently,
but firmly

6

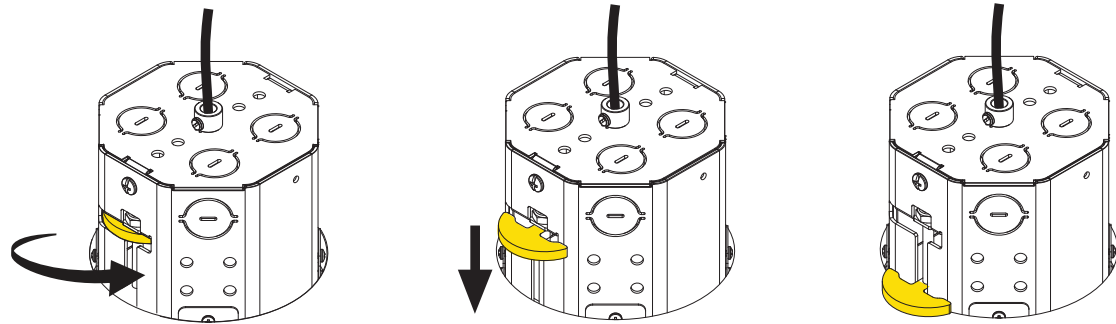


7

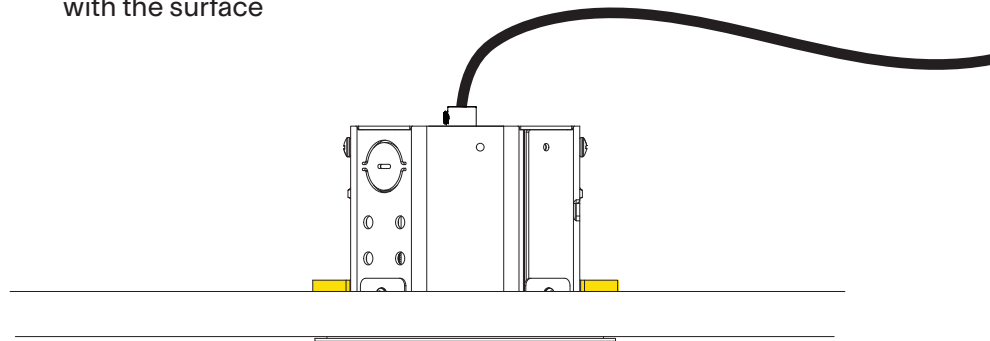
View from below



View from above



Stop when arms make contact with the surface



8

The recessed canopy is now installed, return to luminaire installation steps and follow the instructions (page 3).