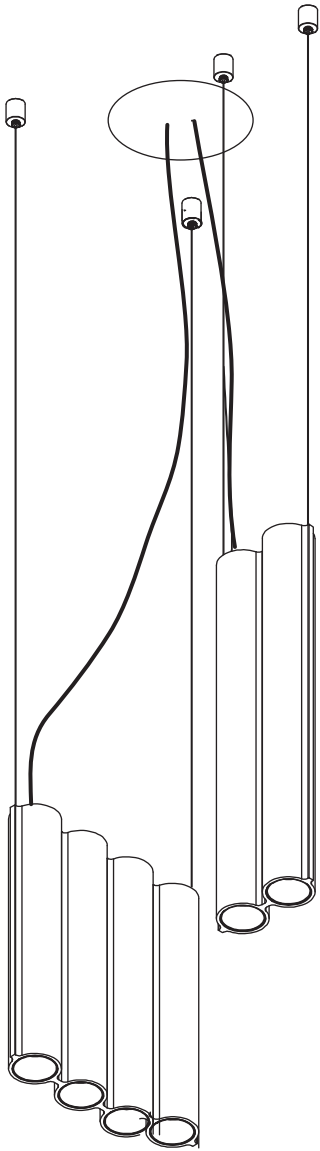

SILO 10 - 120V

(phase and 0+10V dimming)
Plenum or remote installation



- Please read entire manual before beginning installation
- To be installed by an electrician
- Use appropriate screws where necessary
- Wear enclosed gloves when handling lamp
- Handle materials with care. Please consult lamp maintenance sheet on our web site

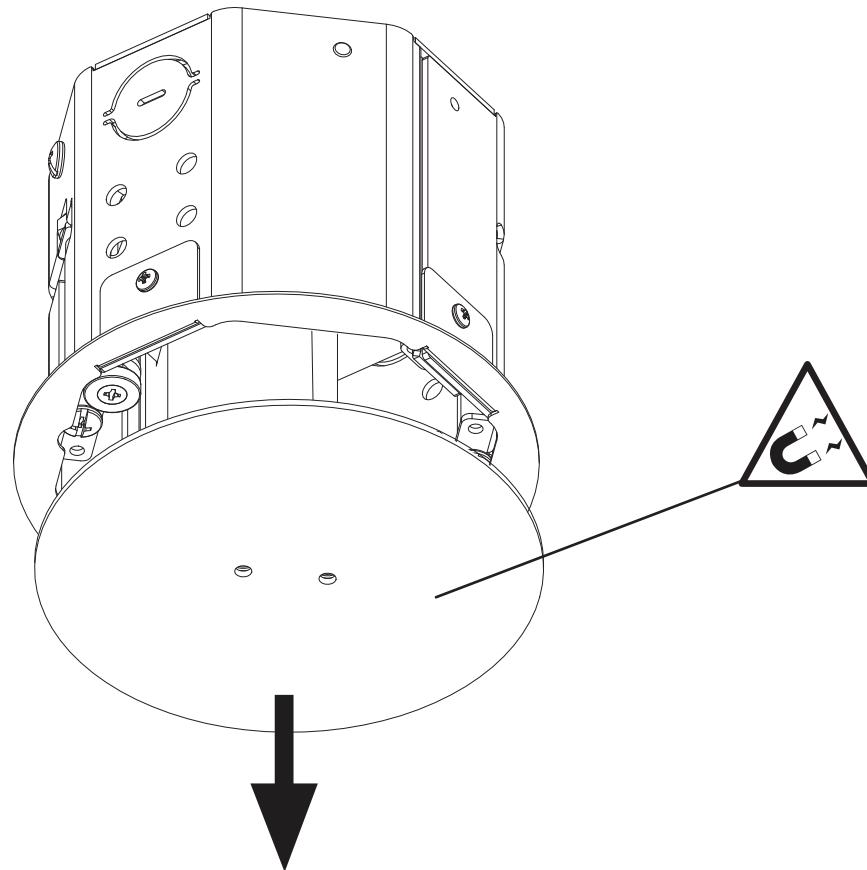


**Never turn on power supply
until installation is completed**

1

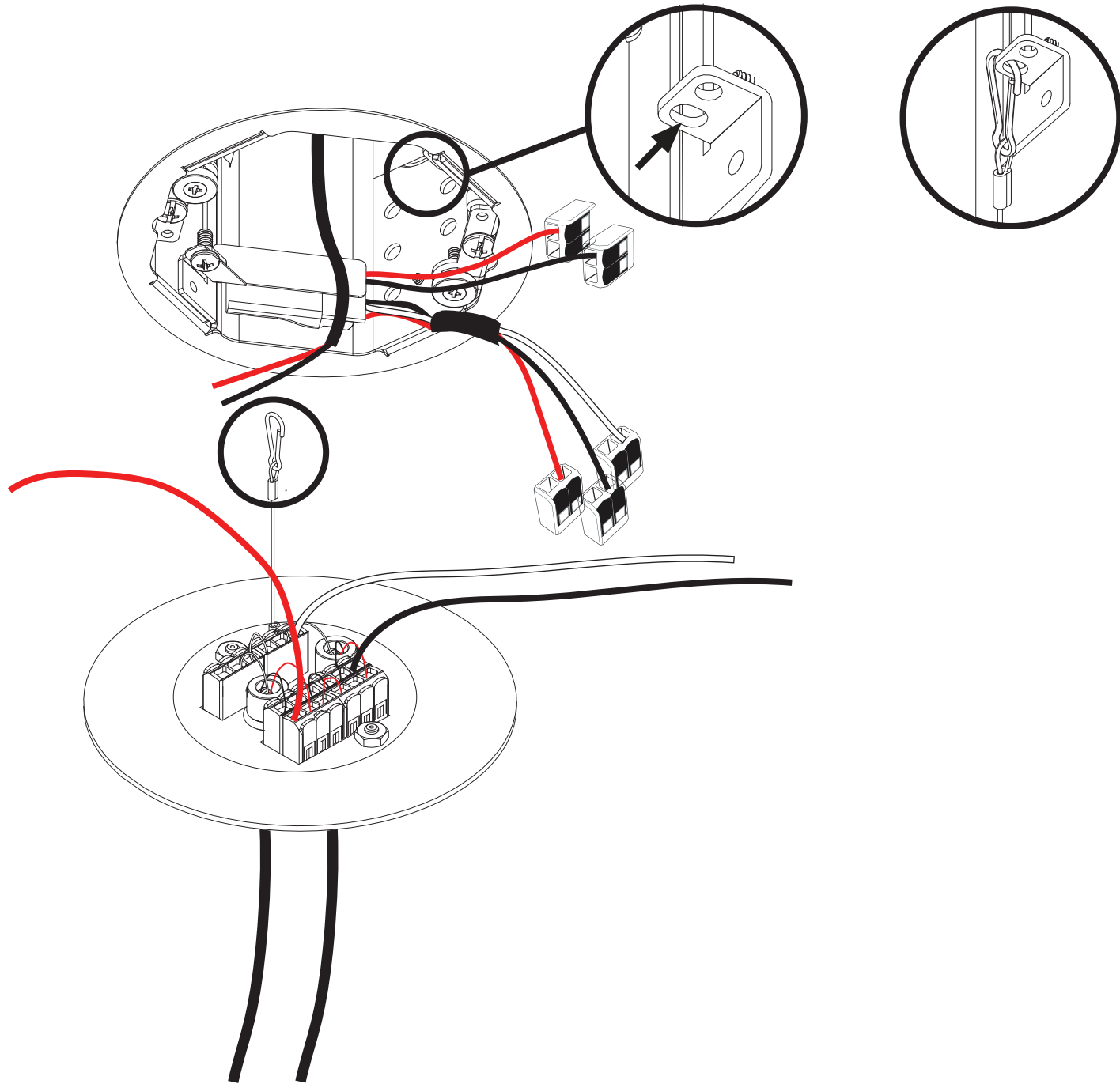
Remove Octobox cover plate.

Refer to:
Annexe A (phase dimming) - page 11
Annexe B (0-10V) - page 17



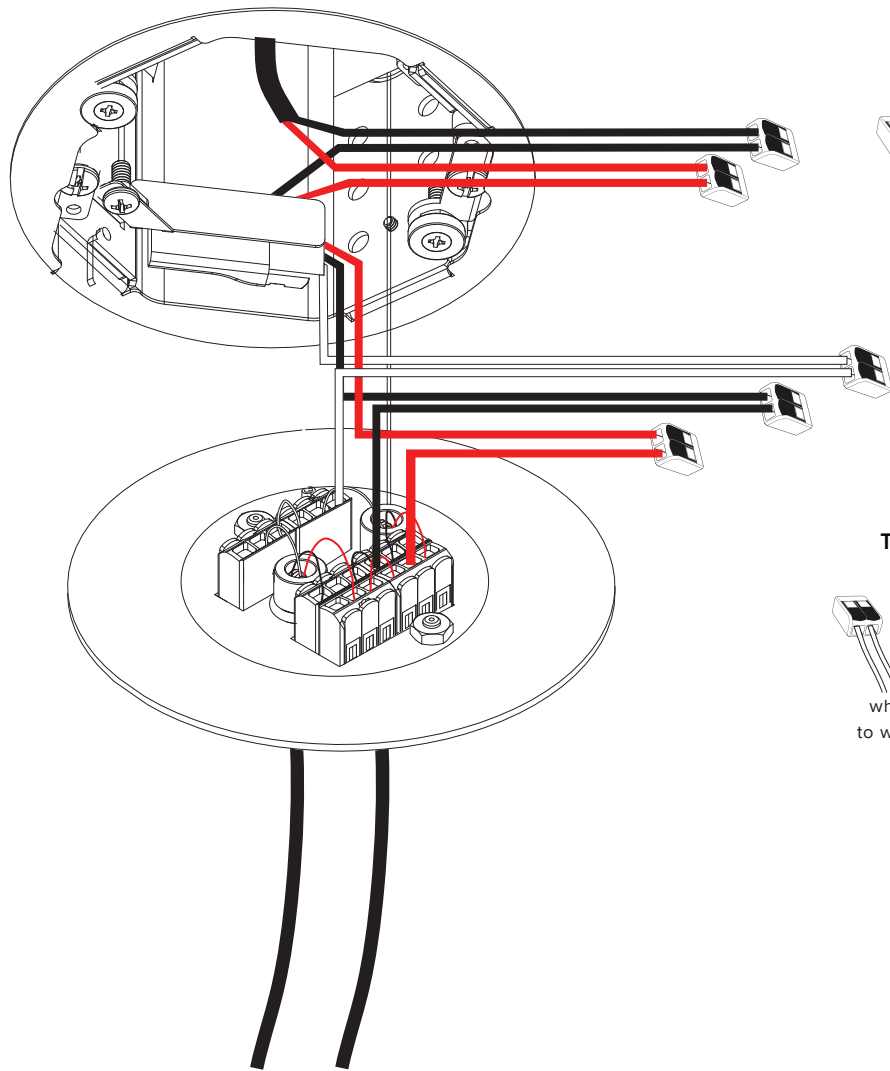
2

Clip canopy cover
to octobox to secure it.

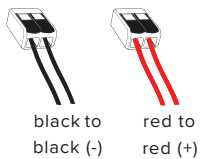


3

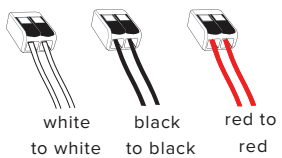
Make connections.



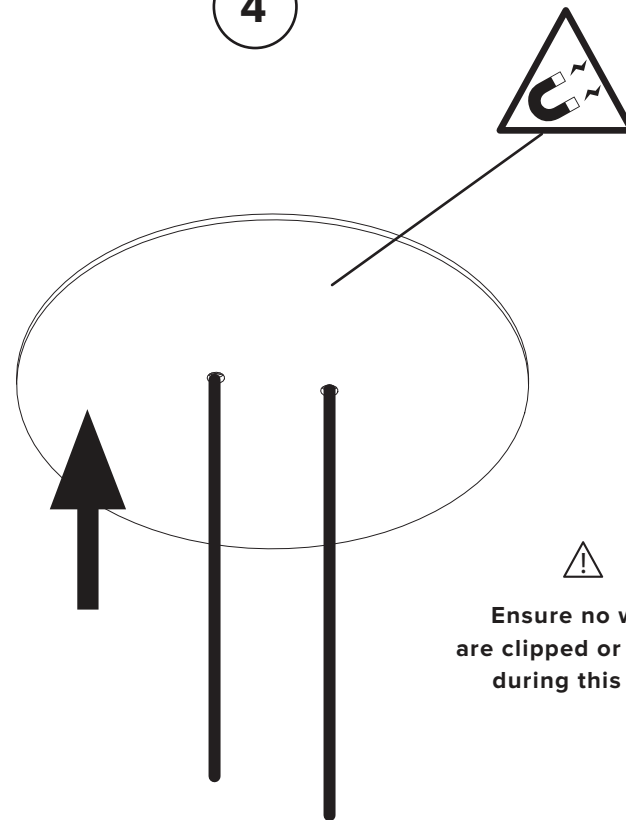
To Driver:



To luminaire:



4

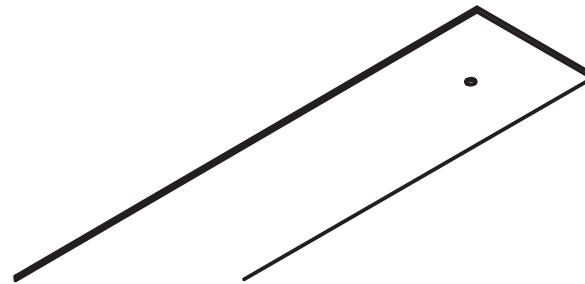
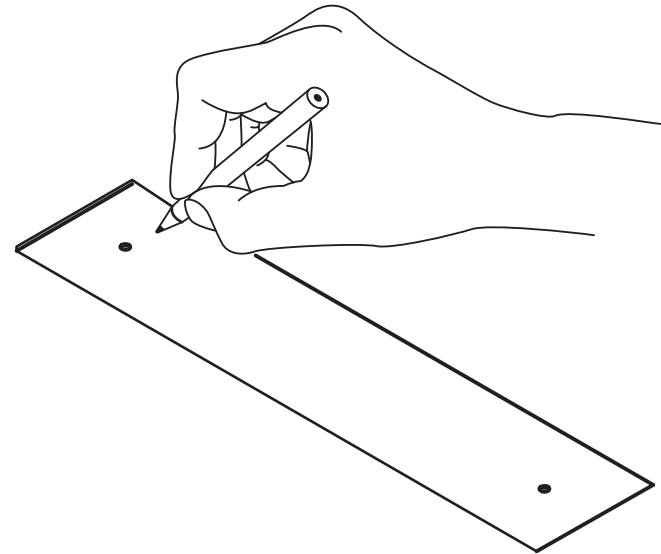
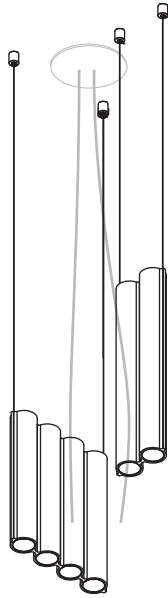


5

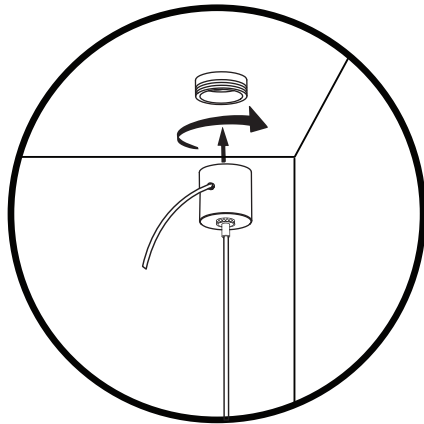
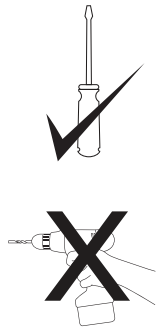
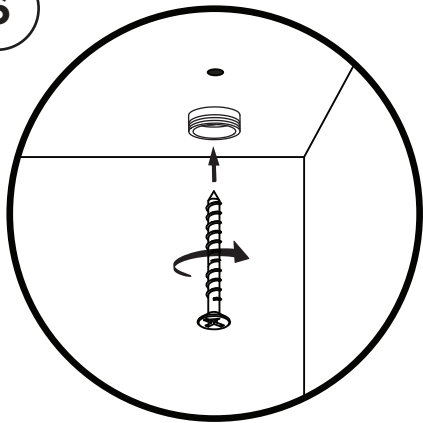
After the recessed canopy is installed, carefully replace the cover plate making sure no wires are clipped or pinched.

Use the templates provided at the end of the manual to position the luminaire and to mark your anchor locations.

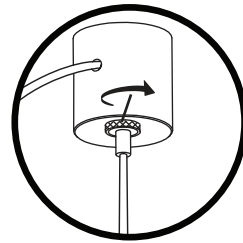
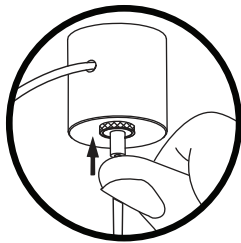
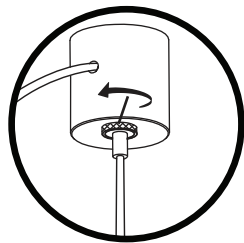
Note that the cord side of the luminaire should be positioned closest to the canopy.



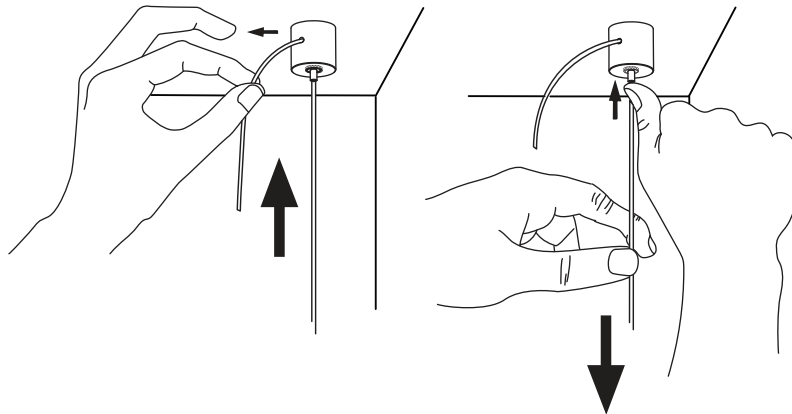
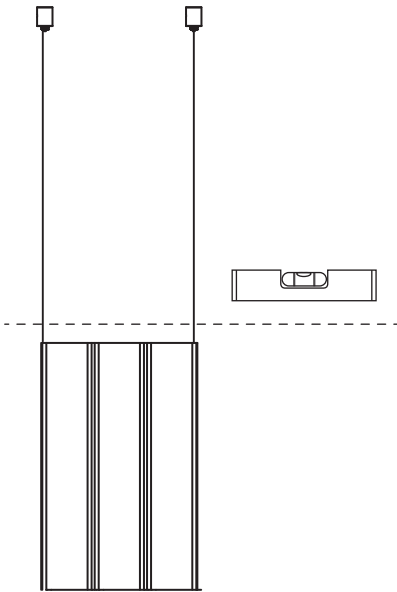
6



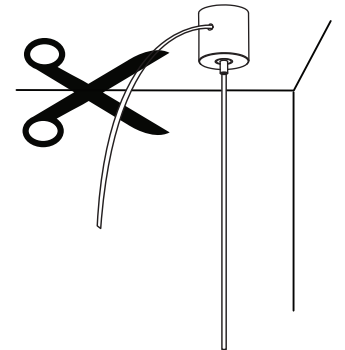
7



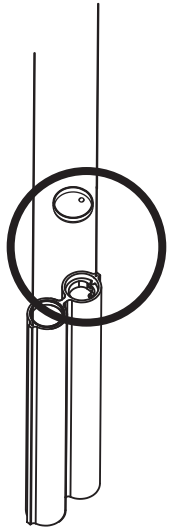
Losen lock, pass wire, make adjustments
and retighten lock to secure cable.



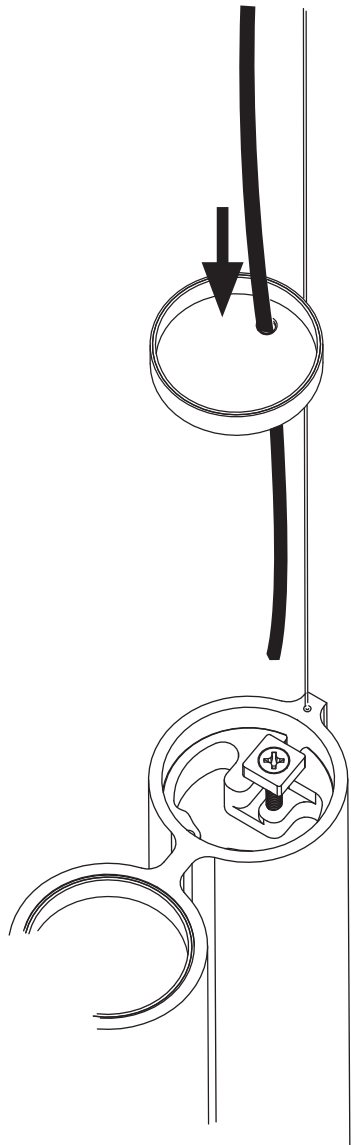
Cut stainless steel cables
ONLY after installation is complete
and luminaires are level.



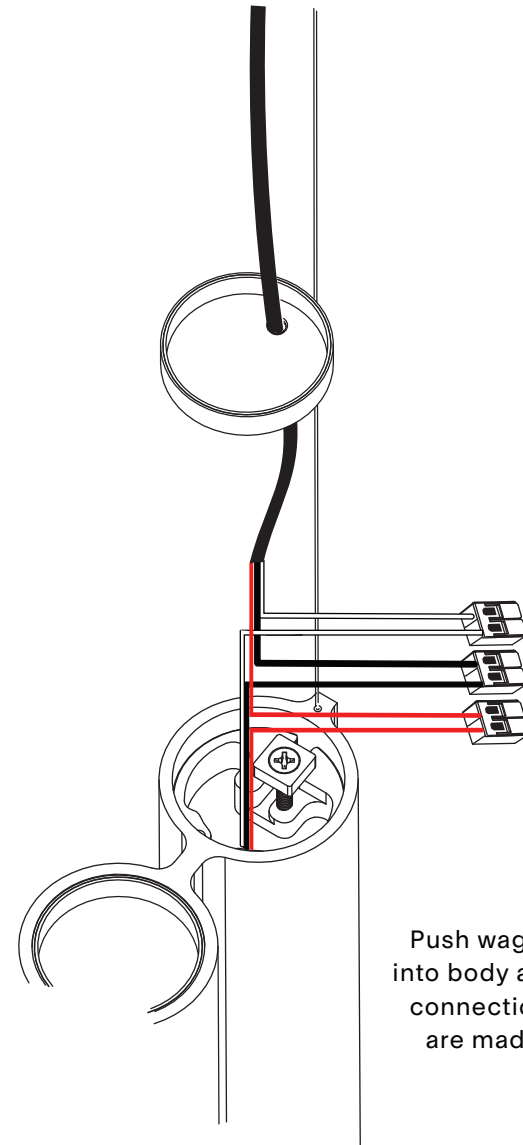
Choose canopy cords closest to luminaire.



8



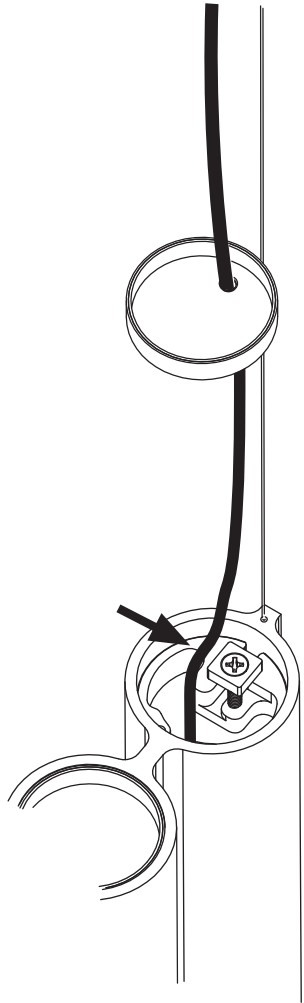
9



white to white
black to black
red to red

Push wagos
into body after
connections
are made

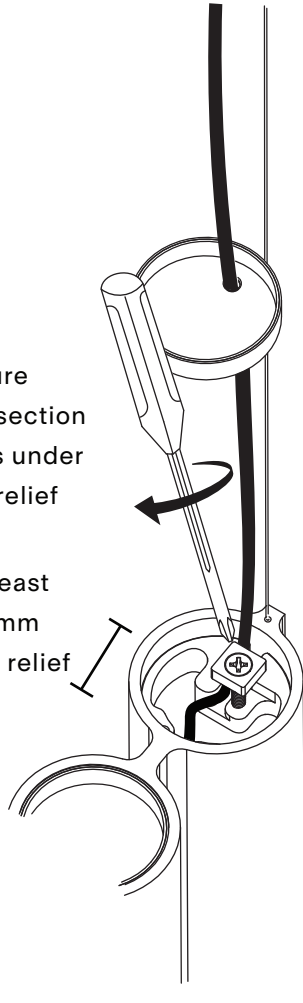
10



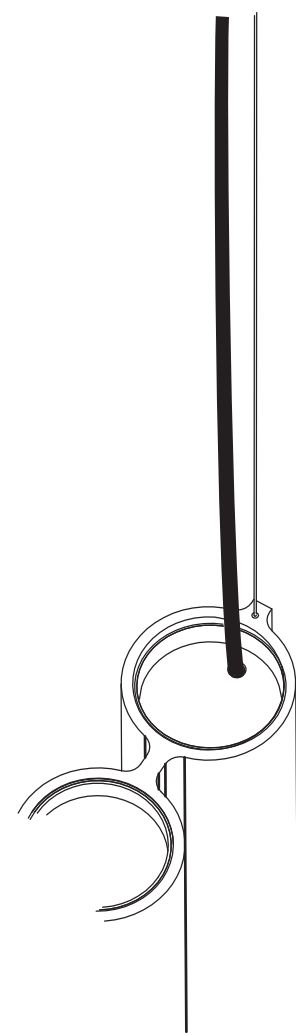
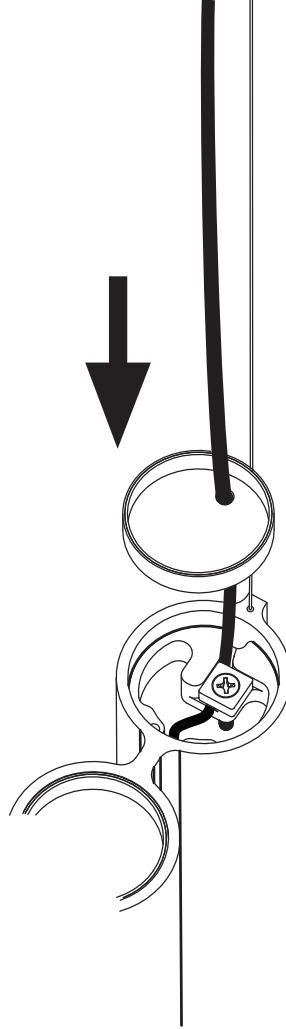
11

Make sure
the sleeved section
of the wire is under
the strain relief

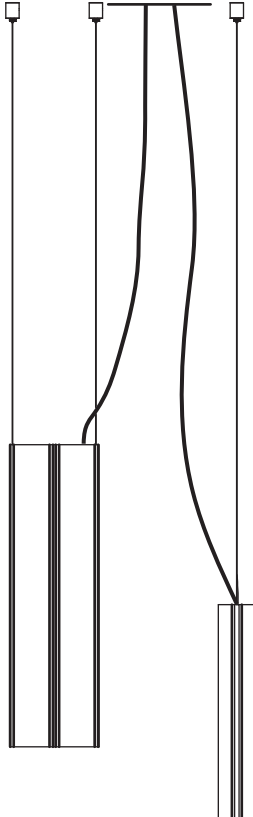
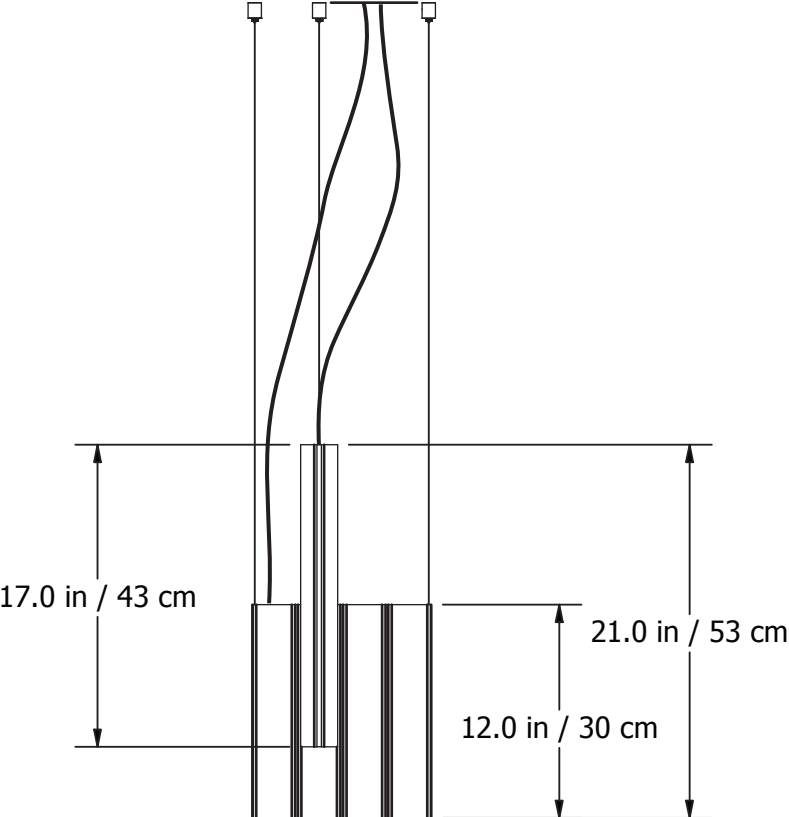
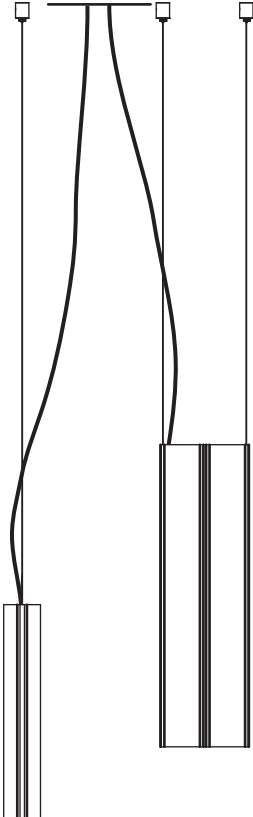
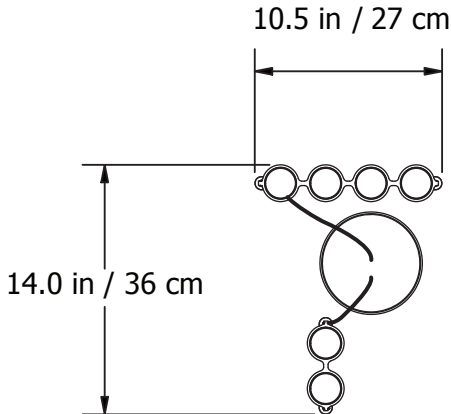
leave at least
1/4" / 7mm
after strain relief

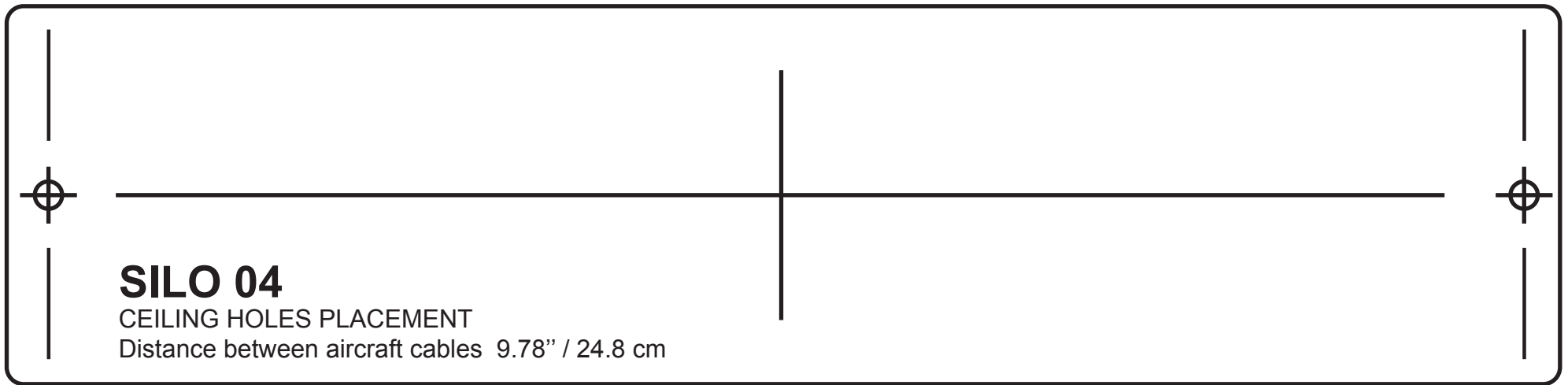
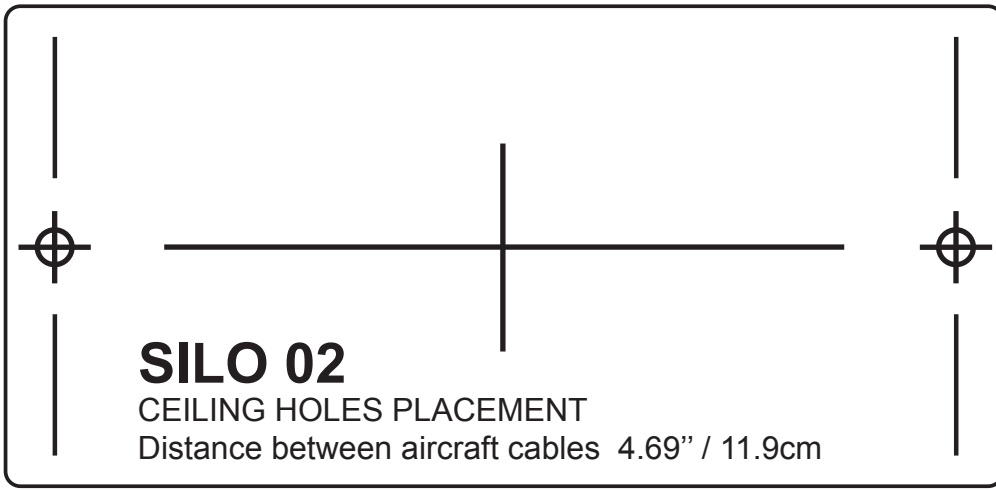


12



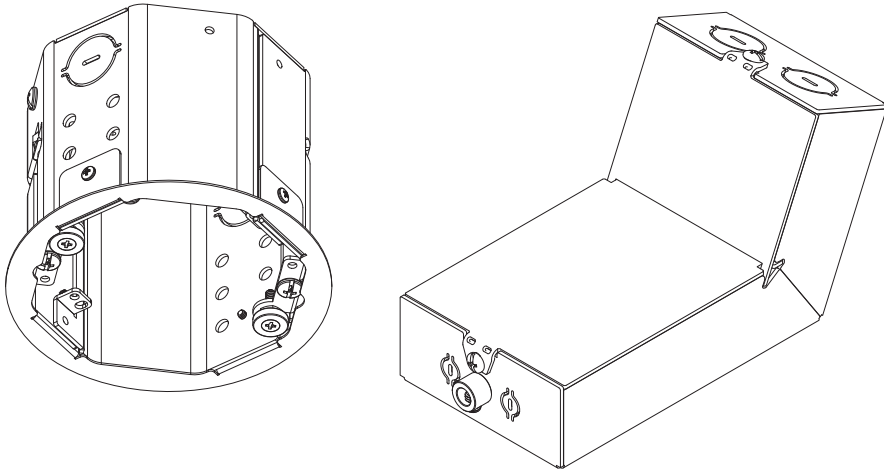
Recommended installation plan




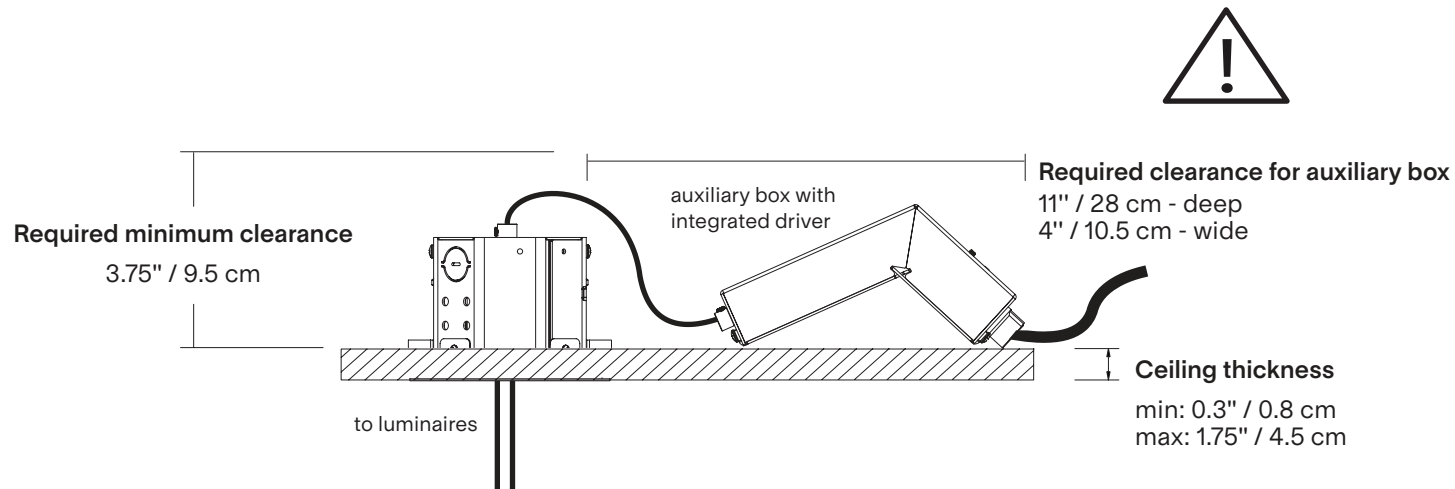


RECESSED CANOPY ANNEX A

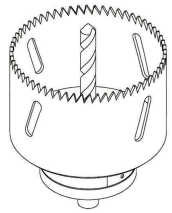
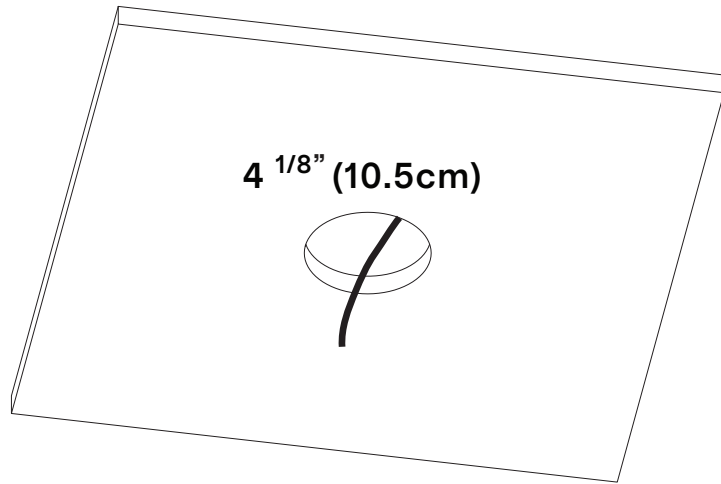
Octobox with auxiliary box (phase and 0+10V dimming) Plenum installation



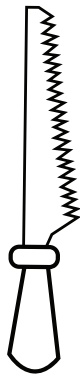
- 
- Please read entire manual before beginning installation
 - To be installed by an electrician
 - Use appropriate screws where necessary
 - For non-insulated hollow ceiling
 - Wires for plenum not provided



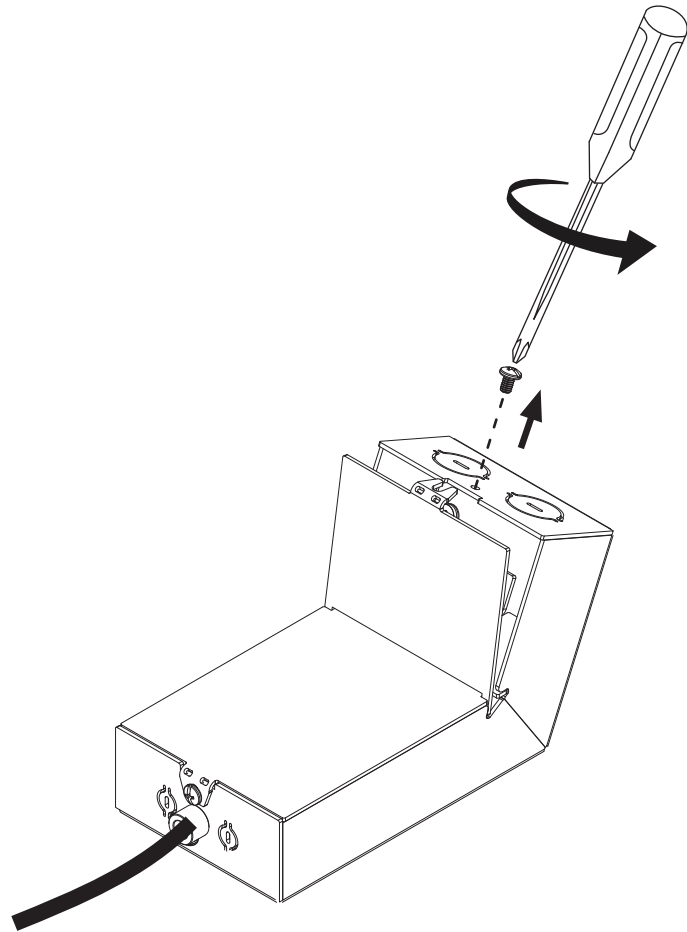
1



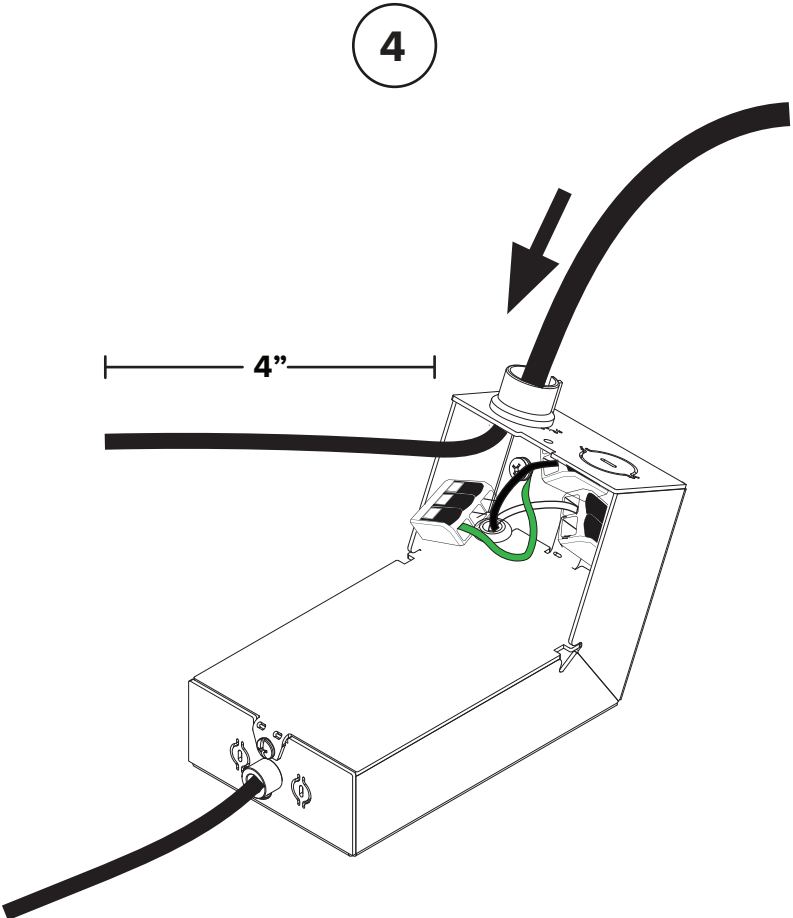
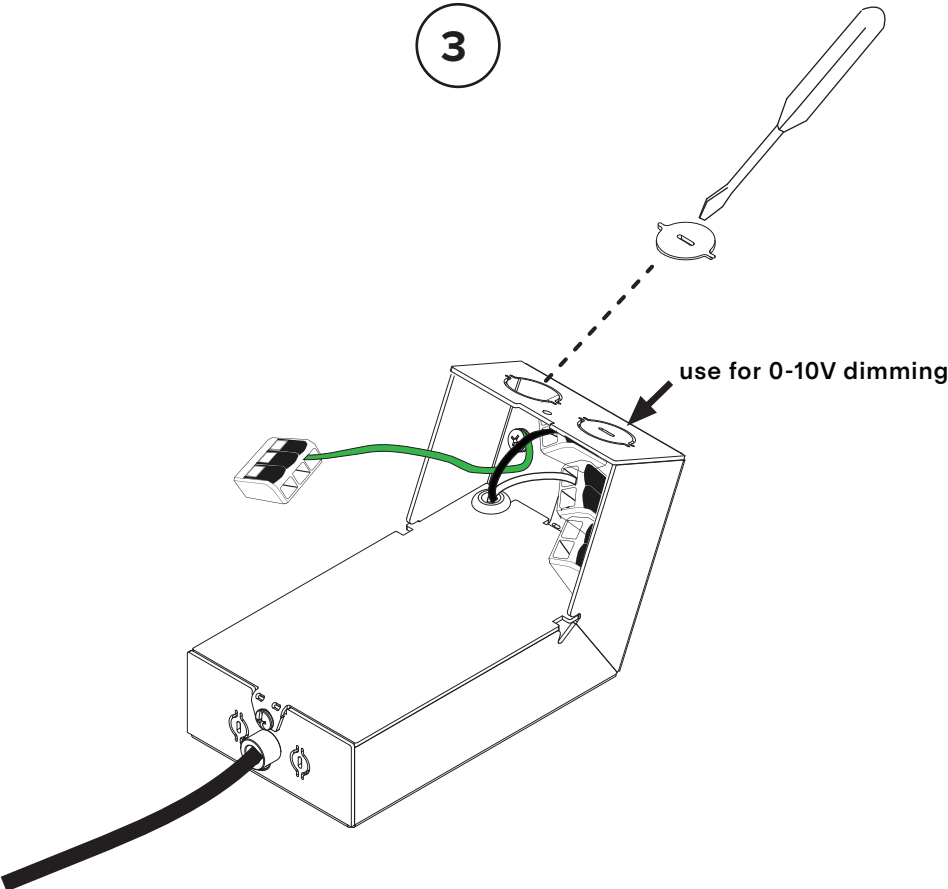
or

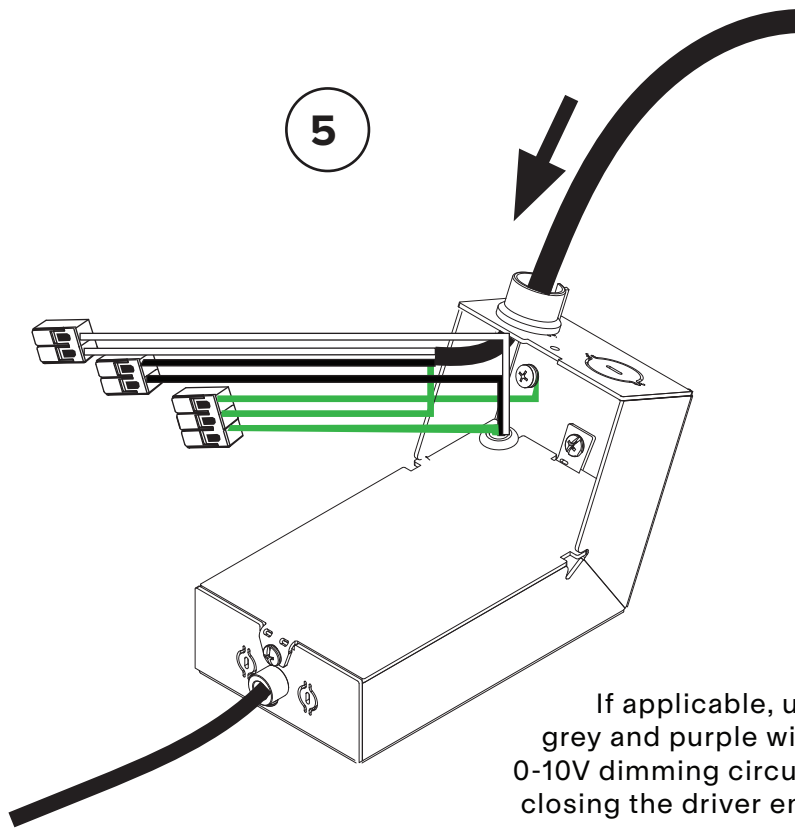


2



PHASE DIMMING REPRESENTATION

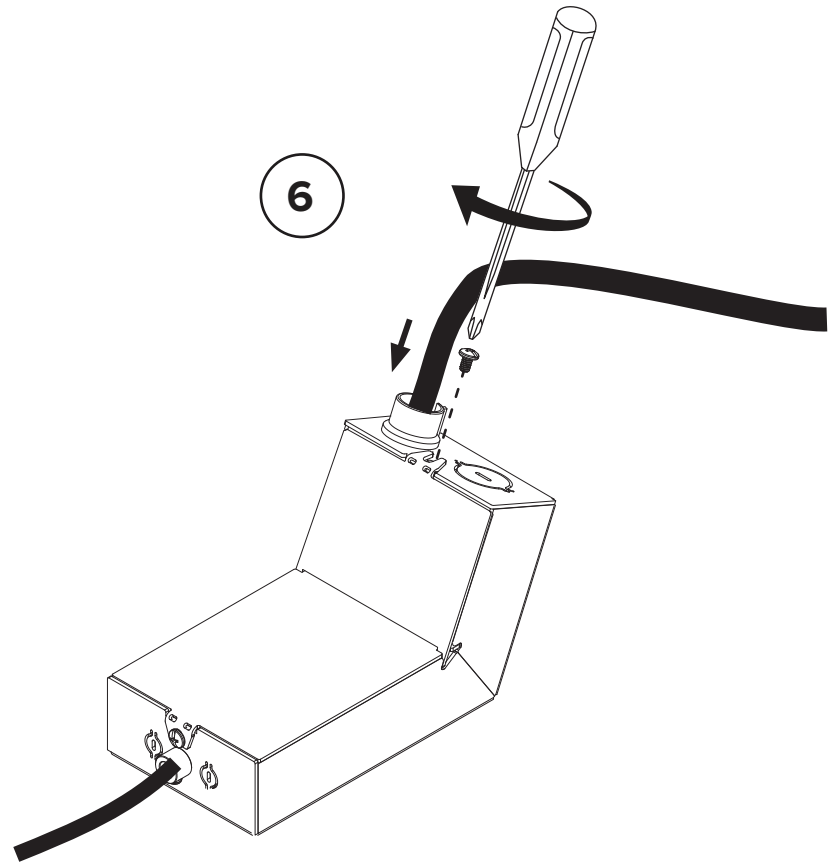




5

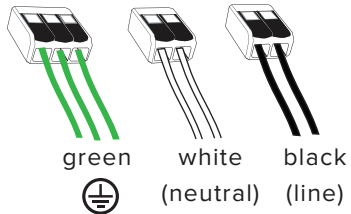
If applicable, use grey and purple wires for 0-10V dimming circuit before closing the driver enclosure.

Cap wires individually if not used.

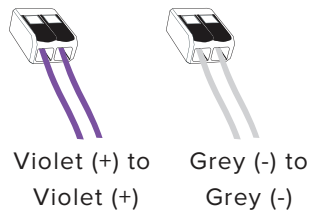


6

for 120 V wiring

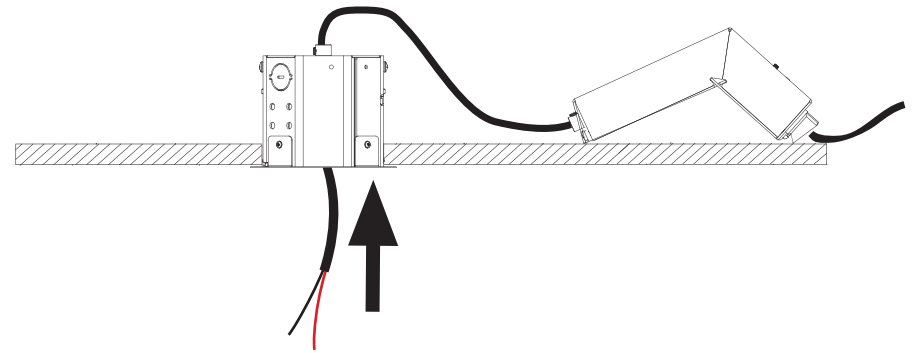
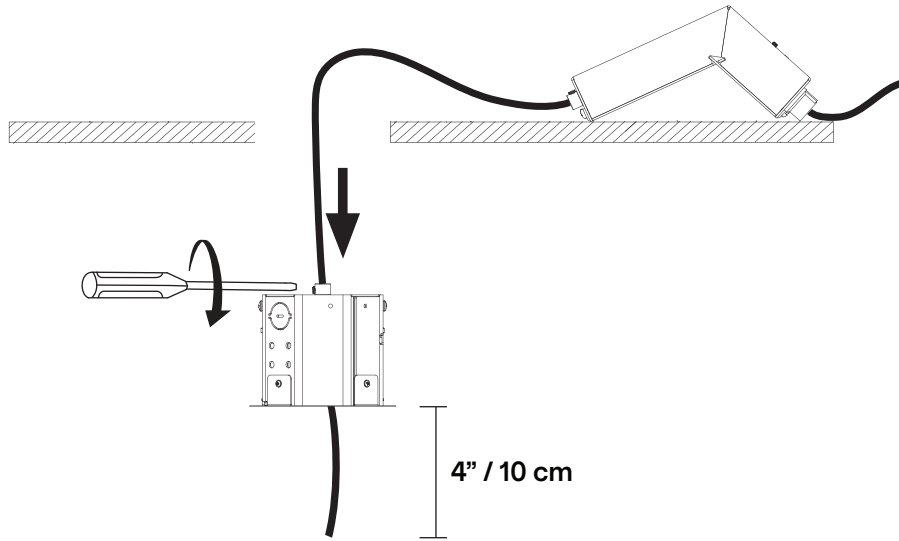
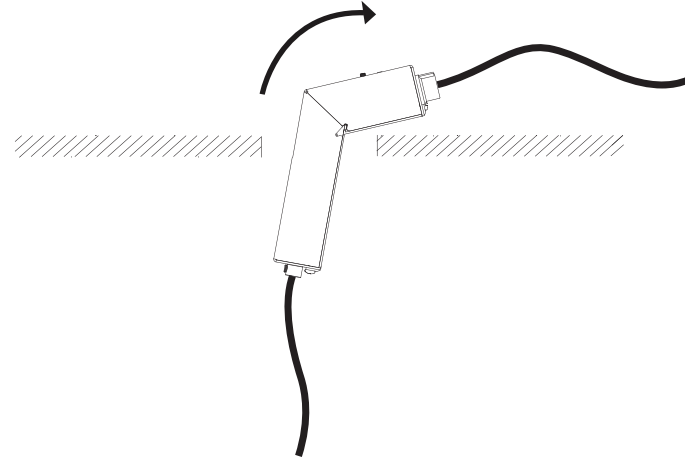
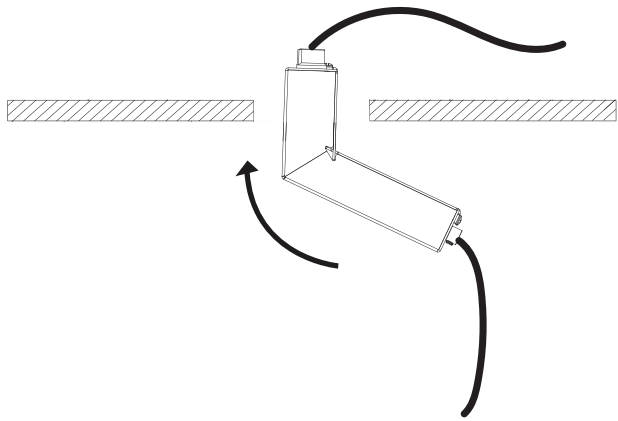


0-10V dimming



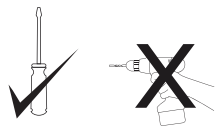
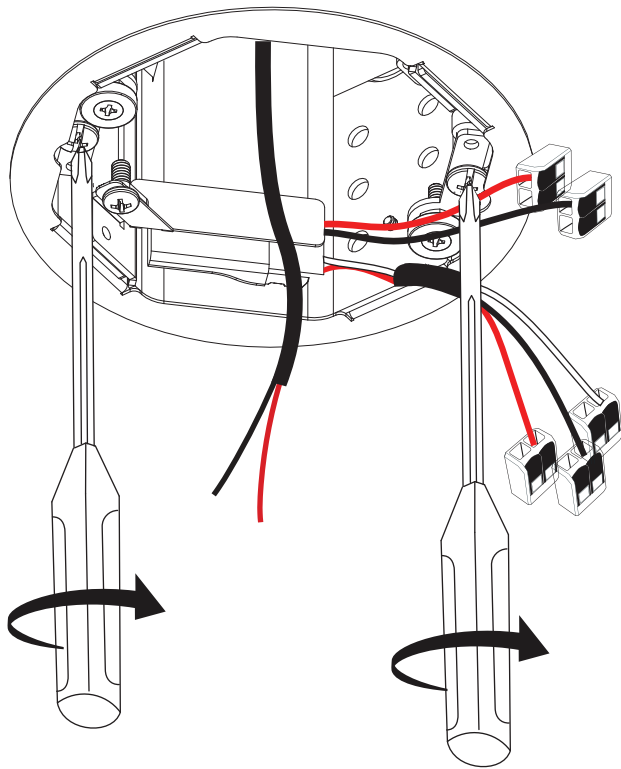
11mm

7



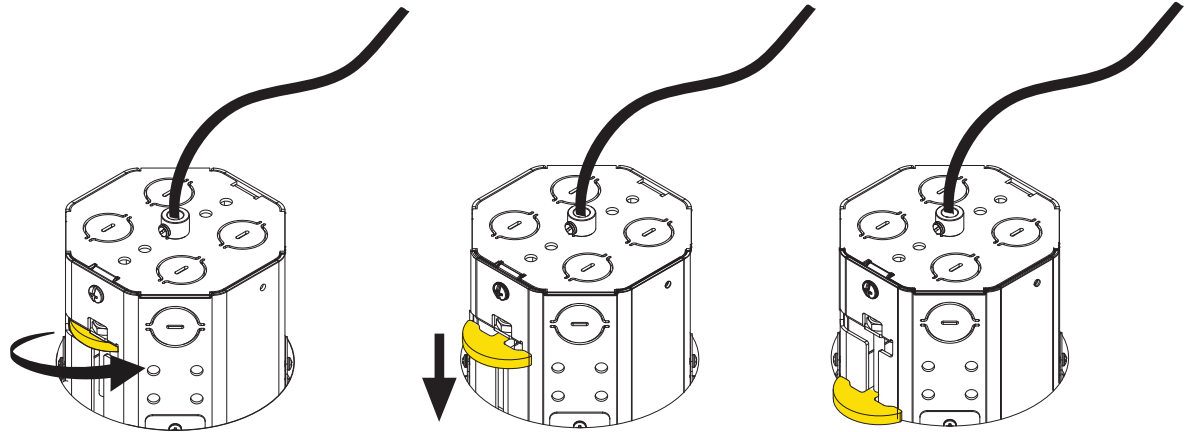
8

View from below

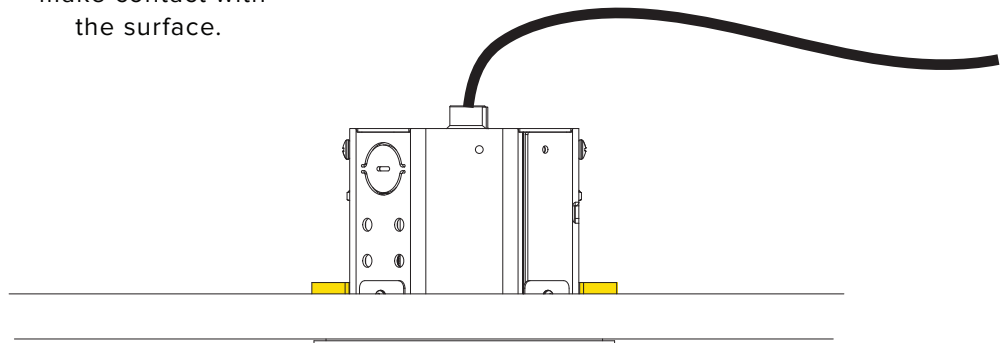


9

View from above



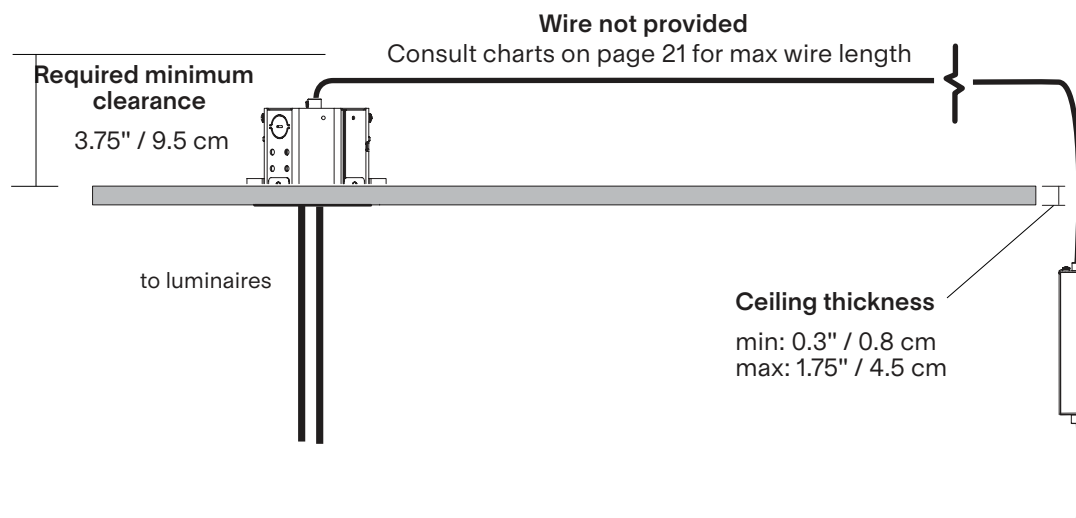
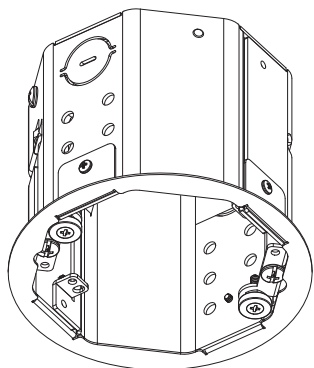
Stop when arms make contact with the surface.



The recessed canopy is now installed, return to luminaire installation steps and follow the instructions (page 3).

RECESSED CANOPY ANNEX B

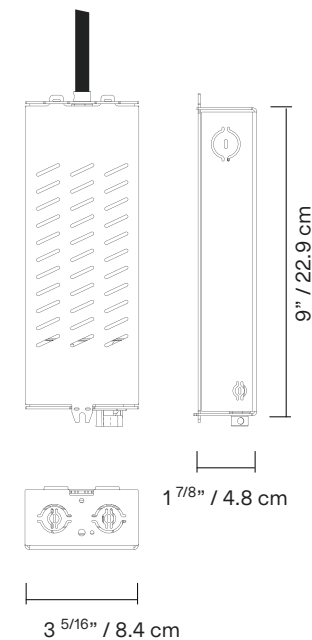
Octobox with remote driver
(phase and 0-10V dimming)
Remote installation



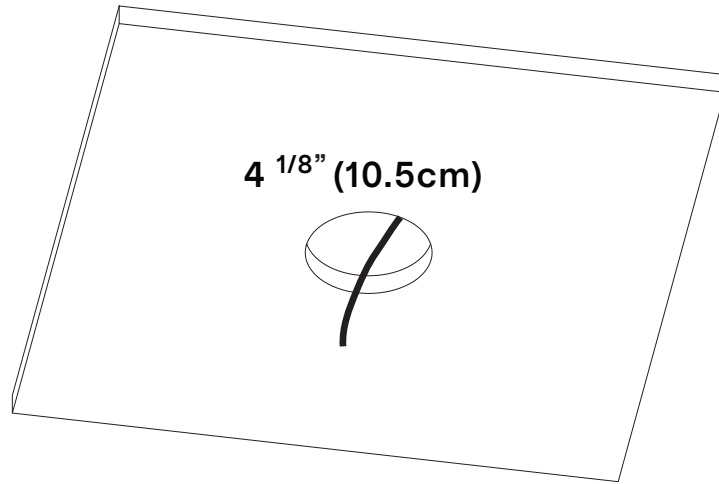
- Please read entire manual before beginning installation
- To be installed by an electrician
- Use appropriate screws where necessary
- For non-insulated hollow ceiling
- Wires for plenum not provided

Remote driver

Install in a well ventilated area.
Must be accessible for maintenance.



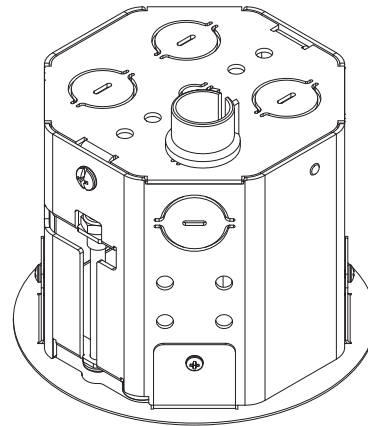
1



or

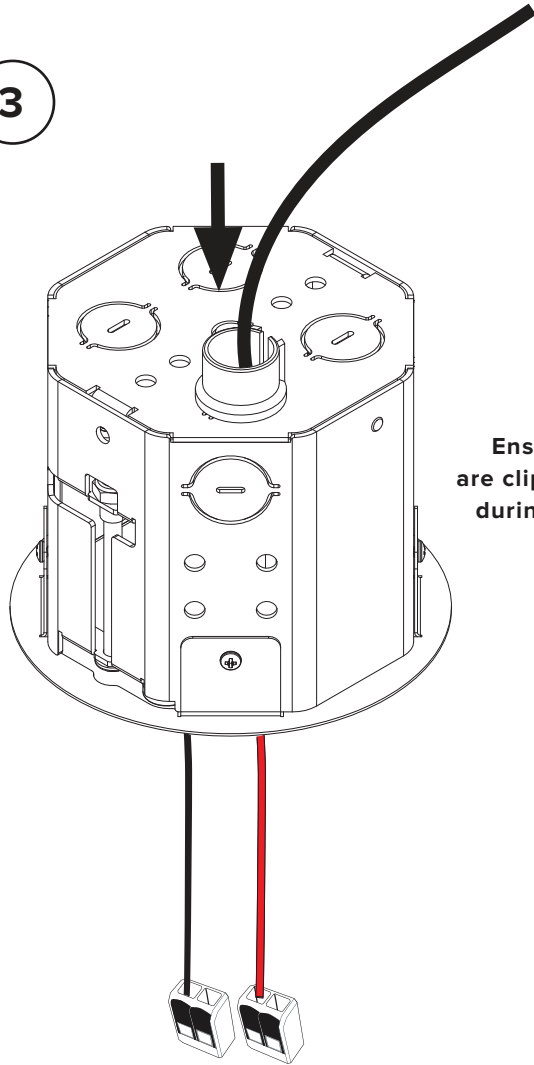


2



Install suitable connectors for your installation (not included)

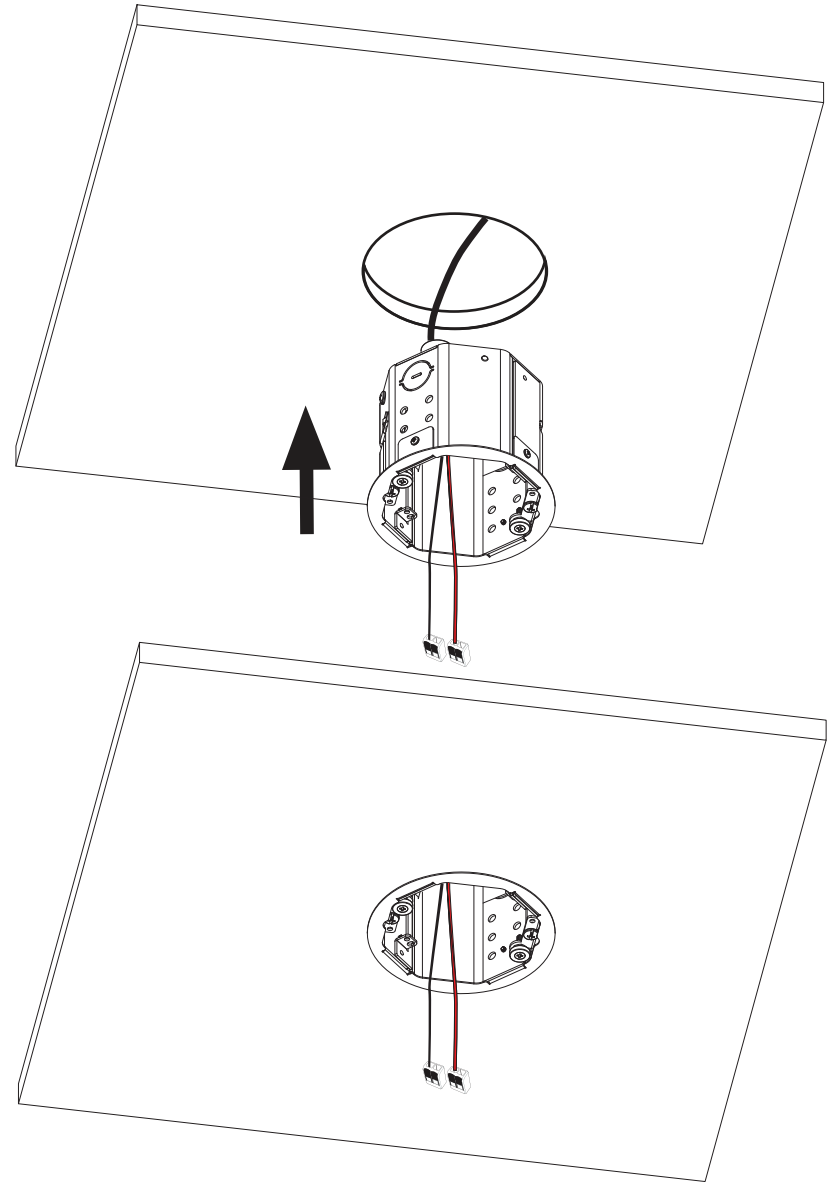
3



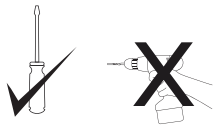
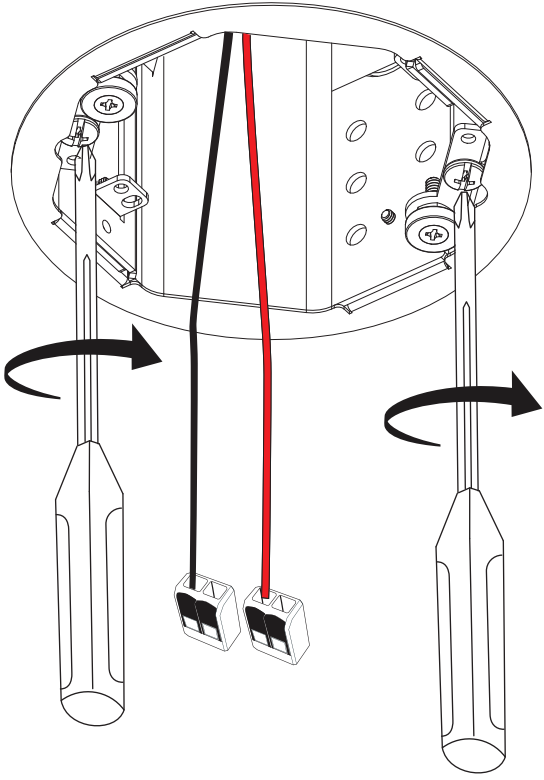
Ensure no wires are clipped or pinched during these steps.

4

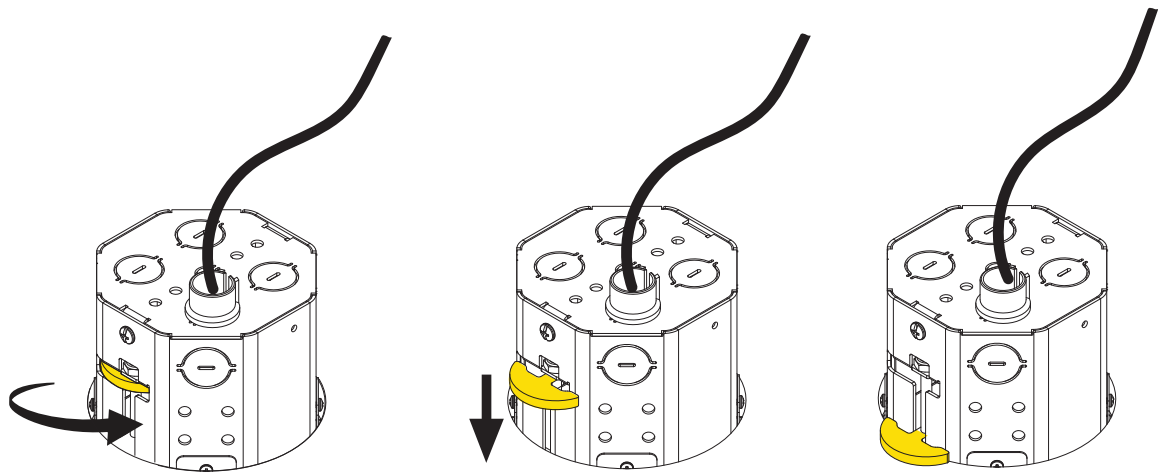
View from below



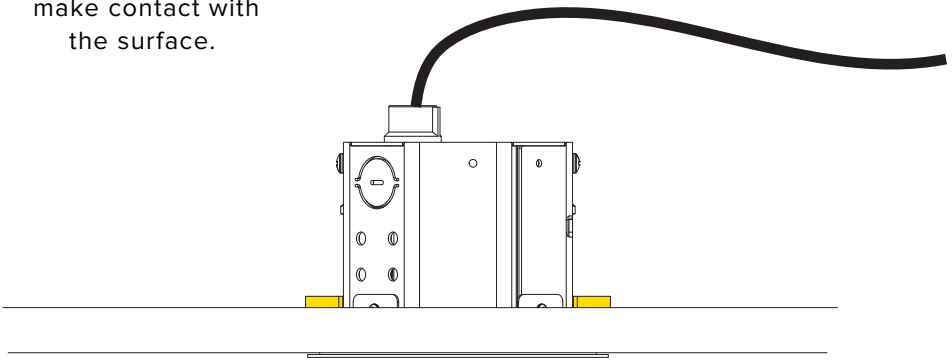
5



View from above



Stop when arms make contact with the surface.

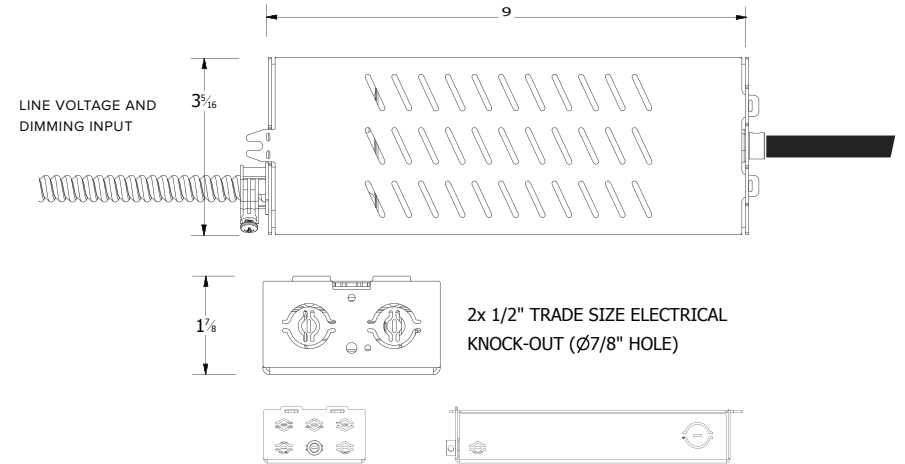


REMOTE DRIVER HOUSING

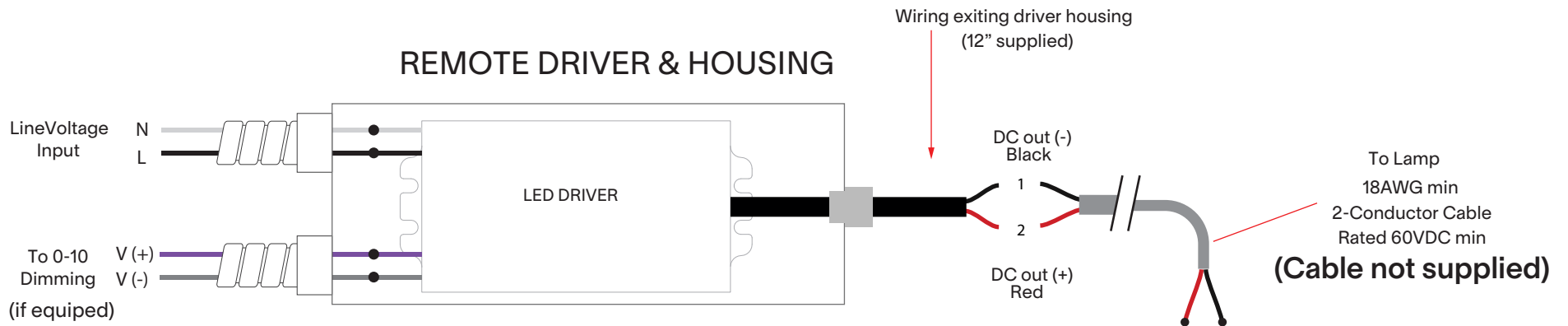
- Must be accessible for maintenance in a well aerated location for heat dissipation

Remote Wire Gauge and Length Allowance Maximum distance between suspended structure internal wiring and remote driver housing

| Wire gauge | Max Distance |
|------------|------------------|
| 18AWG | 34.4 ft / 10.5m |
| 16AWG | 54.7 ft / 16.7m |
| 14AWG | 86.9 ft / 26.5m |
| 12AWG | 138.2 ft / 42.1m |



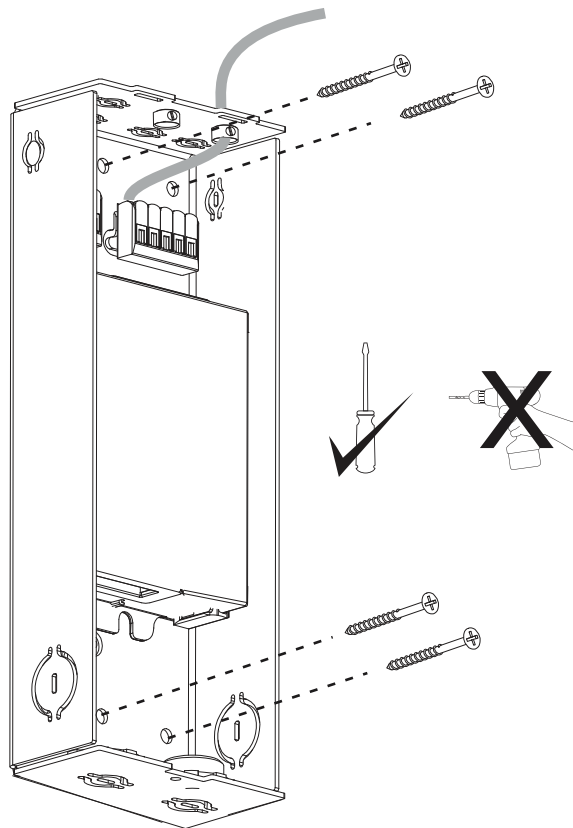
REMOTE DRIVER & HOUSING



6

Remove cover and mount driver housing to wall.

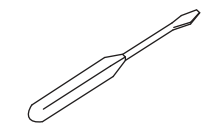
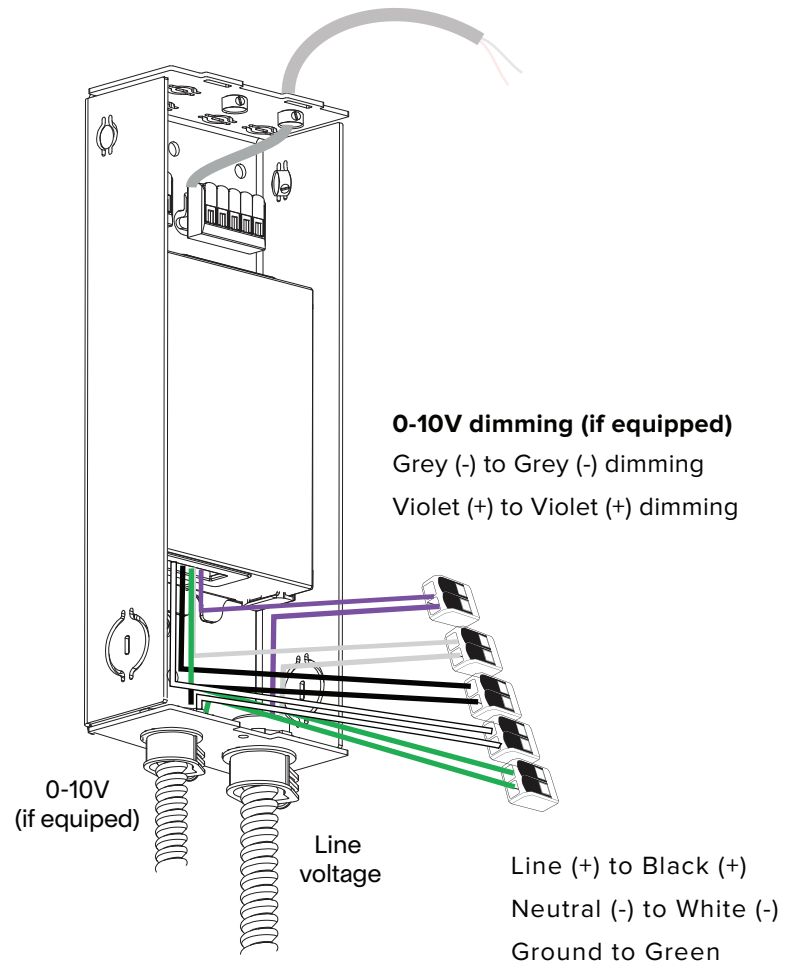
Screws not provided.



Use a screwdriver to knock out tab, then secure cables (not supplied)

7

Make Line Voltage and dimming connections to driver wiring.

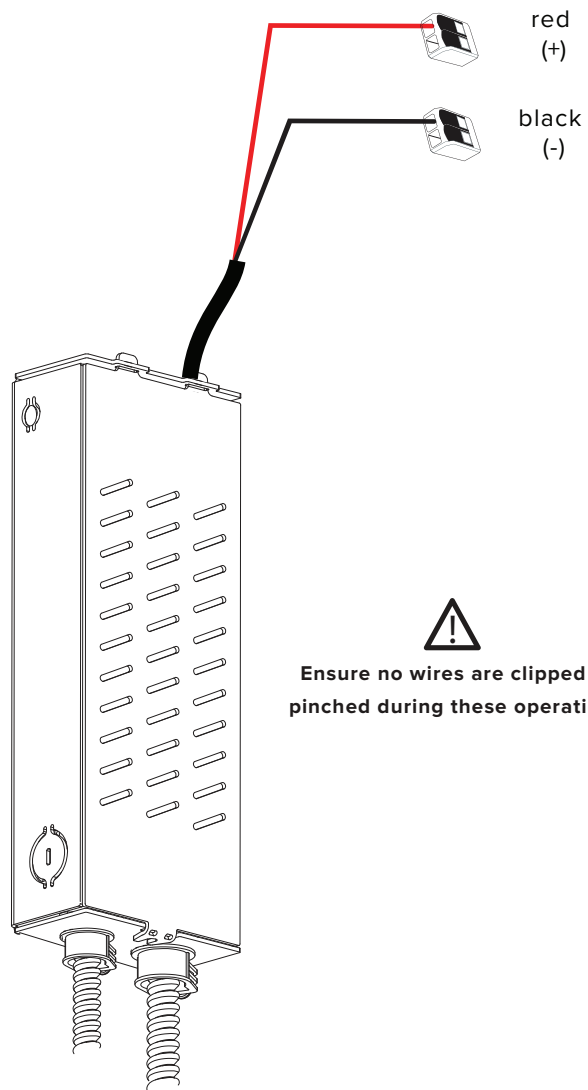


Use a screwdriver

to knock out tab, then secure cables (not supplied)

8

Close driver housing and make low voltage connections.



9

The recessed canopy is now installed, return to luminaire installation steps and follow the instructions (page 3).