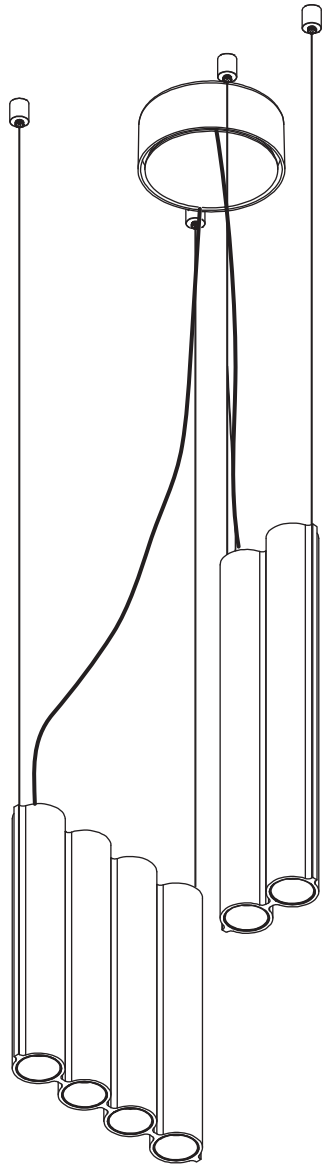
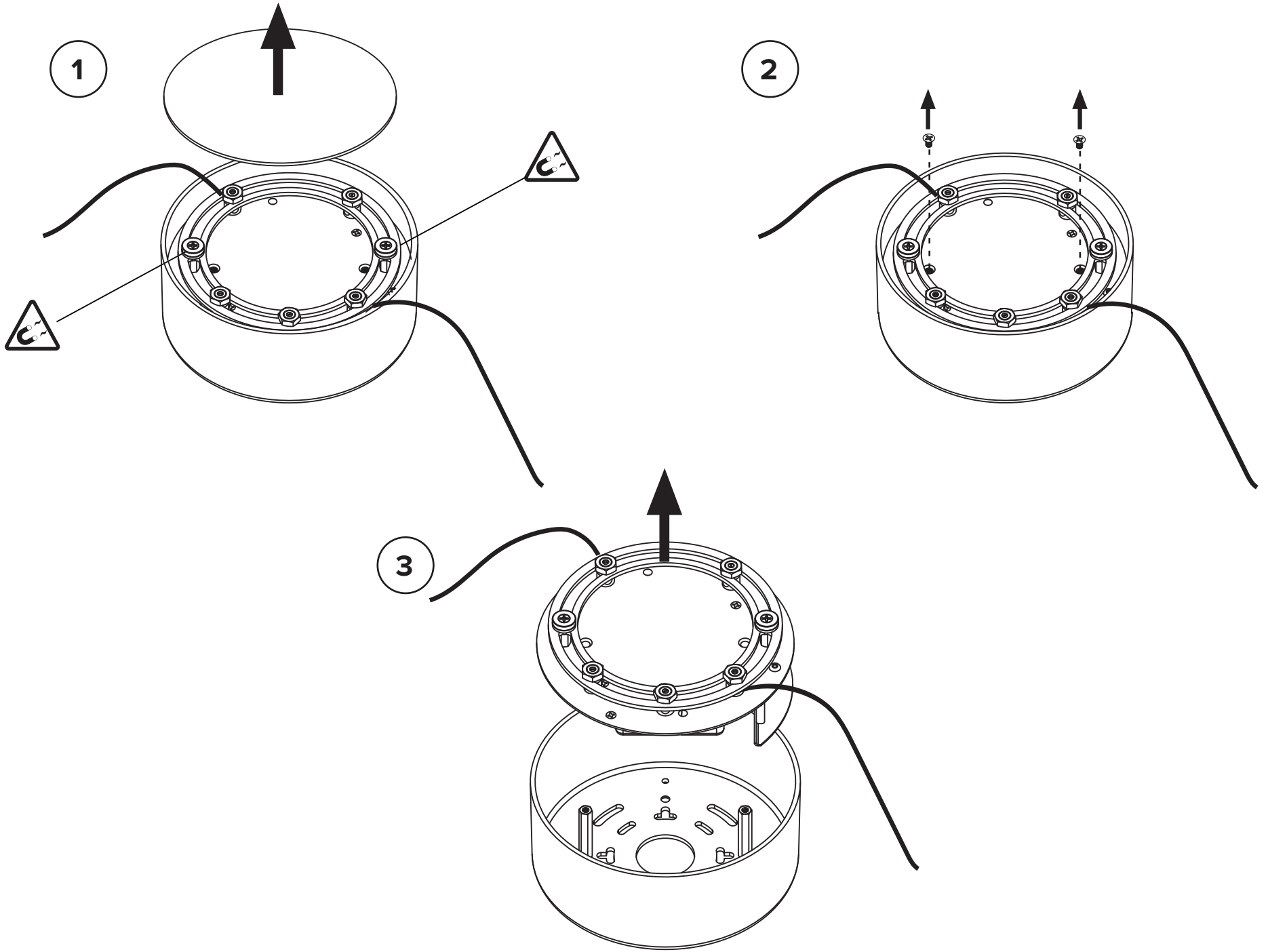


SILO 10

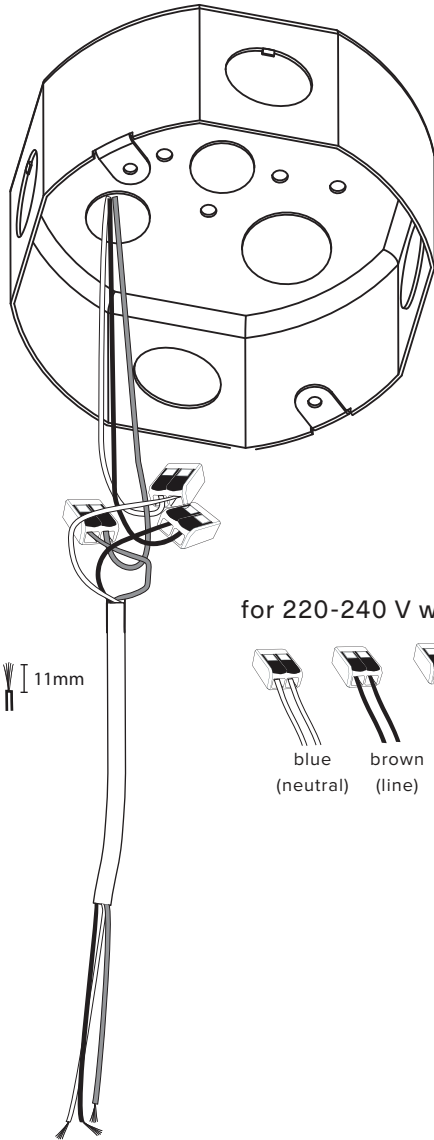


- Please read entire manual before beginning installation
- To be installed by an electrician to an electrical box
- Use appropriate screws where necessary
- Wear enclosed gloves when handling lamp
- Handle materials with care. Please consult lamp maintenance sheet on our web site

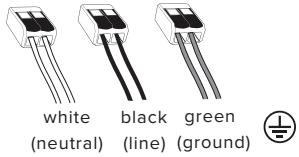


4

If provided, connect the extension harness to the junction box.

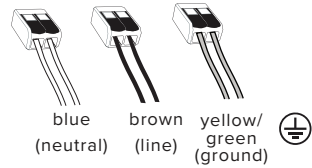


for 120 V wiring

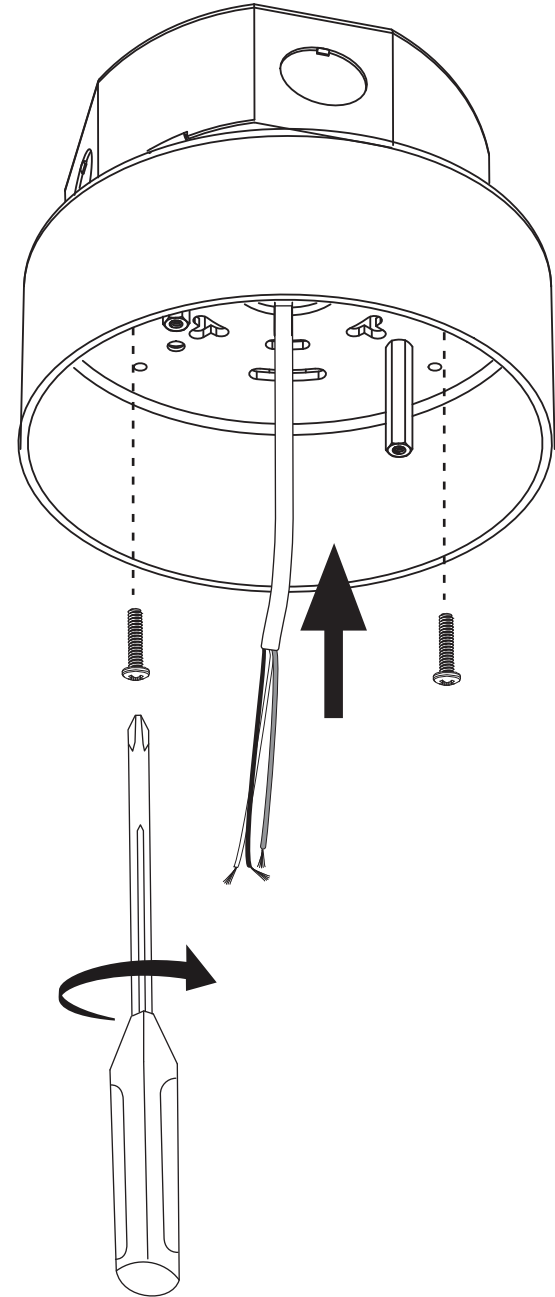


11mm

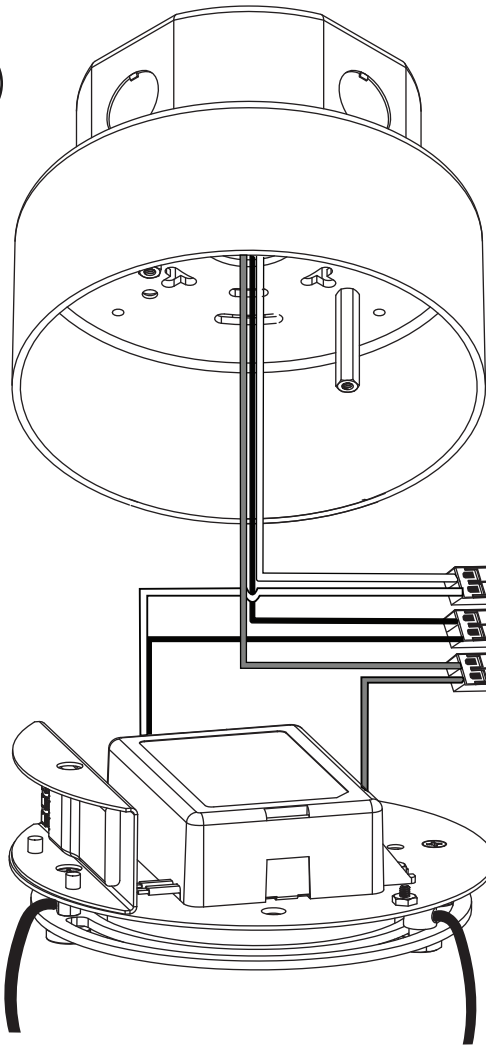
for 220-240 V wiring



5

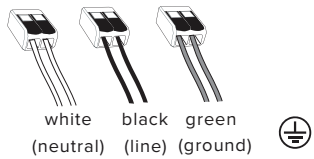


6

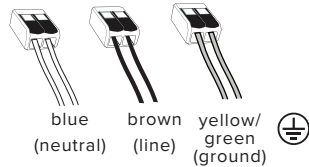


Neutral
Line
Ground ⊕

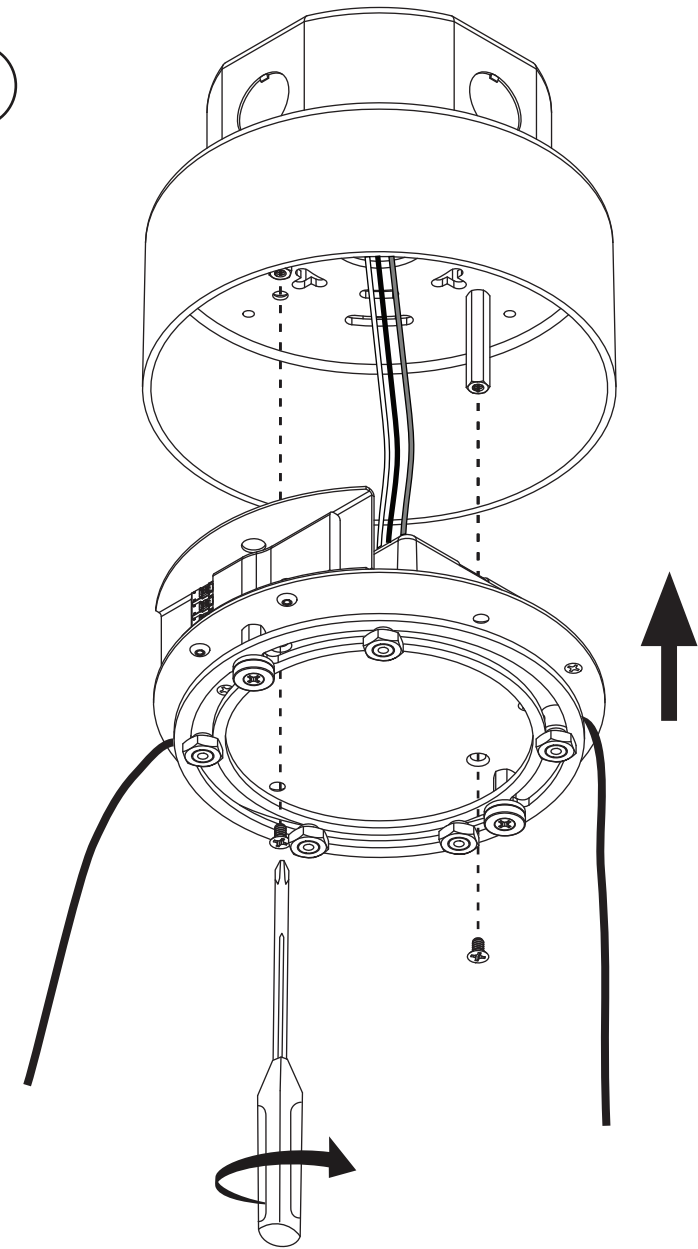
for 120 V wiring



for 220-240 V wiring

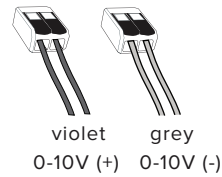


7

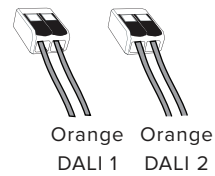


Dimming wiring
(if equipped)
If not using, cap
wires individually.

0-10V Dimming (if equipped)



DALI Dimming (If equipped)

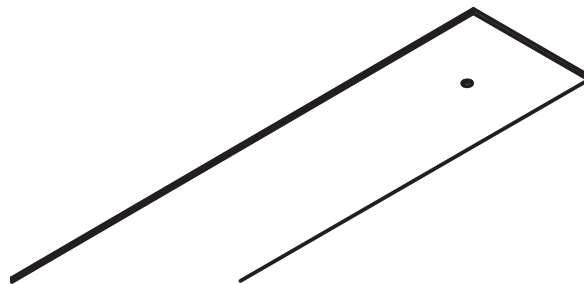
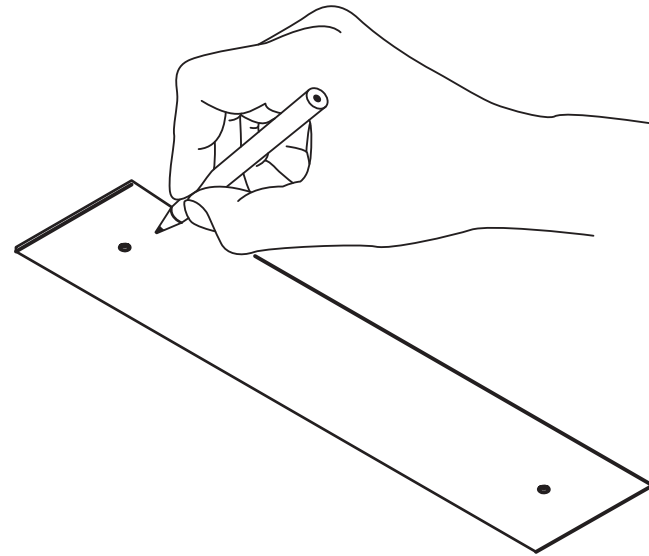
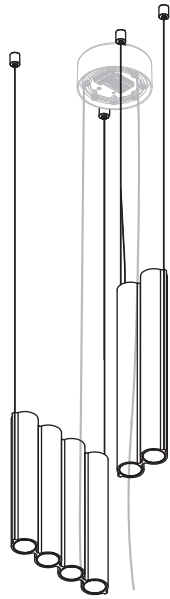


8

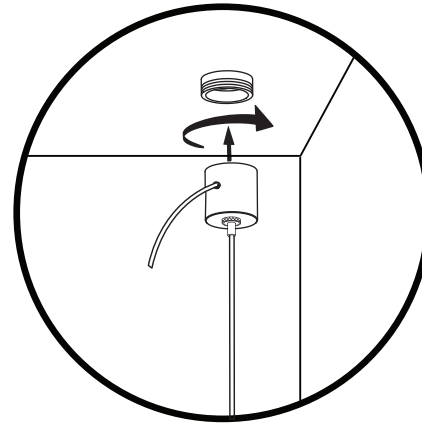
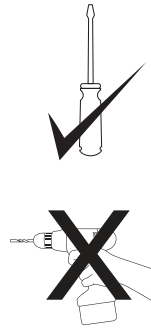
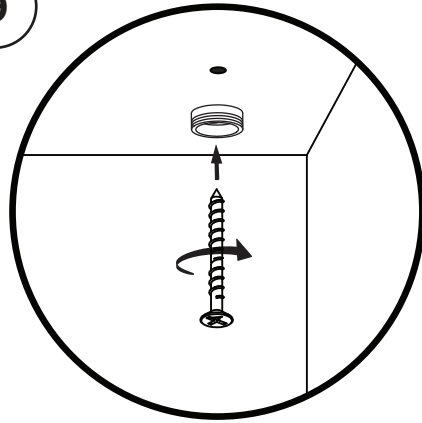
Choose your luminaire's position.

Use the templates provided at the end of the manual to position the luminaires and to mark your anchor locations.

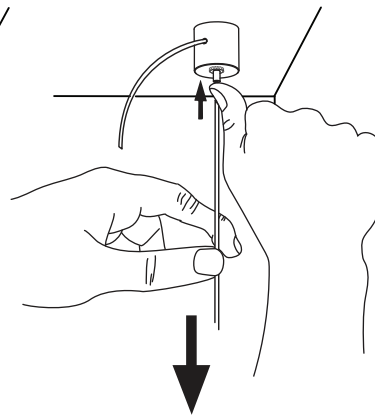
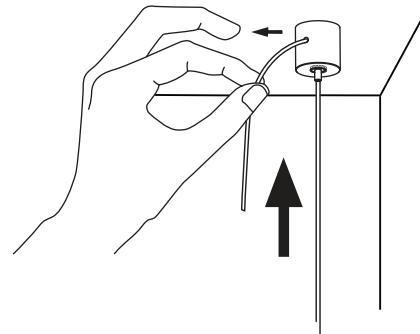
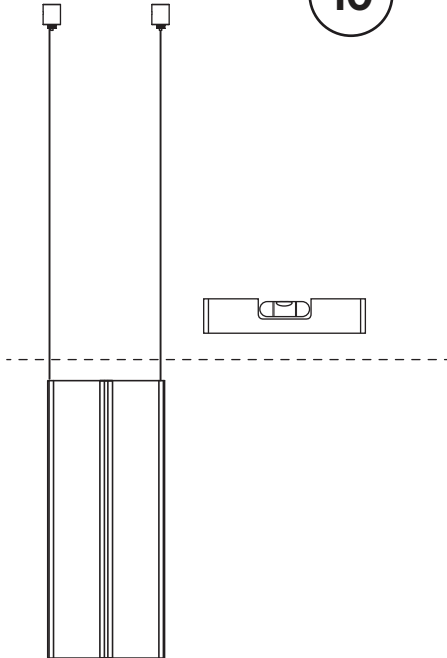
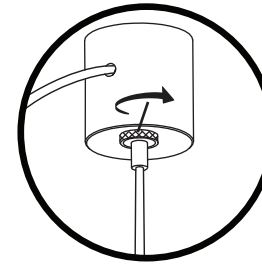
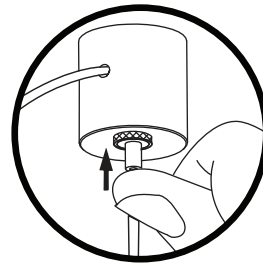
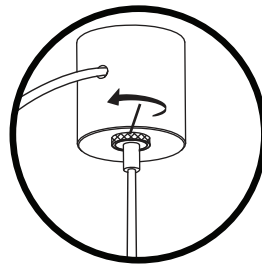
Note that the cord side of the luminaire should be positioned closest to the canopy.




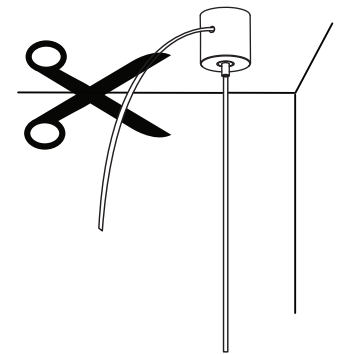
9



10

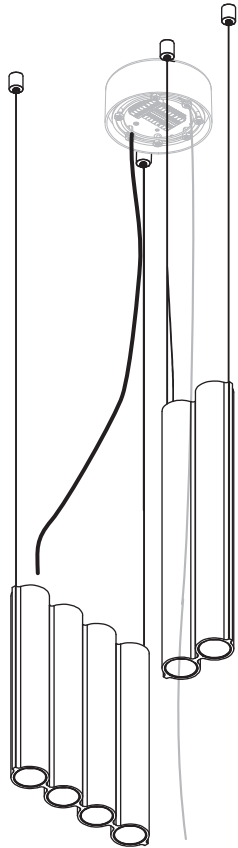



 Cut cables **ONLY** after
 installation is complete
 and luminaires are level.



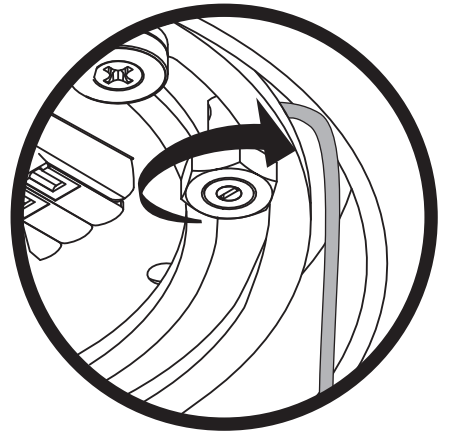
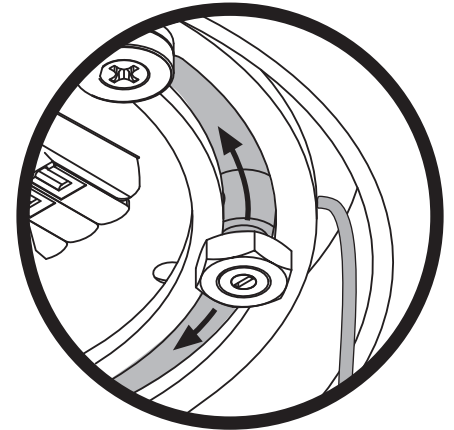
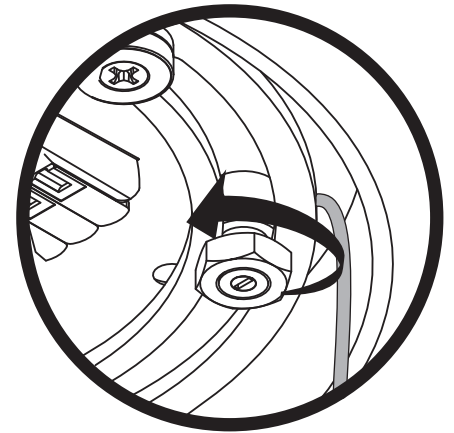
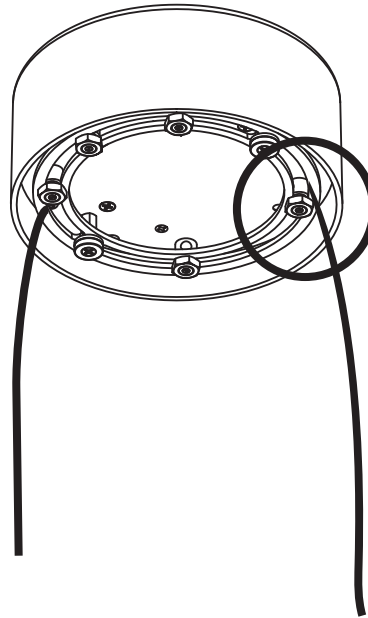
11

Choose canopy cord set closest to luminaire before adjusting cord length.

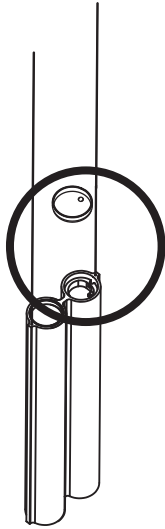


If cord location within the canopy needs to be repositioned:

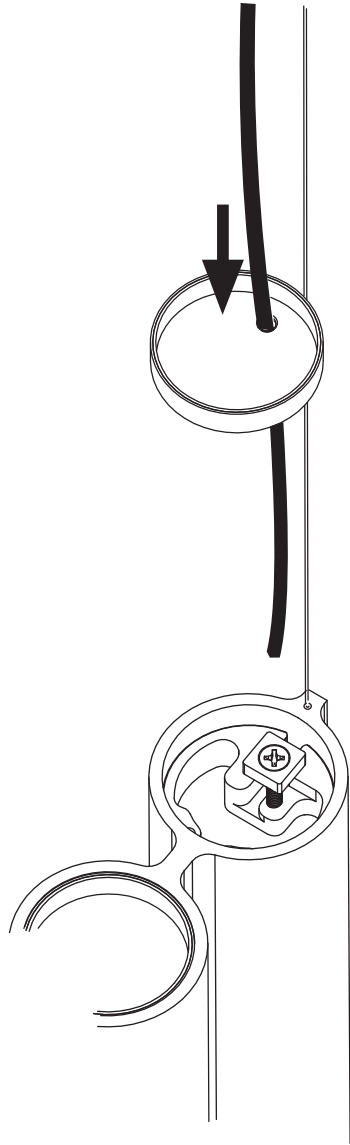
- hold the cable and gently loosen hex nut
- move wire along slot
- hold cable and gently retighten hex nut, do not put unnecessary pressure.



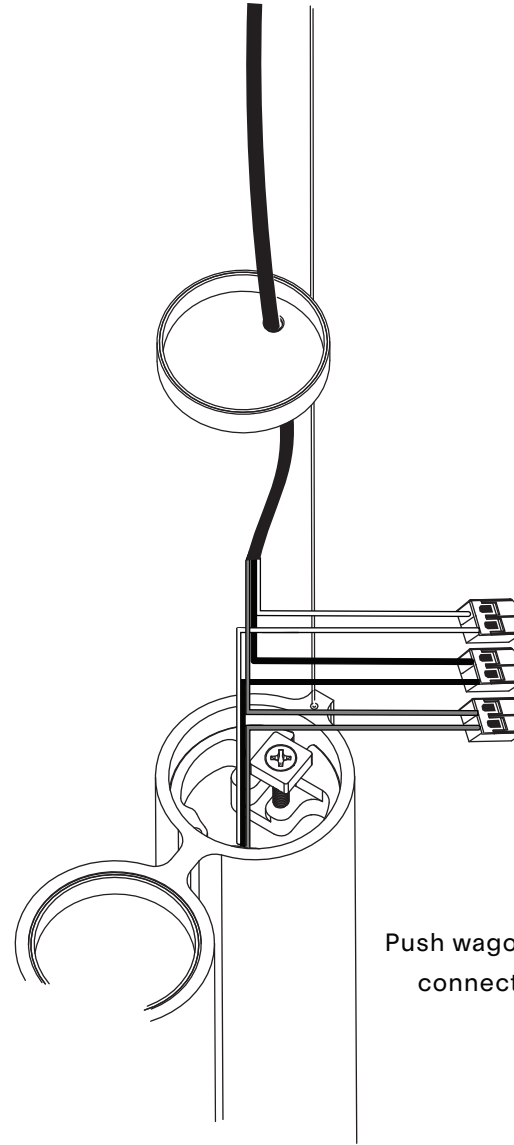
Determine desired cord length.



12



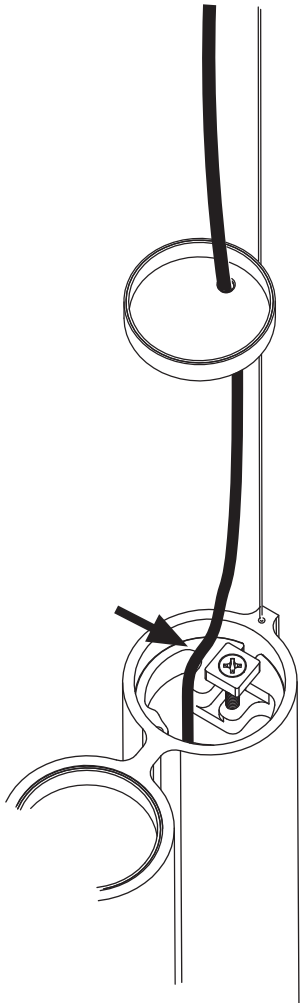
13



white to white
black to black
red to red

Push wagos into body after
connections are made

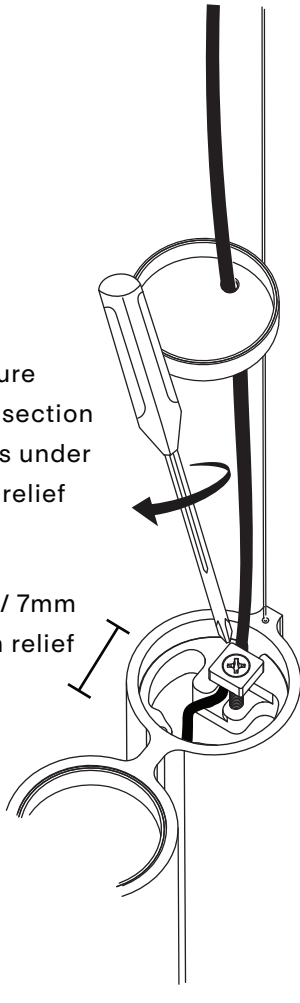
14



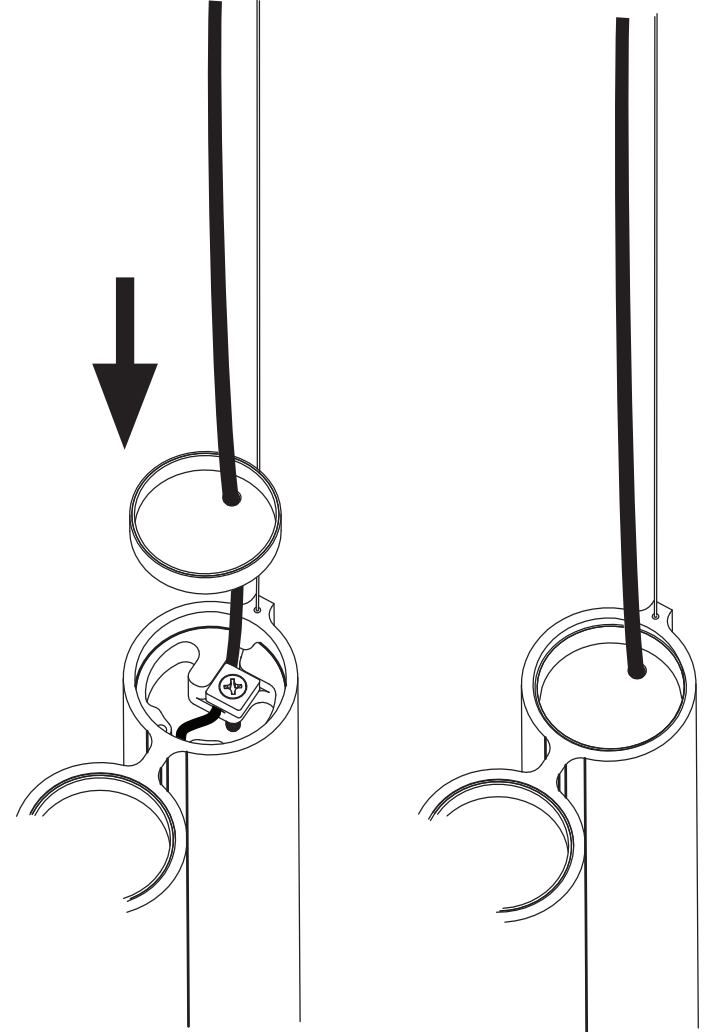
15

Make sure
the sleeved section
of the wire is under
the strain relief

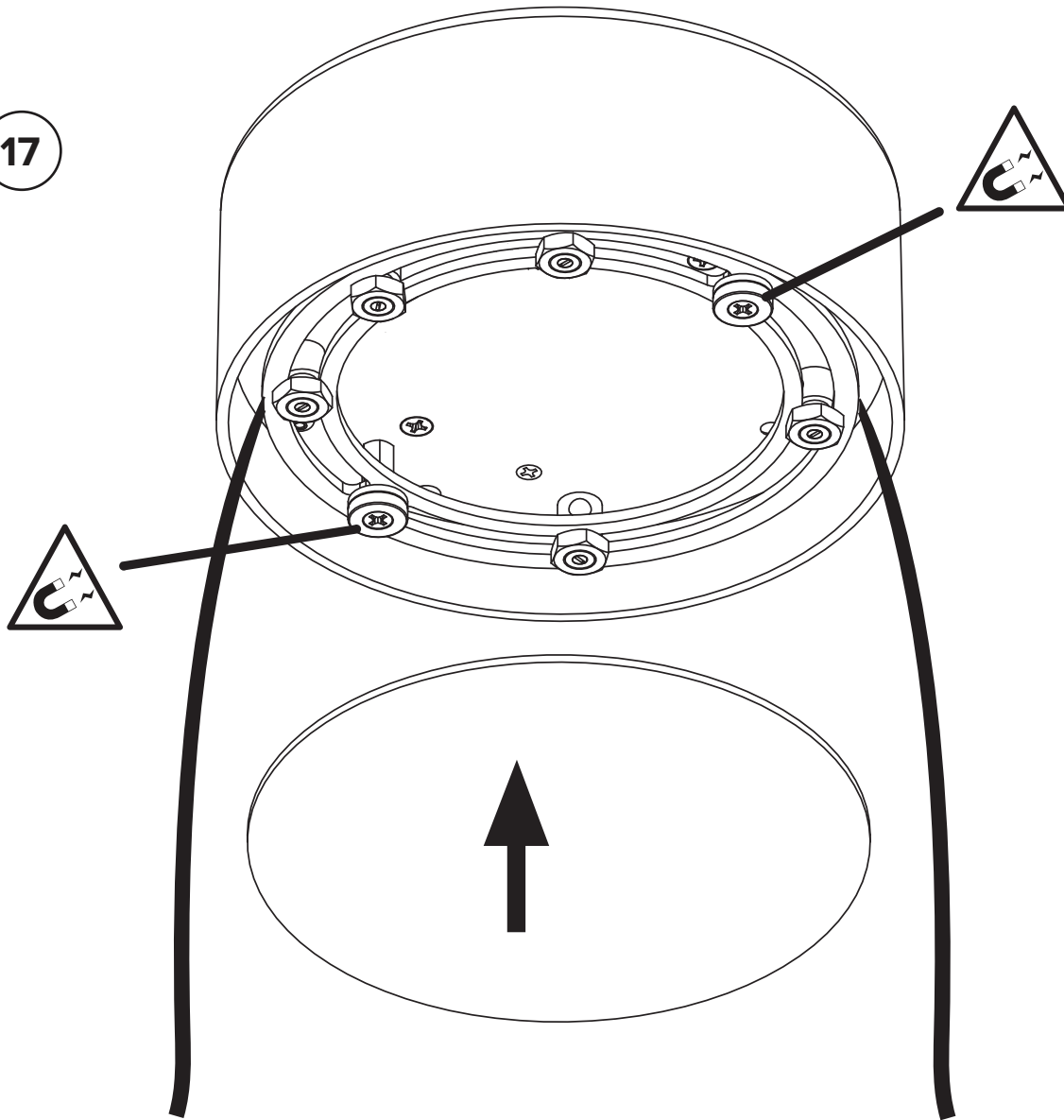
leave 1/4" / 7mm
after strain relief



16



17



Recommended installation plan

