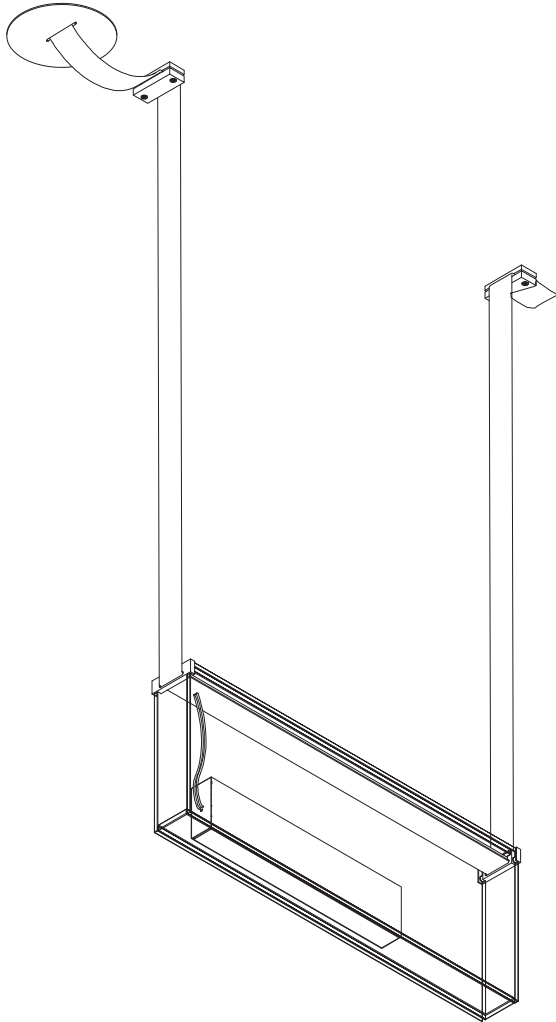

SAINTE 220-240V

Recessed canopy
Plenum (non insulated) or remote installation



WARNING - ACRYLIC PRODUCT **IMPORTANT NOTICE**

Take extra care when handling or moving the acrylic shade of the luminaire. Avoid touching it with any tools and keep away from any hard or abrasive surfaces (like rings, jewellery, watches, etc.). The edges and corners are especially fragile.

Keep the acrylic clean and wear gloves at all times. Do not put hands inside the acrylic body unnecessarily. This will allow for less cleaning and less chance to damage the acrylic.

If your acrylic shade is warm or cold, let it rest at room temperature before installation.

Read and follow all steps carefully allowing the appropriate time for each step. Rushing the installation may cause accidents or damage.



**Never turn on power supply
until installation is completed**



- Please read entire manual before installation
- To be installed by an electrician
- Use appropriate screws and anchors where necessary
- Wear enclosed gloves when handling lamp
- Handle materials with care. Please consult lamp maintenance sheet on our web site

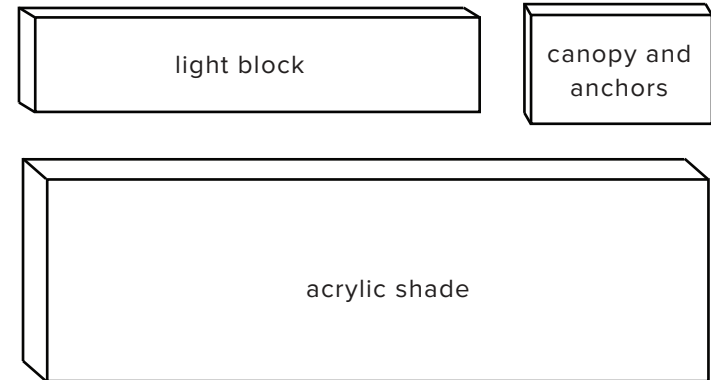


PLEASE NOTE

ALL SAINTE MODELS FOLLOW
THE SAME INSTALLATION PROCESS.

Each luminaire comes shipped in three boxes.

To protect the luminaire do not open the boxes until
the installation process requires it.

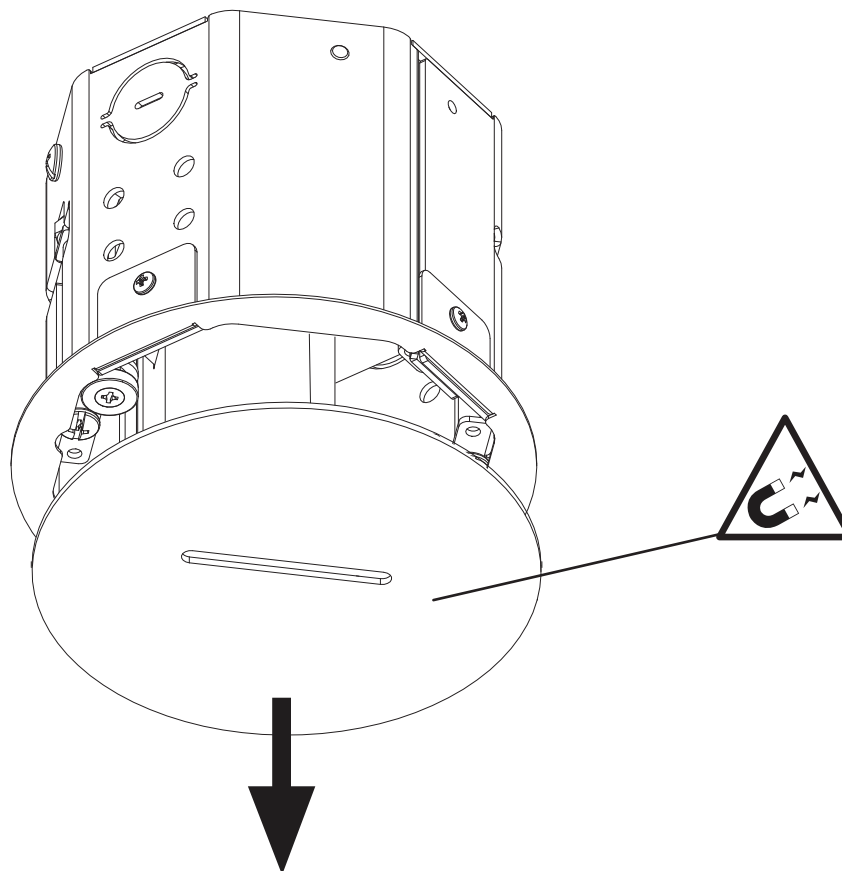


*One pair of scissors has been
provided for each order. If you
order several Saintes, only one
pair will be provided.

1

Remove Octobox cover plate.

Refer to:
Annex (independent driver) - page 19



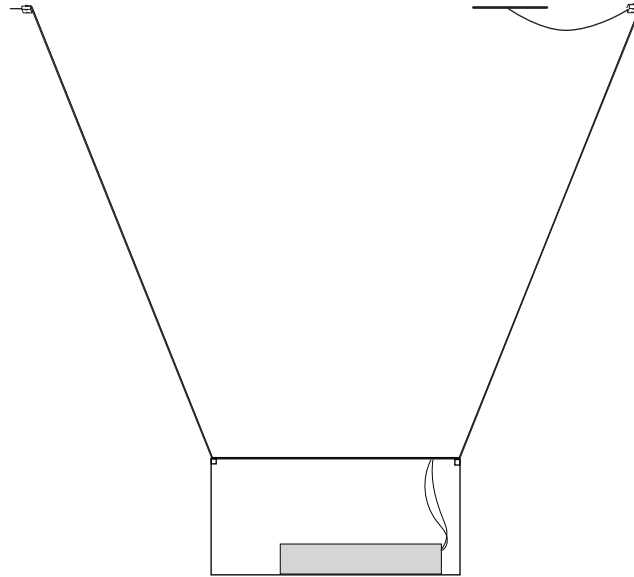
Close the cover plate before
returning to the luminaire installation.

INSTALL CEILING ANCHORS

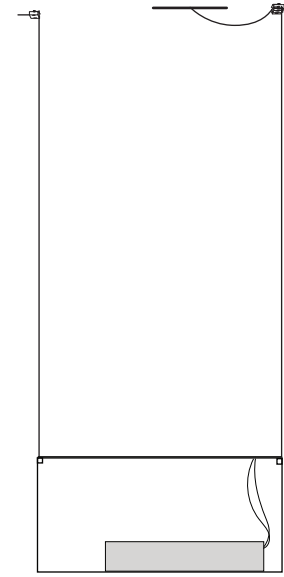
2

Determine the setup of your luminaire, either angled or parallel.

angled



parallel

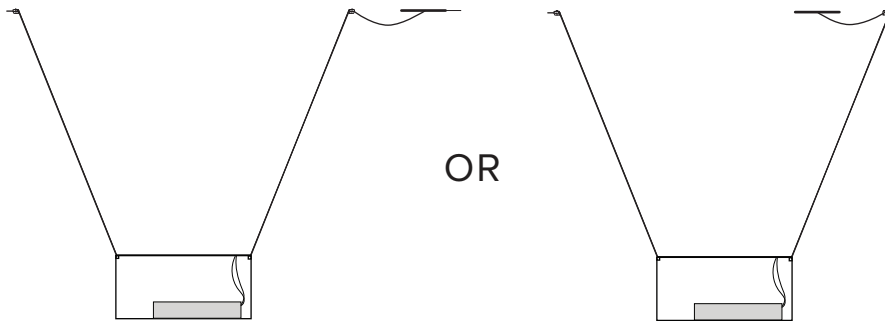


OR

Choose the placement of your canopy, either exterior or interior

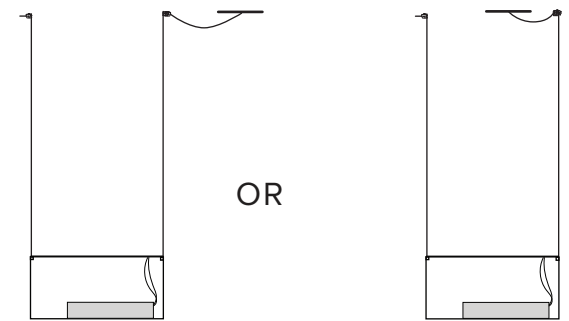
exterior

interior



exterior

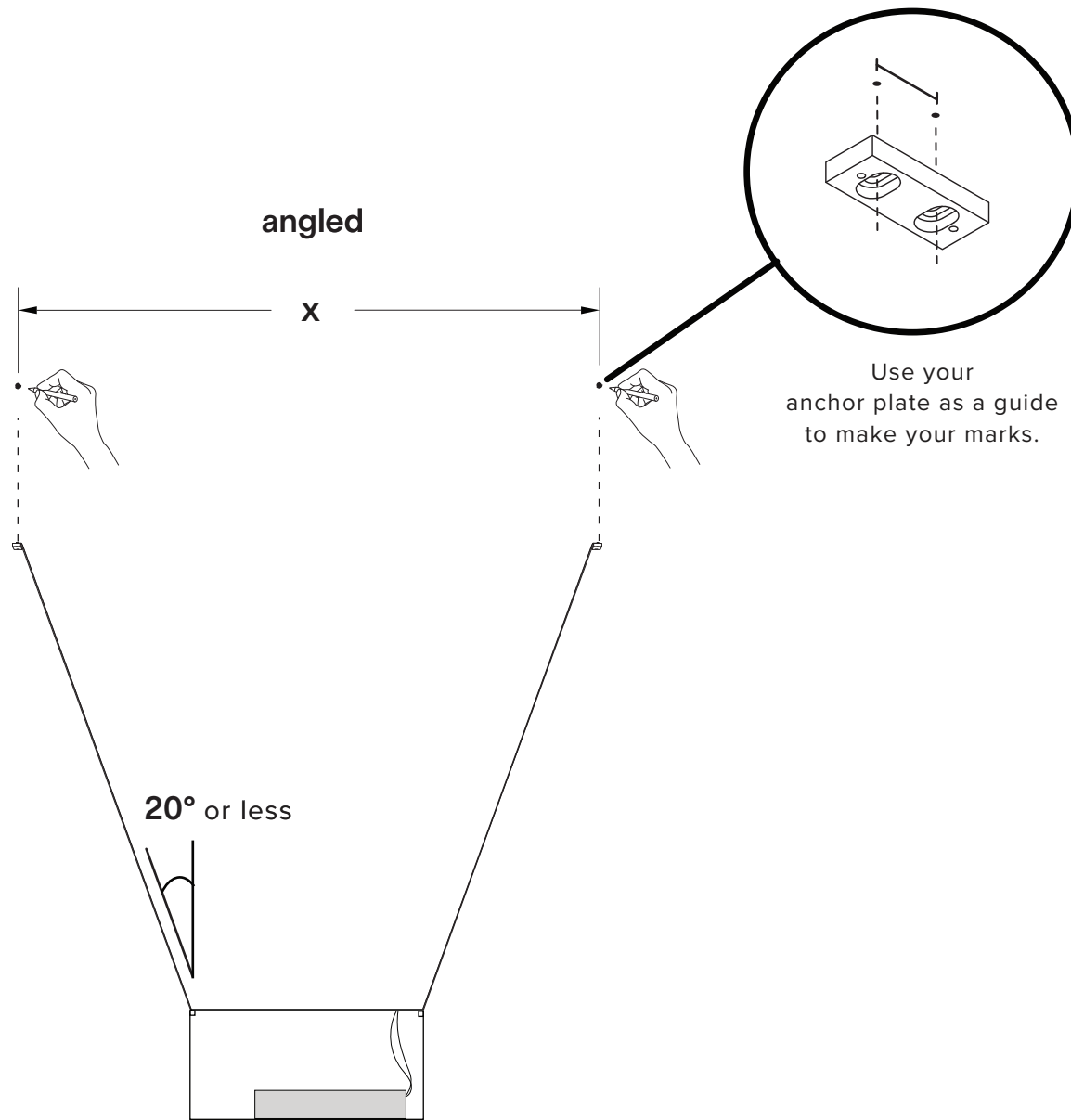
interior



3

For angled mark
your **X** dimension.

The distance is from center
to center of each anchor.



Use your
anchor plate as a guide
to make your marks.

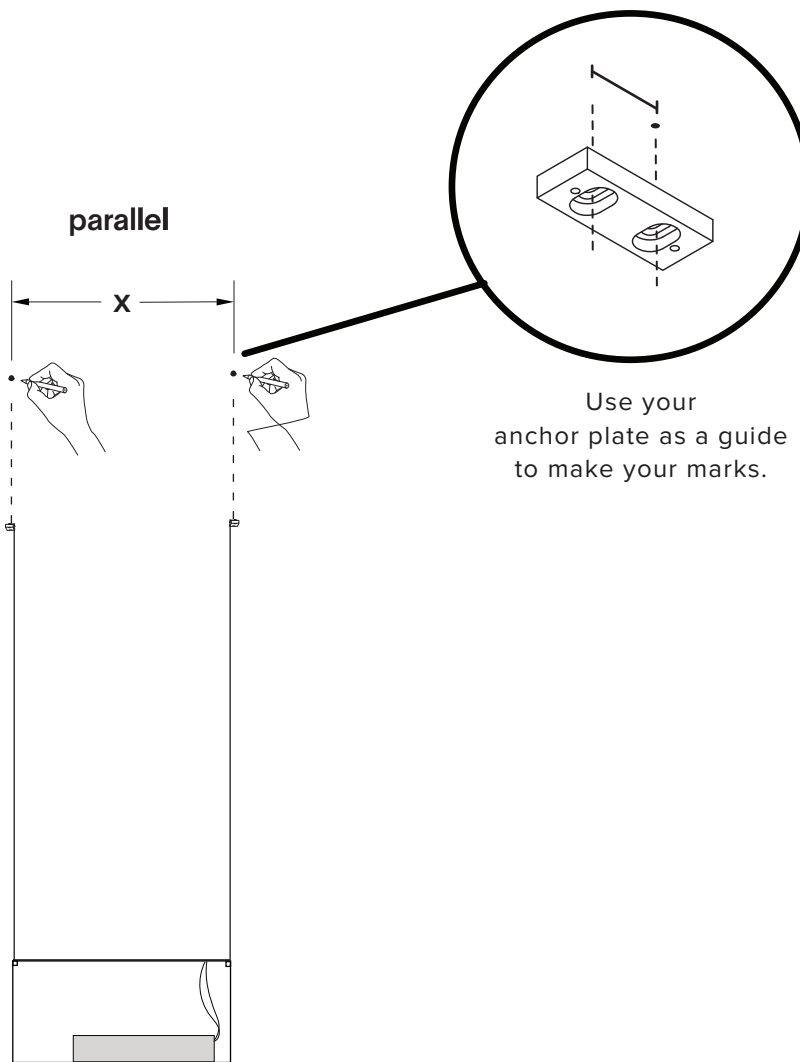
Choose your distance **X**
for angled as long as it is less
than 20°.

4

For parallel mark your **X** dimension.

The distance is from center to center of each anchor.

Note that dimensions vary for interior or exterior canopy.



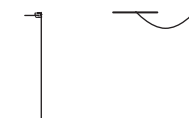
Use your anchor plate as a guide to make your marks.

For **X** refer to the distance chart for your model.



EXTERIOR CANOPY

X =	SAINTE 01	31 ³ / ₈ " / 79.7 cm
	SAINTE 02	19 ⁷ / ₈ " / 50.5 cm
	SAINTE 03	16 ³ / ₈ " / 41.6 cm
	SAINTE 04	9 ³ / ₈ " / 23.8 cm
	SAINTE 05	23 ⁷ / ₈ " / 60.6 cm
	SAINTE 06	49 ⁵ / ₈ " / 126 cm
	SAINTE 07	25 ⁵ / ₈ " / 65.1 cm
	SAINTE 08	21 ⁵ / ₈ " / 54.9 cm
	SAINTE 09	28 ⁵ / ₈ " / 72.7 cm



INTERIOR CANOPY

X =	SAINTE 01	30 ¹ / ₄ " / 76.8 cm
	SAINTE 02	18 ³ / ₄ " / 47.6 cm
	SAINTE 03	15 ¹ / ₄ " / 38.7 cm
	SAINTE 04	not possible for this model
	SAINTE 05	22 ³ / ₄ " / 57.8 cm
	SAINTE 06	48 ¹ / ₄ " / 122.6 cm
	SAINTE 07	24 ¹ / ₄ " / 61.6 cm
	SAINTE 08	20 ¹ / ₄ " / 51.4 cm
	SAINTE 09	27 ¹ / ₄ " / 69.2 cm

5

Install the aluminum ceiling anchors.

*** Use appropriate mounting hardware (not provided) for the weight of your luminaire**

SAINTE 01 14.3 lb / 6.5 kg

SAINTE 02 21.7 lb / 9.8 kg

SAINTE 03 18.3 lb / 8.2 kg

SAINTE 04 7.1 lb / 3.2 kg

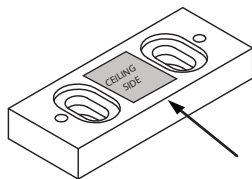
SAINTE 05 15.1 lb / 6.8 kg

SAINTE 06 41.8 lb / 18.6 kg

SAINTE 07 44.1 lb / 20 kg

SAINTE 08 42.1 lb / 19.1 kg

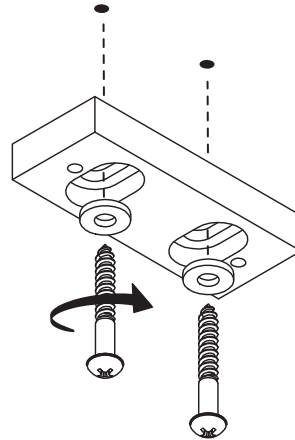
SAINTE 09 31 lb / 14.1 kg



Note the ceiling side of the anchor is clearly labelled with a sticker.

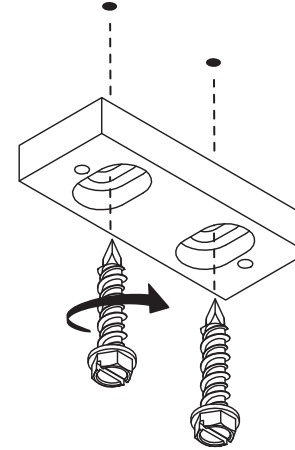


Make sure screw heads are fully immersed into the holes.



Assembly with NO.8 screws (or other) and washers (included)

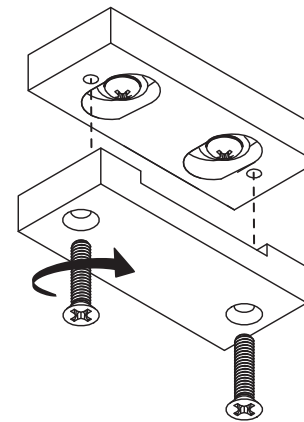
OR



Assembly with Tapcon no washers required

6

Partially screw the top plate of the anchor to temporarily allow the ribbon to freely pass through.

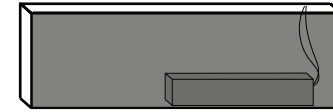


DETERMINE ORIENTATION OF THE GLASS SHADE AND THE ELECTRICAL SIDE

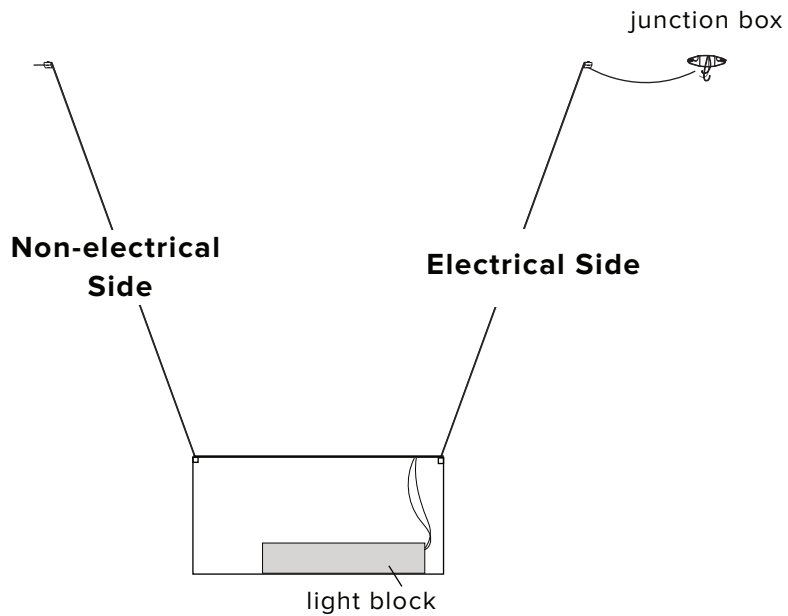
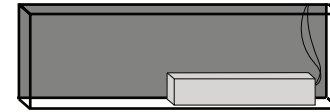
7

The light block should be on the same side as your junction box

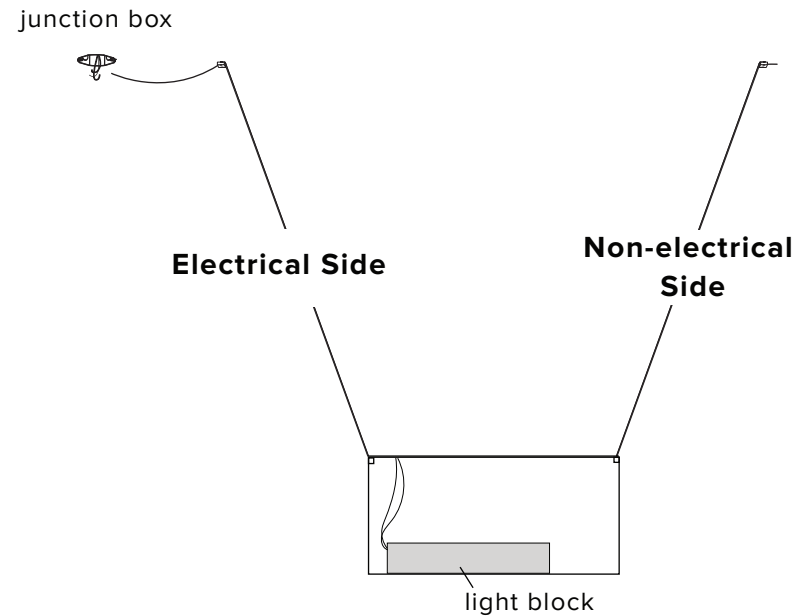
Choose the orientation for acrylic shades with different finishes on both sides.



OR



OR

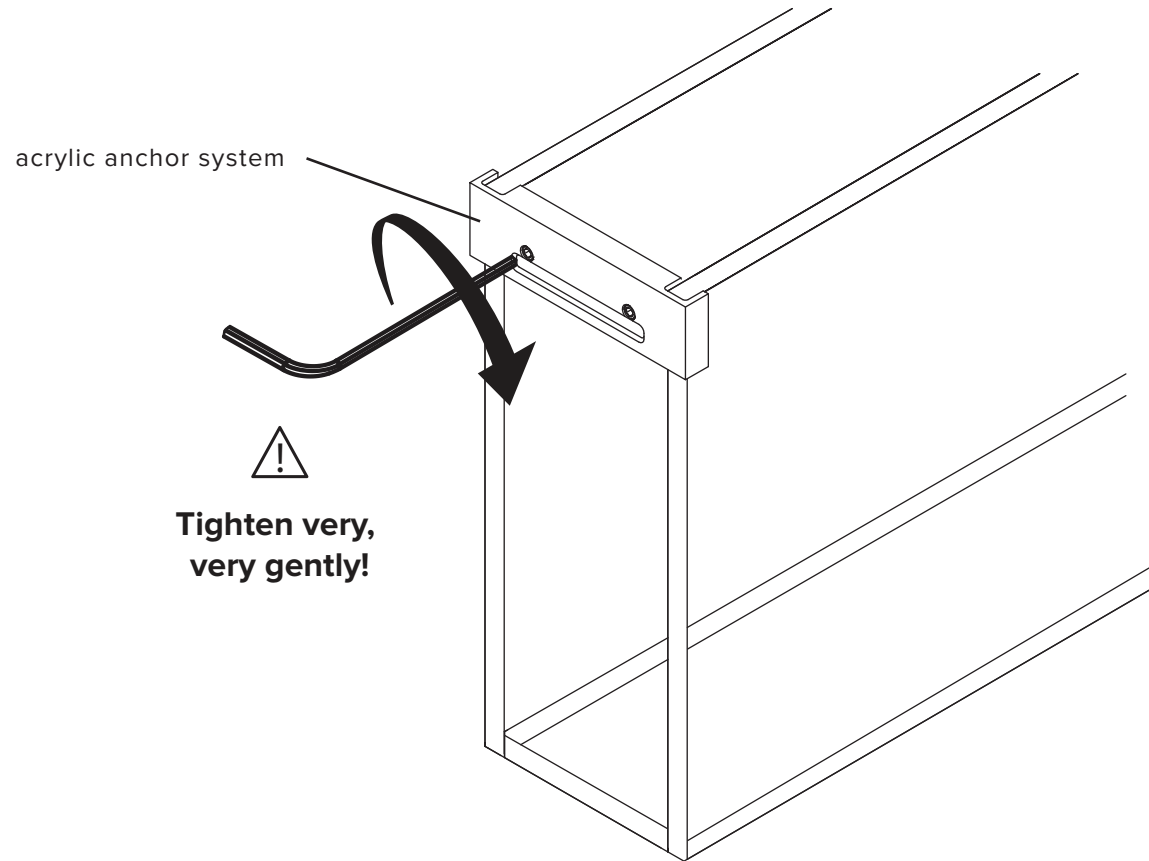
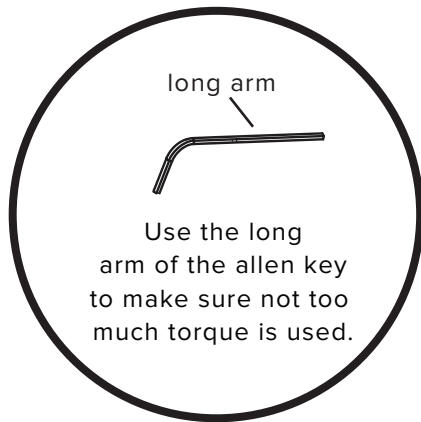


PREPARE THE ACRYLIC SHADE

8

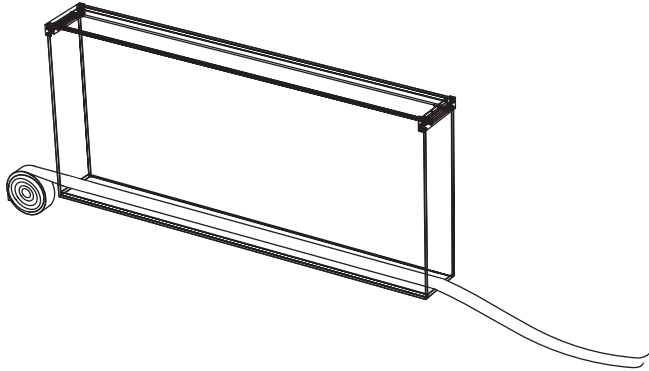
To ensure a secure assembly, gently tighten the four screws equally. Tighter 1/4 turn at a time while alternating screws.

Ensure that there is slight pressure on the acrylic, that the pressure is equally balanced and that there is no movement in the acrylic anchor system.

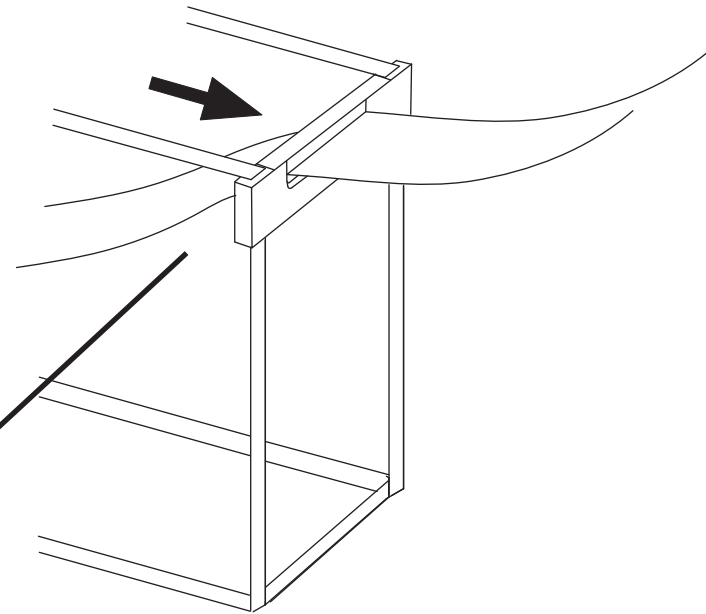
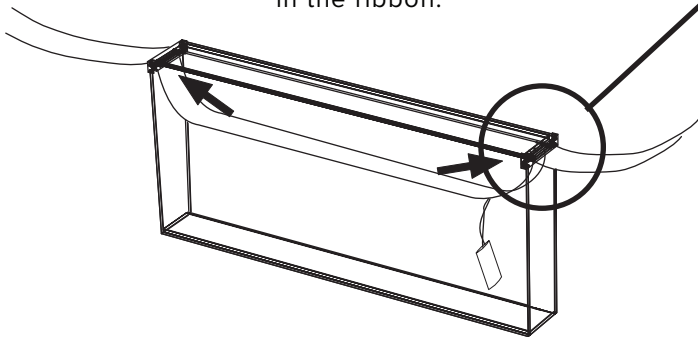


9

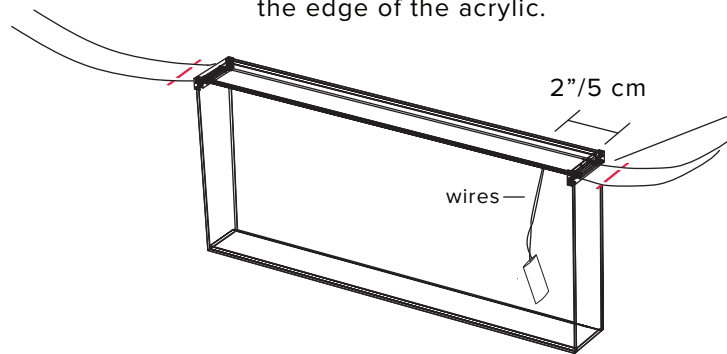
Place acrylic body on a flat, non abrasive surface. Undo twist ties and un-roll the ribbons.



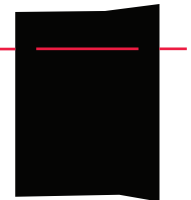
Pass both ribbons through the acrylic anchor system. Make sure there are no twists in the ribbon.



Pull ribbon until the acrylic shade is centered in between the two positioning threads. The wires should be approximately 2"/5cm from the edge of the acrylic.



Positioning thread



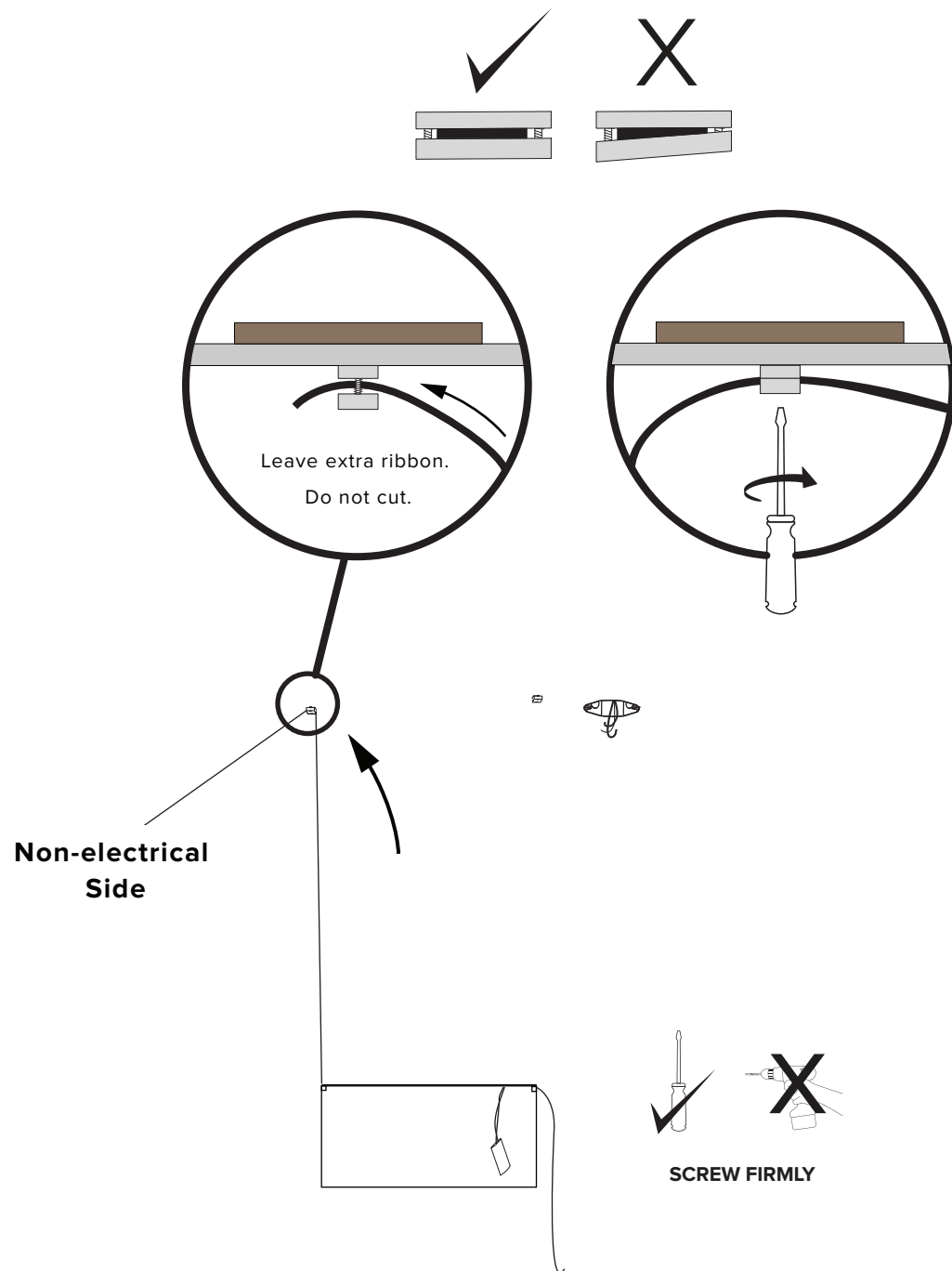
Do not remove positioning thread until the installation is complete.

INSTALL THE LUMINAIRE

10

Pass the ribbon through each ceiling anchor. Make sure to leave enough ribbon for connection on the electrical side. Tighten ceiling anchors when desired length is achieved.

Make sure there are no twists in the ribbon.



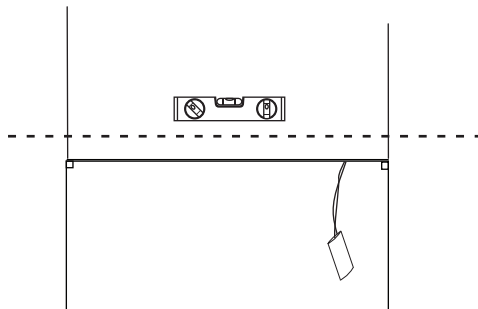
Non-electrical Side

SCREW FIRMLY

11

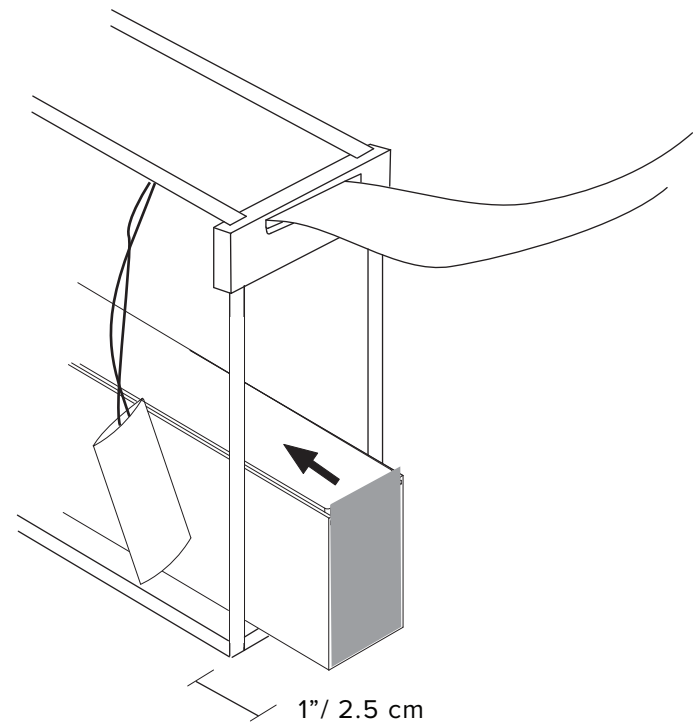
Ensure that the acrylic body is level and centered in between the positioning threads. If needed, adjust height. Then remove positioning threads from the ribbon.

Make sure to not scratch or damage your acrylic shade.



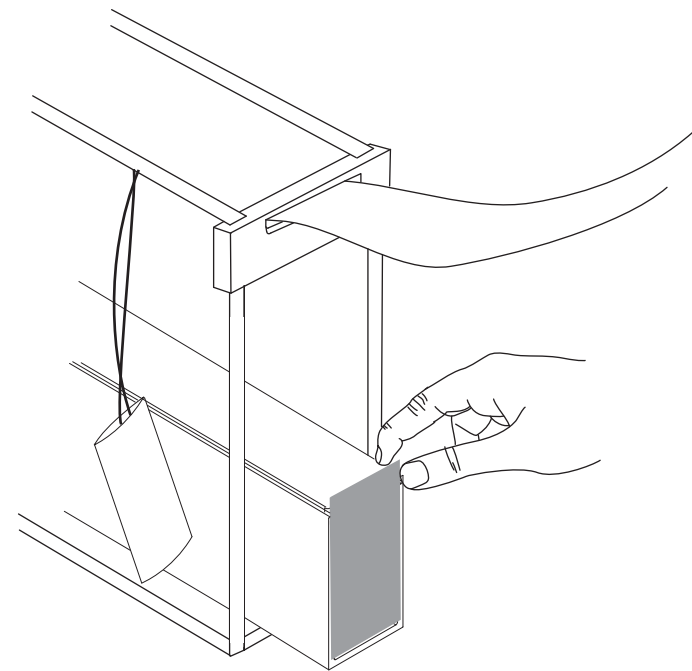
12

Insert light block into body and leave it sticking out 1" / 2.5 cm from the edge.



13

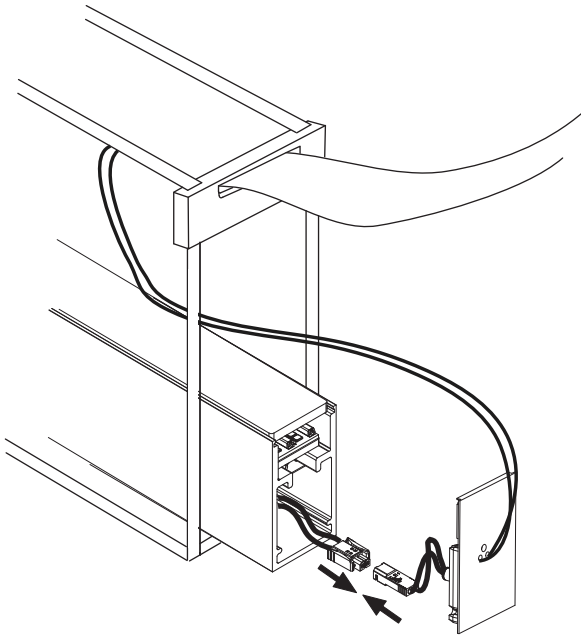
Remove protective tape.



14

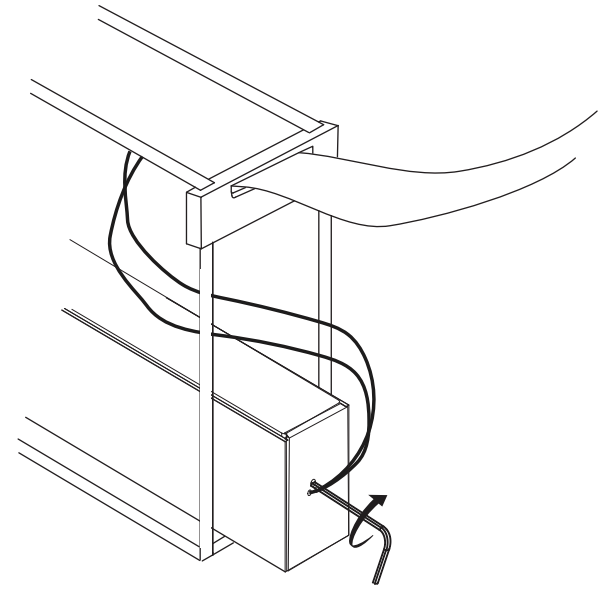
Remove end cap
from foam pouch.

Make connection
with quick connectors.



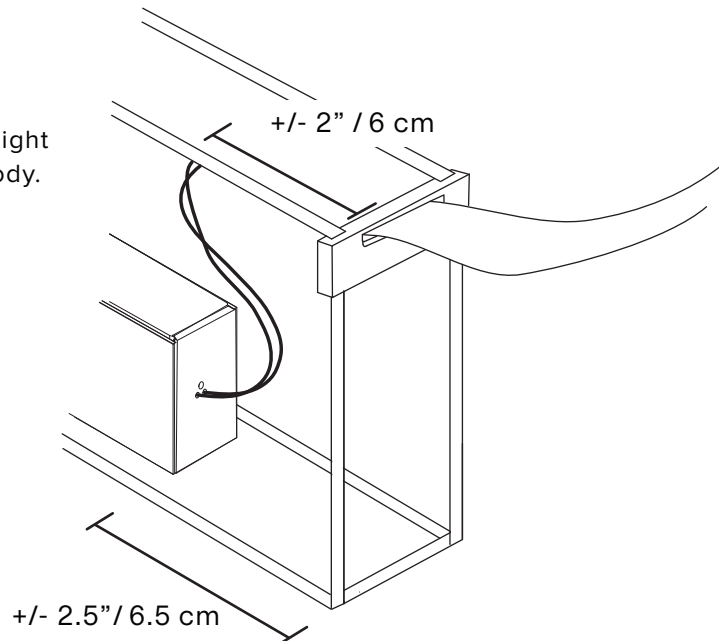
15

Carefully screw on
the endcap.

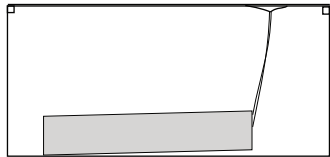
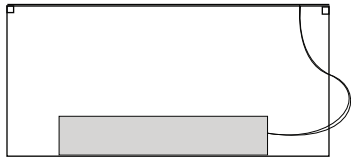
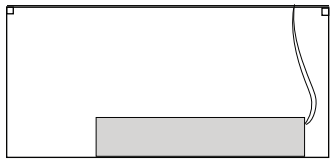


16

Carefully slide the light
block inside the body.

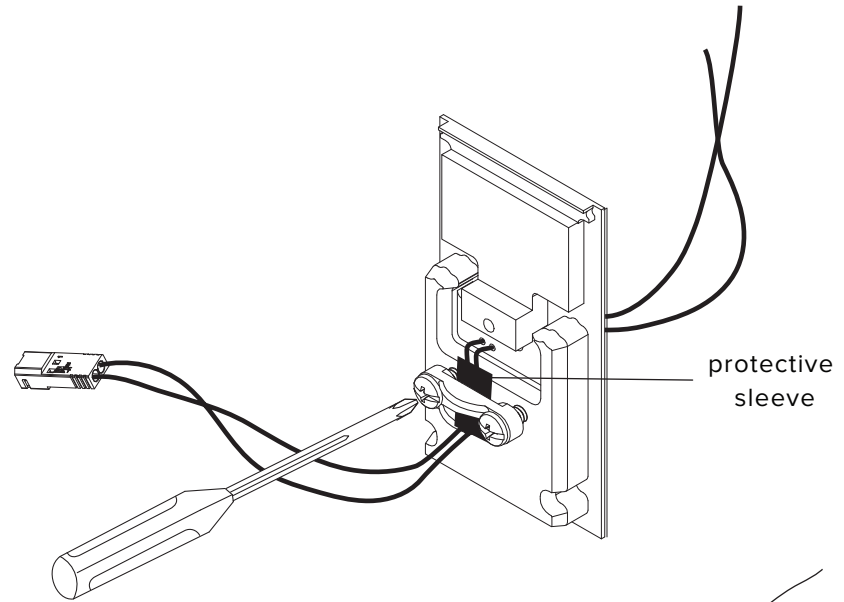


Make sure the wires do not stick out past the edge of the acrylic shade and that they sit properly.

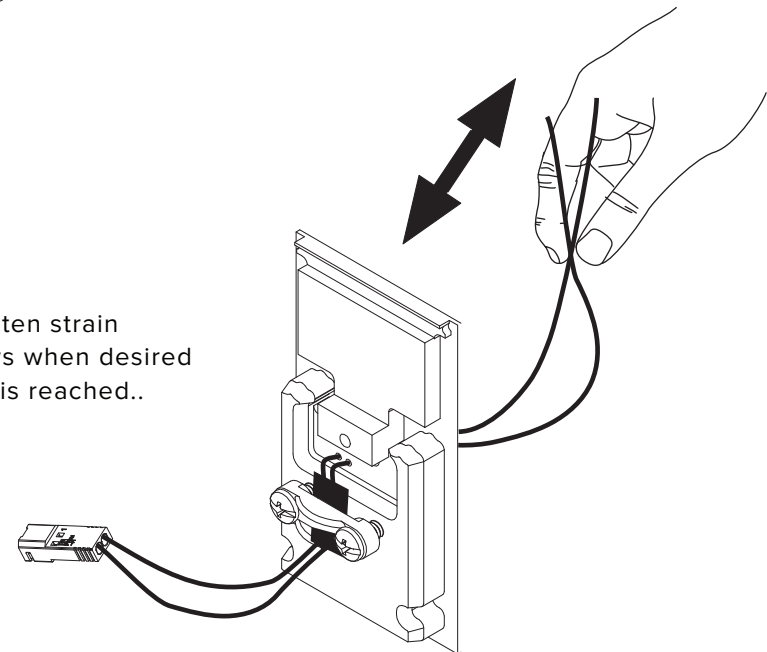


If your wires are too short or too long, unscrew end cap, loosen strain relief screws on, pull wires out further while making sure the protective sleeve stays under the strain relief.

Pull out / push in extra wires

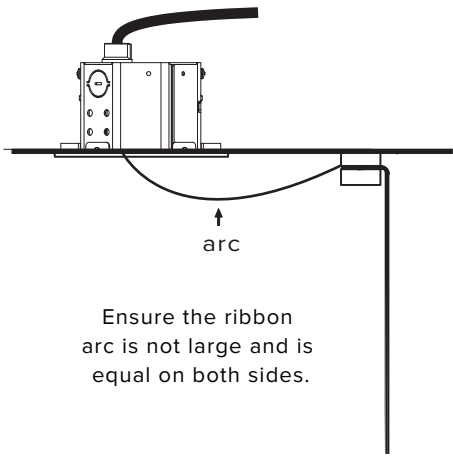


Retighten strain relief screws when desired length is reached..



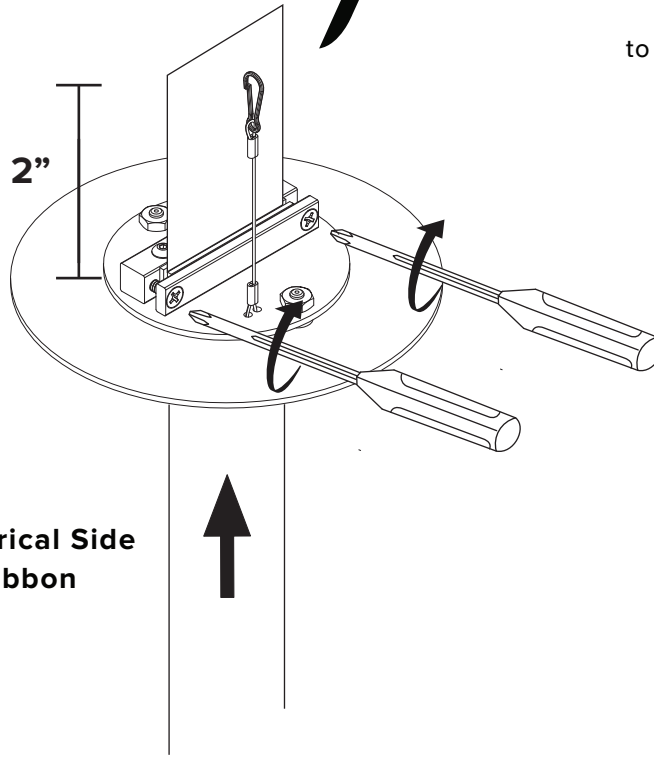
minimum 1-2" / 2.5-5cm

The following steps should be done as close to the ceiling as possible to provide the desired ribbon arc.



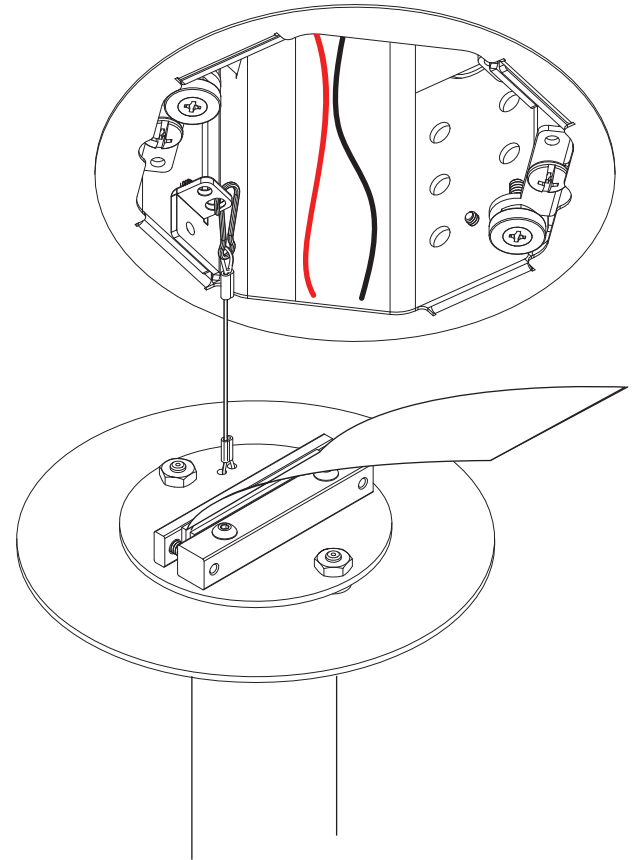
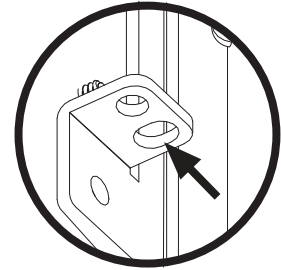
Ensure the ribbon arc is not large and is equal on both sides.

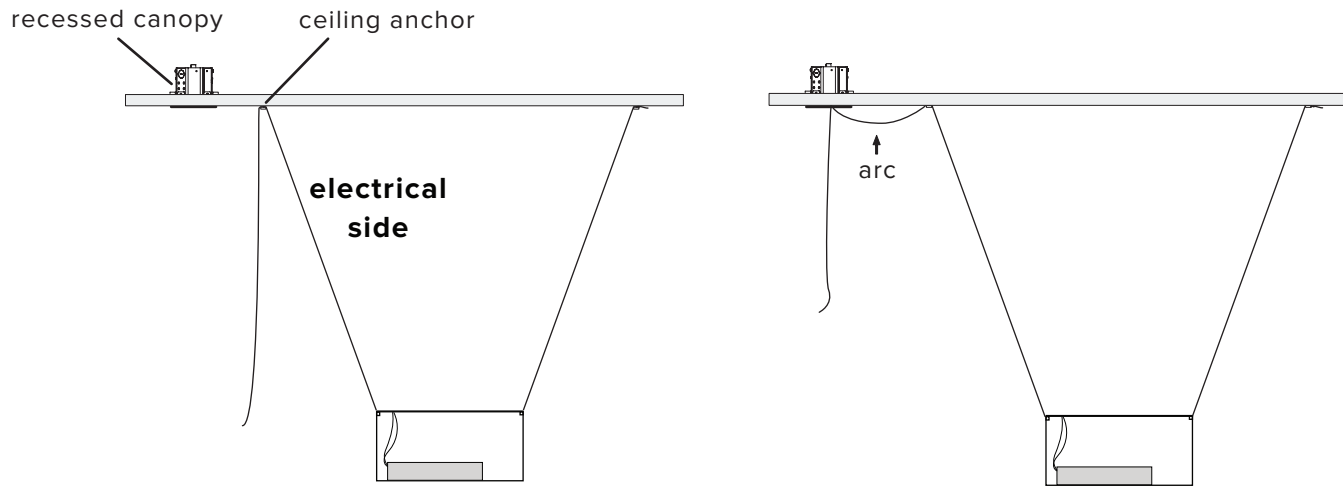
17



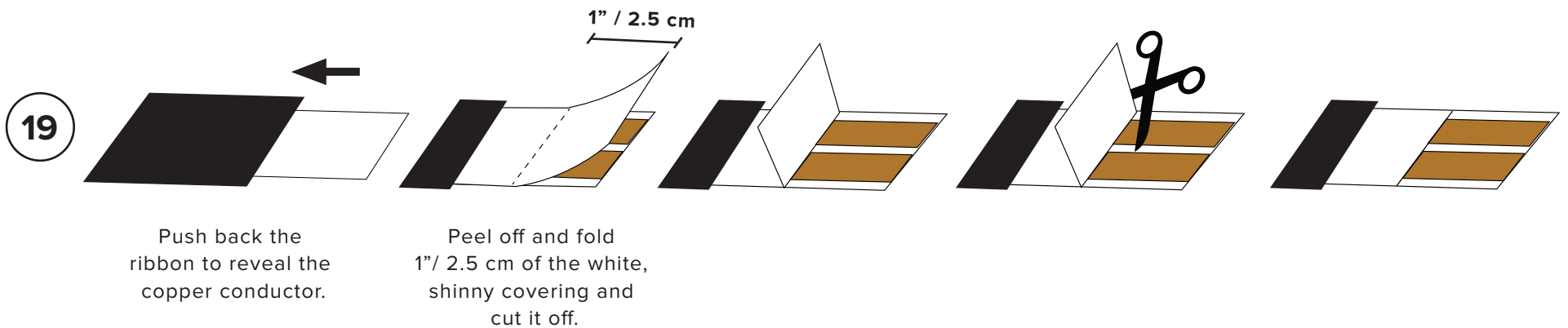
18

Clip canopy cover to octobox to secure it.



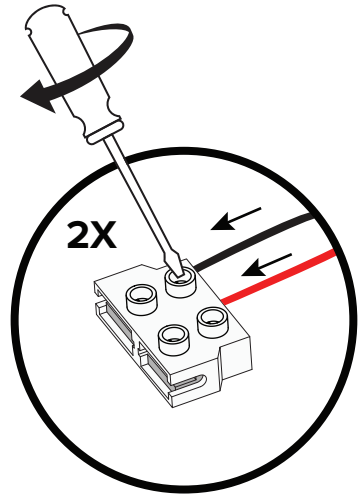
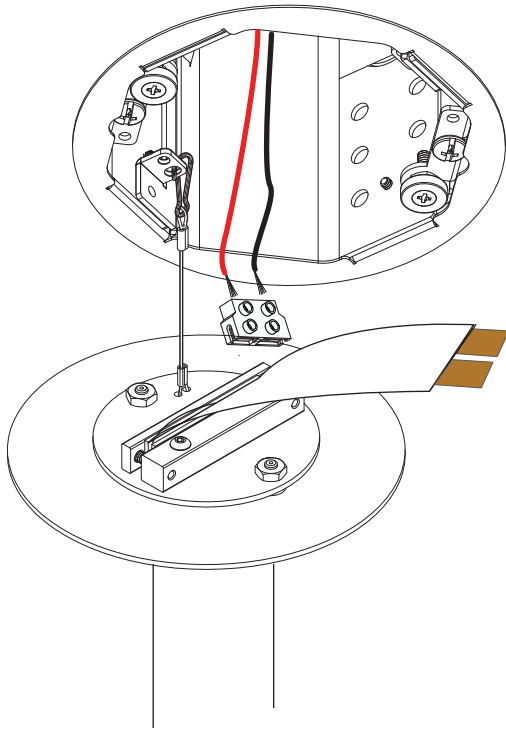


UNSLEEVE CONDUCTORS

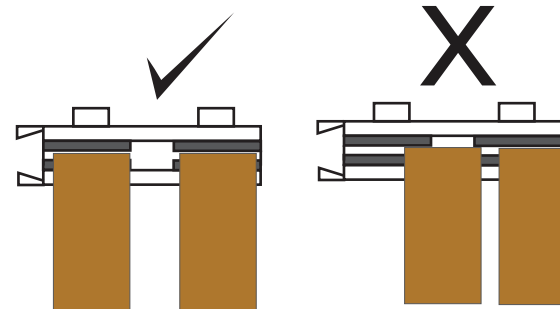
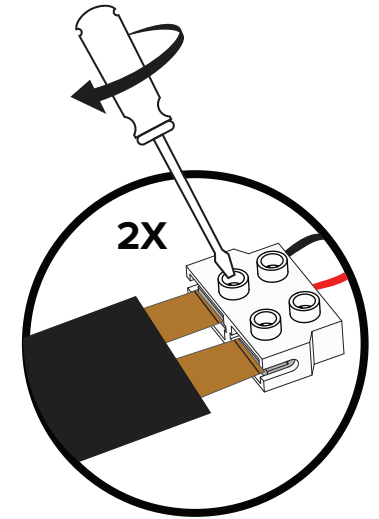
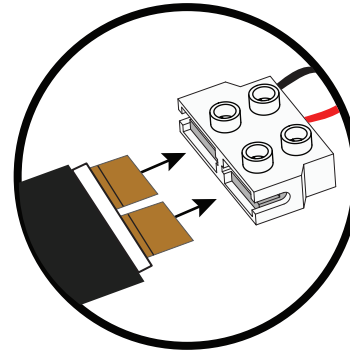


20

Attach connector to junction box, then connect ribbons to connector.

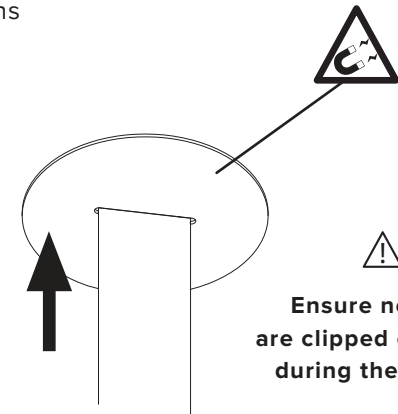


Both slots are the same and will receive either ribbon. (Polarity is not important)



Do not overlap ribbons in both connectors

21

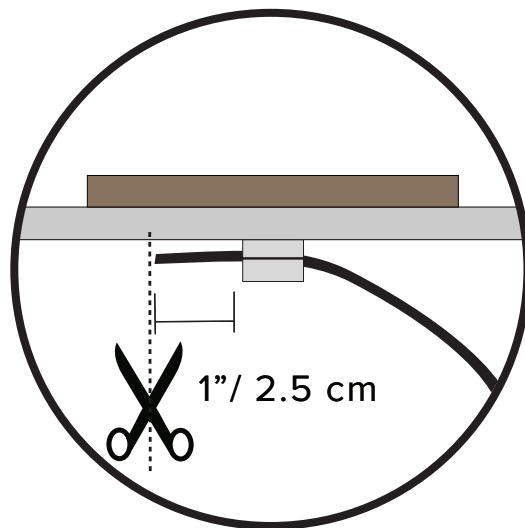


Ensure no wires are clipped or pinched during these steps.

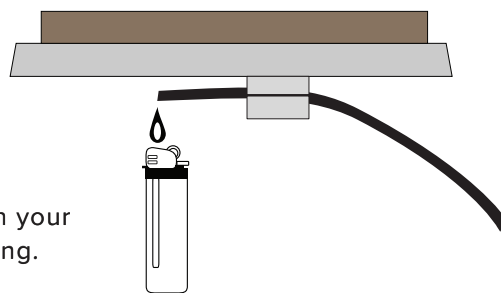
FINAL VERIFICATION

22

When the luminaire is at the desired height and level, trim ribbon 1" / 2.5 cm after the anchor.

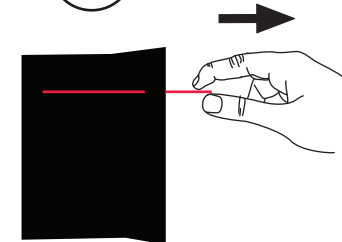


The extremity of the trimmed ribbon can be melted with the flame of a lighter for a few seconds to prevent fraying.



Be careful not to burn your fingers or the ceiling.

23



Pull out positioning thread

24

Use a feather duster or microfiber cloth to remove dust.

To clean finger prints, smudges or dirt on the acrylic, gently and very carefully clean the inside and outside of the shade using water and a microfiber cloth, then a dry microfiber cloth.

Do not use abrasive products or contaminated cloth as it could result in scratches on the surface!

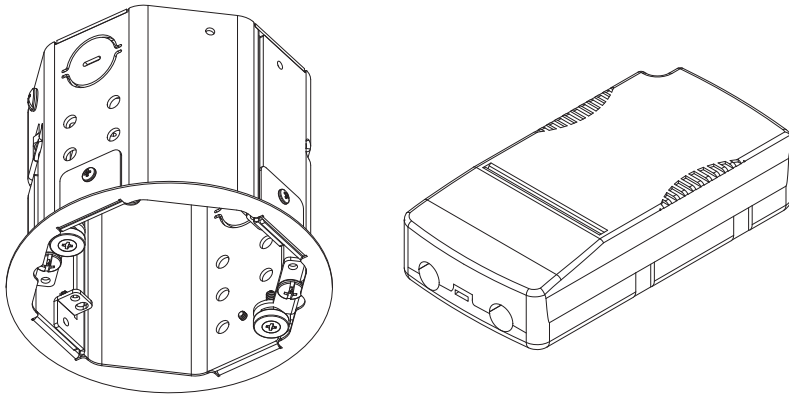


**AVOID LIQUIDS
ON THE RIBBON, WIRES
AND LIGHT BLOCK**



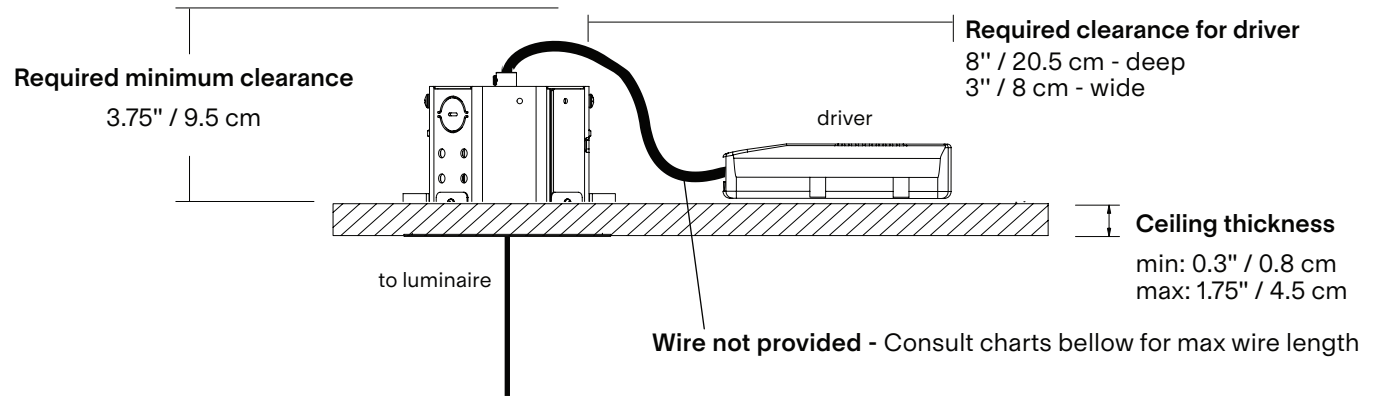
RECESSED CANOPY INSTALLATION

Octobox with independent driver



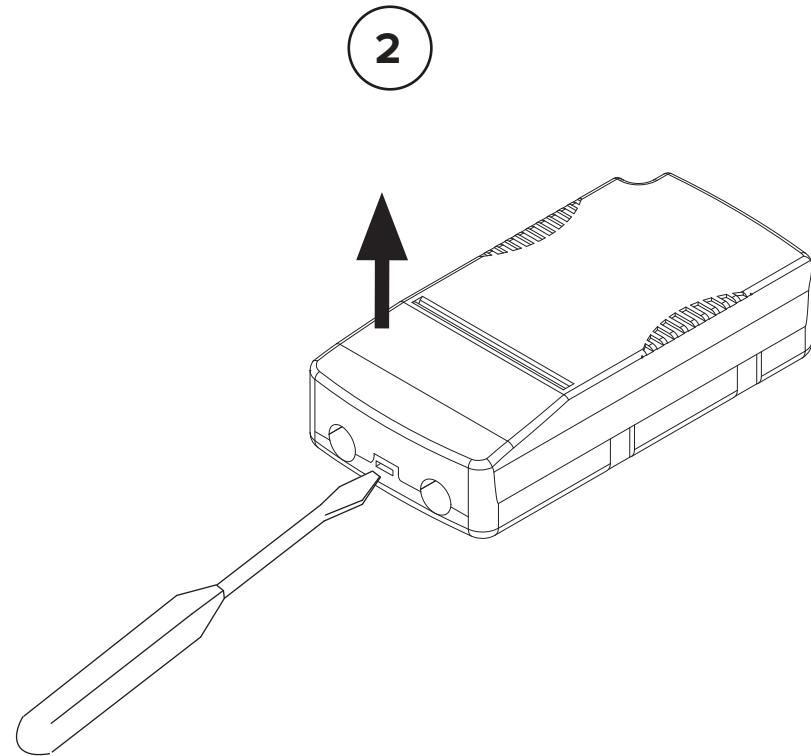
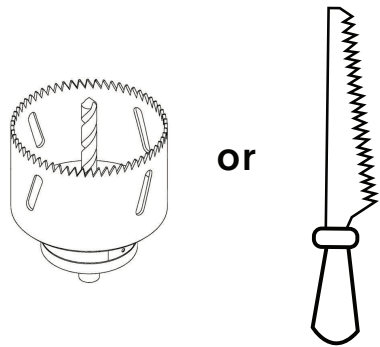
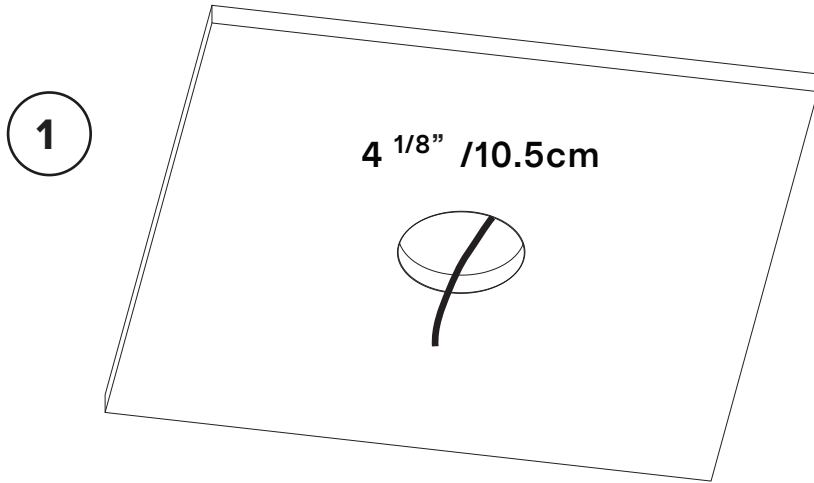
- Please read entire manual before beginning installation
- To be installed by an electrician
- Use appropriate screws where necessary
- For non-insulated hollow ceiling
- Wires for plenum not provided

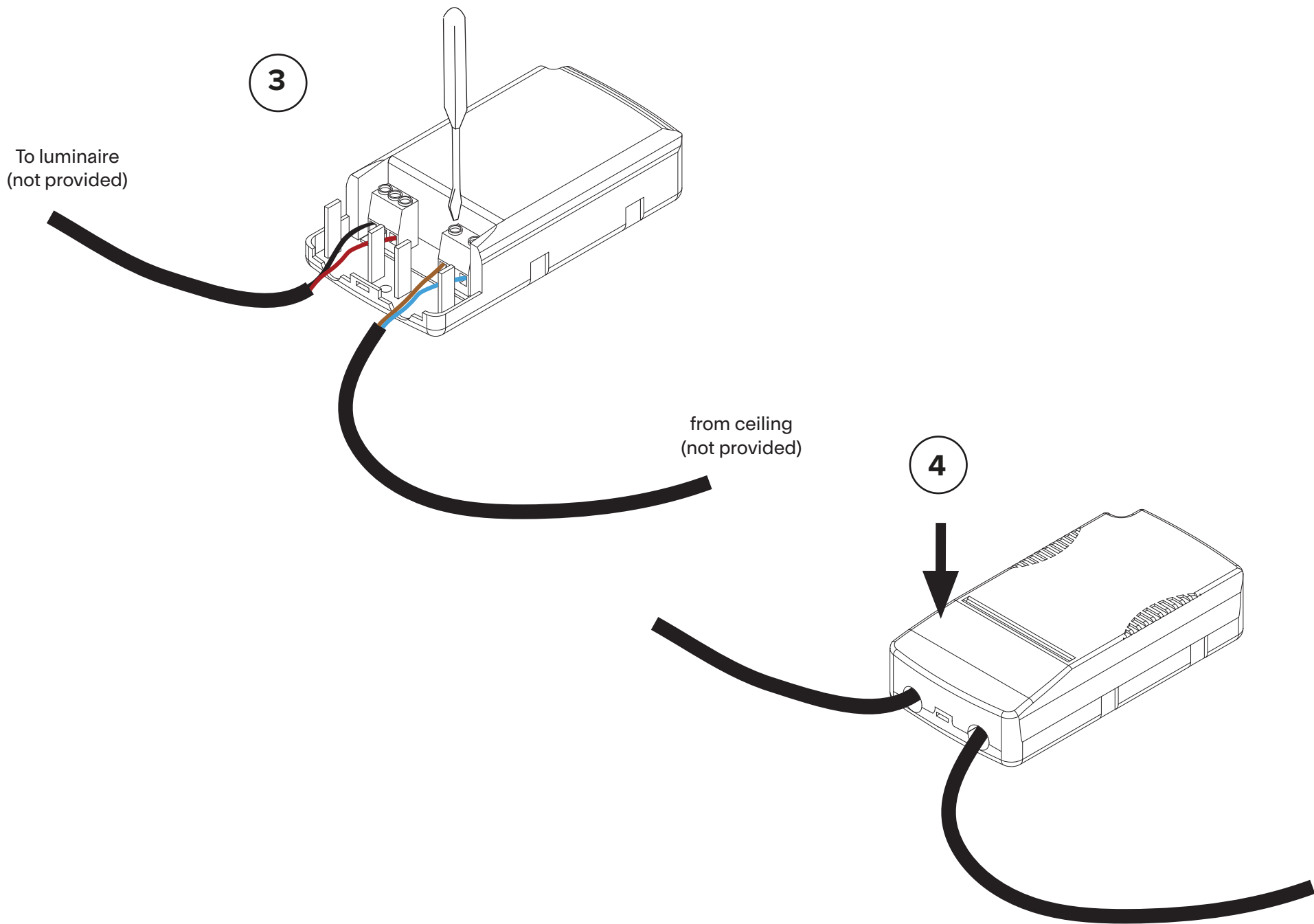
For remote driver installation
Consult chart below for max wire length.



Distance between lamp and driver.

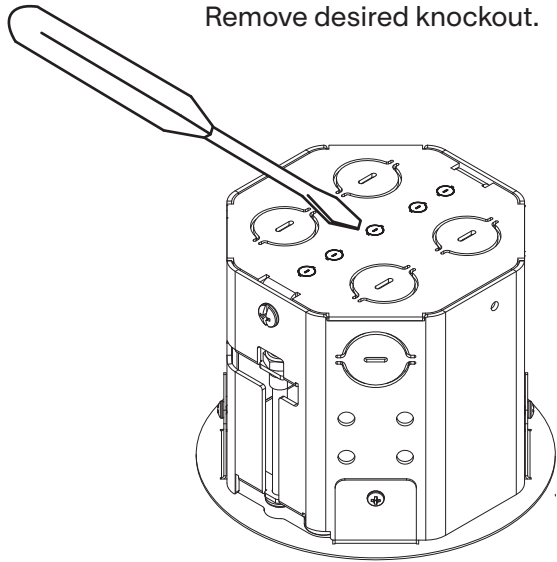
Wire gauge	Max Distance
18AWG	131.3 ft / 40m
16AWG	208.8 ft / 63.7m
14AWG	332.1 ft / 101.2m
12AWG	528.1 ft / 161m



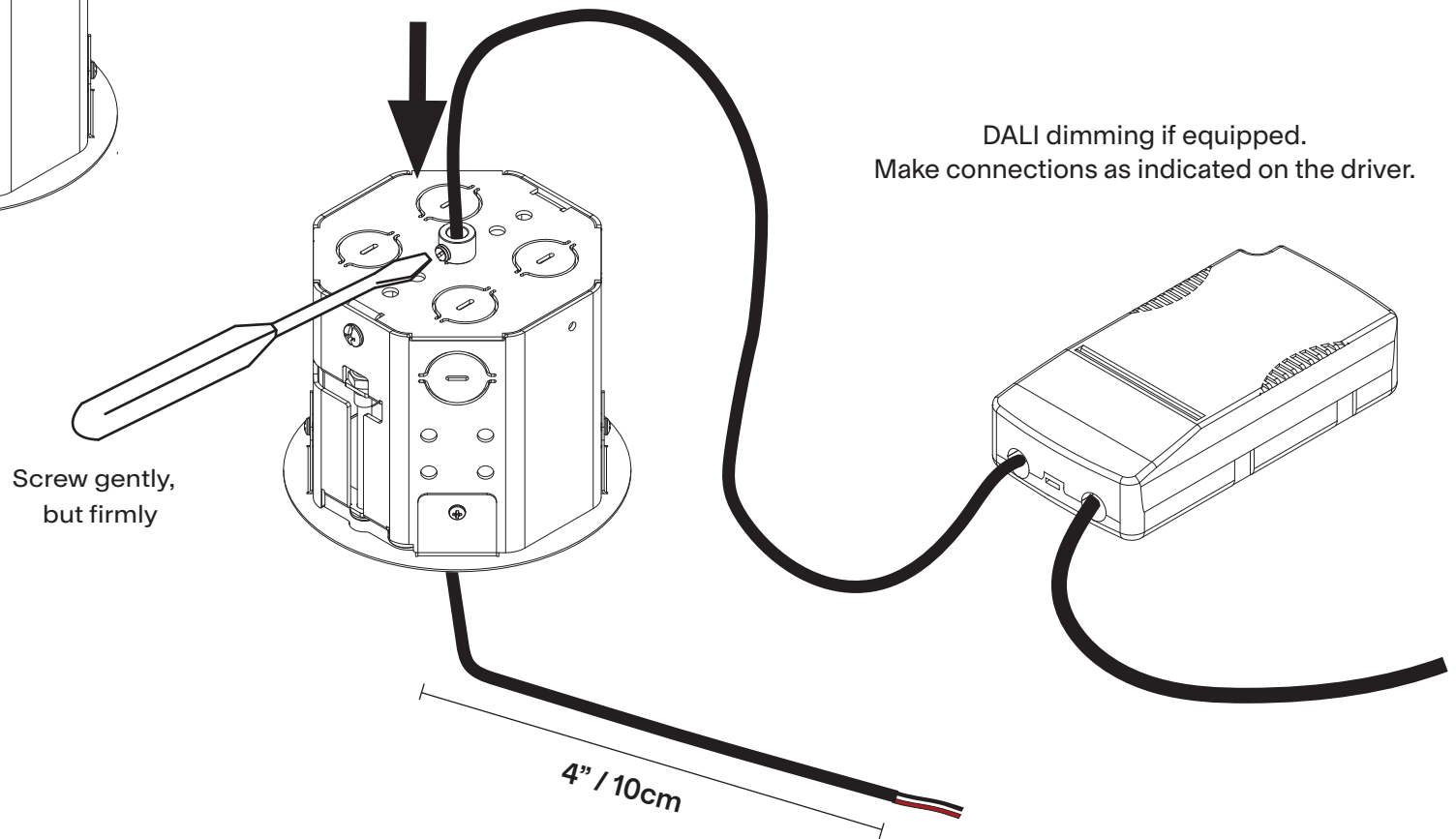


5

Remove desired knockout.



Use appropriate strain relief (not provided) depending on your wire gauge.

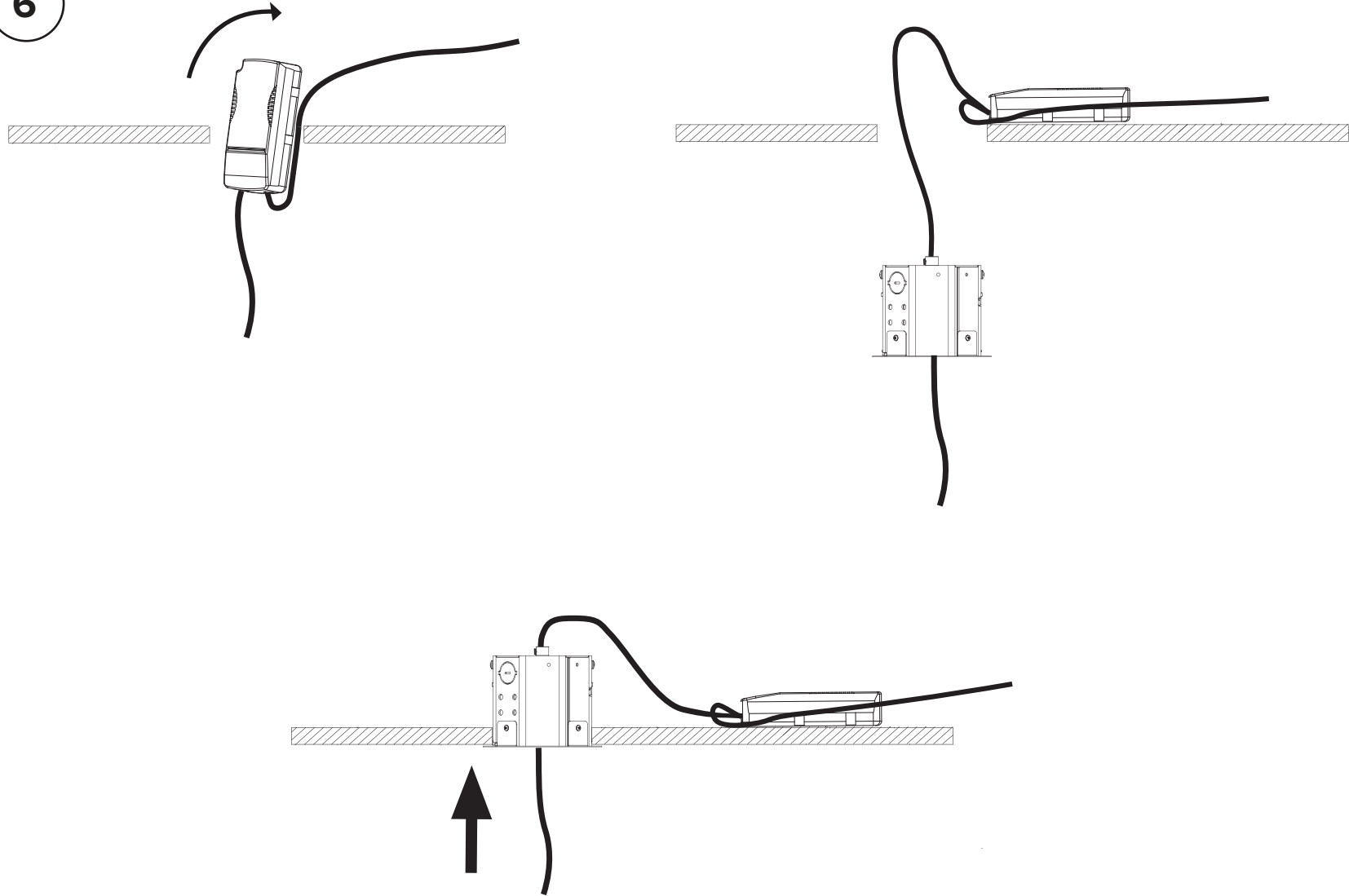


DALI dimming if equipped.
Make connections as indicated on the driver.

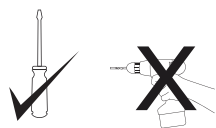
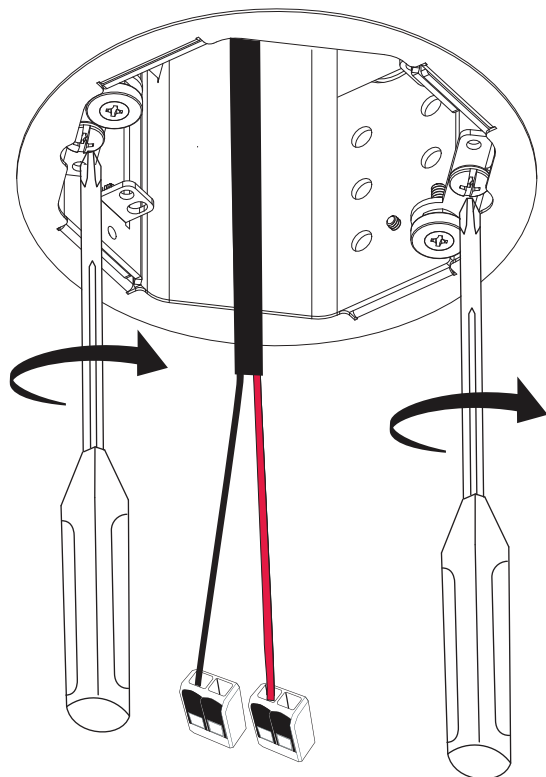
Screw gently,
but firmly

4" / 10cm

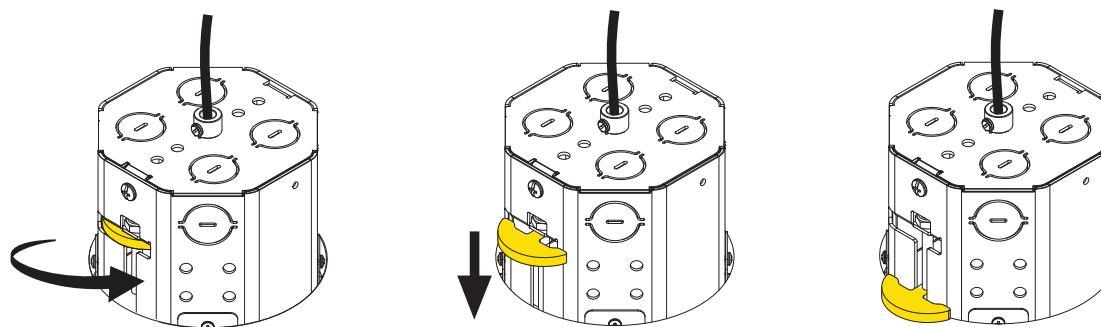
6



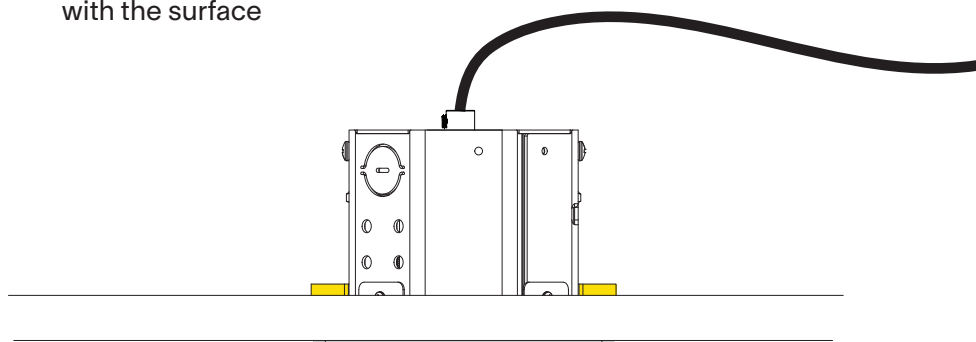
7



View from above



Stop when arms make contact with the surface



8

The recessed canopy is now installed, return to luminaire installation steps and follow the instructions (page 3).