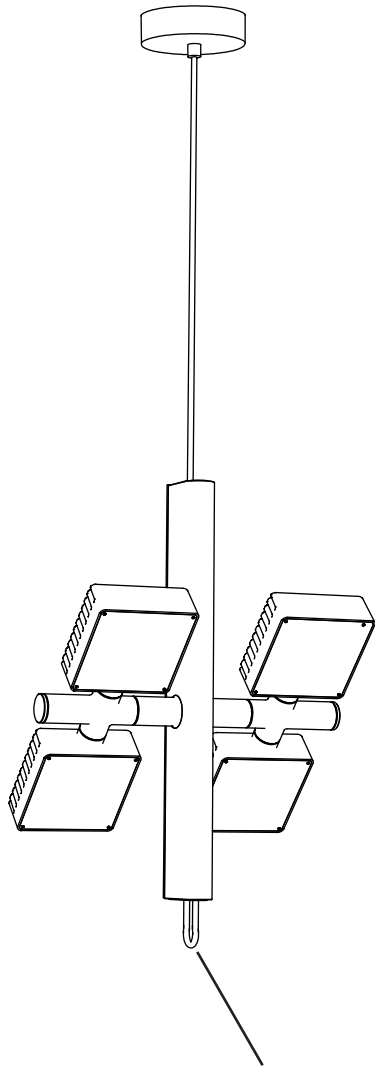


DORVAL ATELIER



Never support by
the bottom loop.



**Wear provided gloves when
handling luminaire**



**We recommend keeping luminaire
in protective wrapping until
installation is complete**



- Please read entire manual before beginning to install
- To be installed by an electrician to an electrical box
- LED may only be changed by Lambert & Fils or other authorized personnel
- Use appropriate screws where necessary
- Use appropriate anchors and ensure your electrical box can hold the luminaire's weight (35 lb / 16 kg).
- Wear enclosed gloves when handling lamp
- Handle materials with care. Please consult lamp maintenance sheet on our web site
- Micro-adjustment are not possible. The luminaire is preset to desired height.

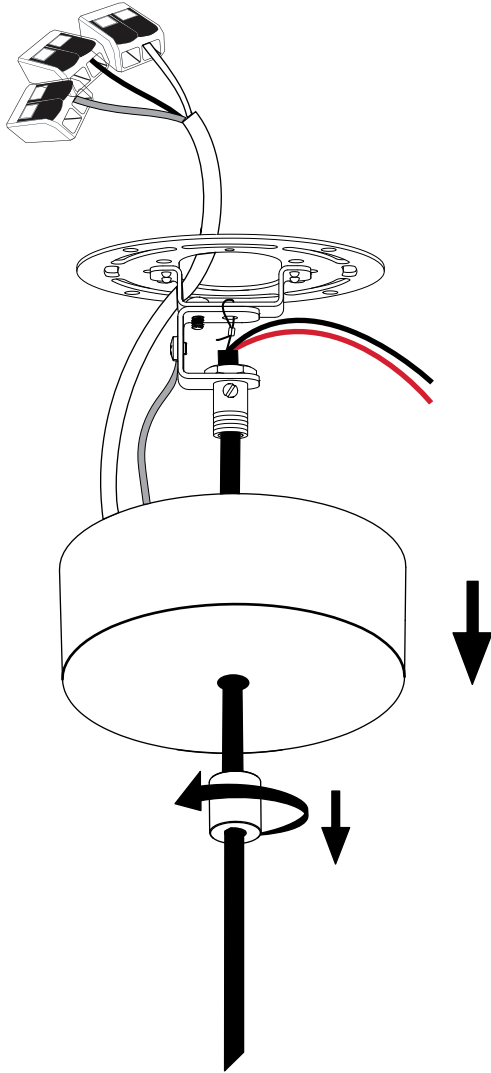


**Never turn on power supply
until installation is completed**

OPEN CANOPY

1

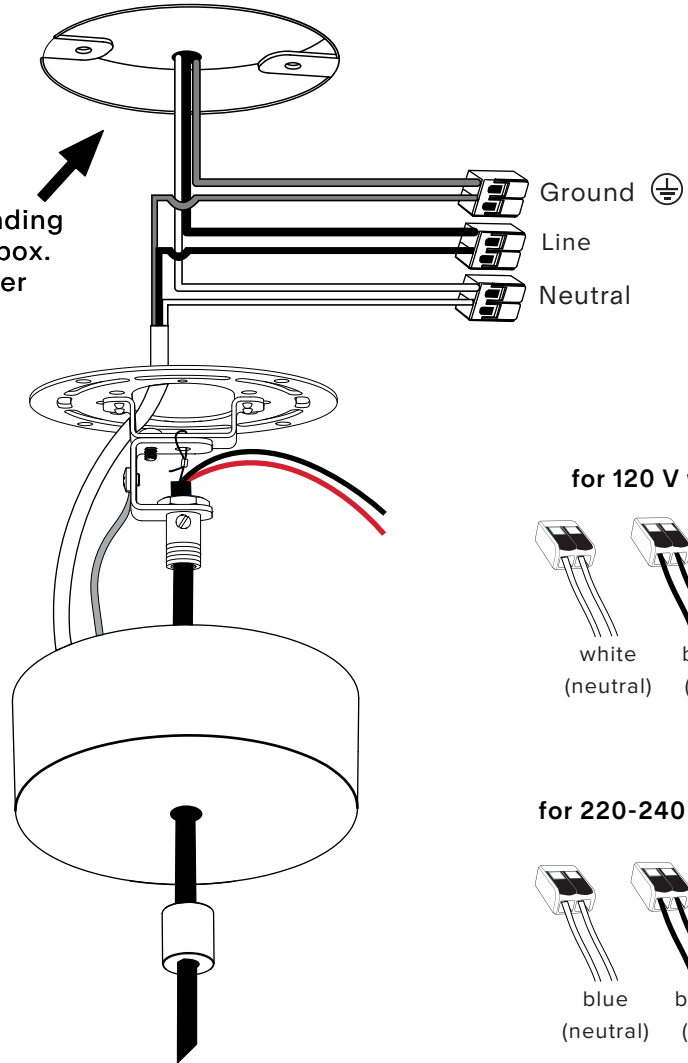
Unscrew cap to access the universal bracket and driver.



MAKE LINE/MAIN VOLTAGE CONNECTION TO ELECTRICAL BOX (AC)

2

Connect corresponding wires in electrical box.
(AC input of driver to supply).

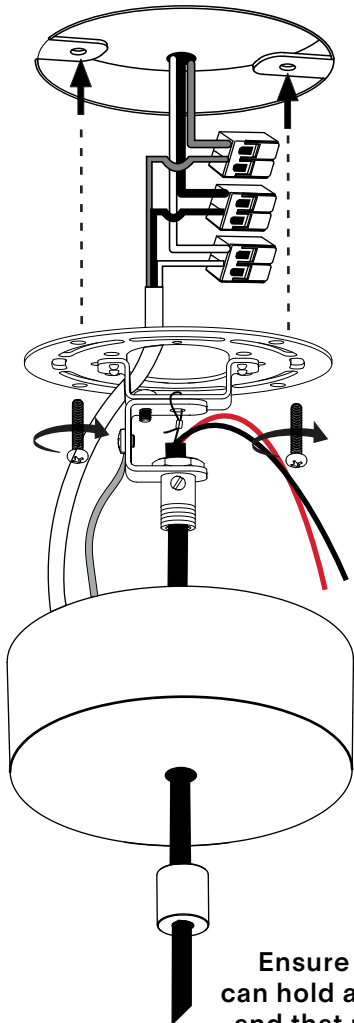


* Connections can also be made in the canopy if necessary

MOUNT UNIVERSAL BRACKET

3

Secure universal bracket to the electrical box

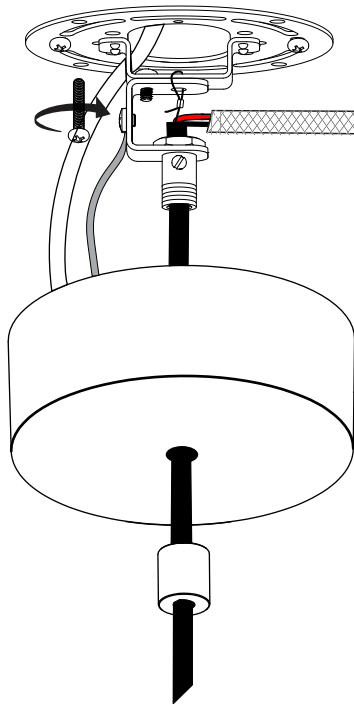


⚠
Ensure your electrical box can hold a weight of 35 lb/ 16kg and that no wires are pinched during these steps.

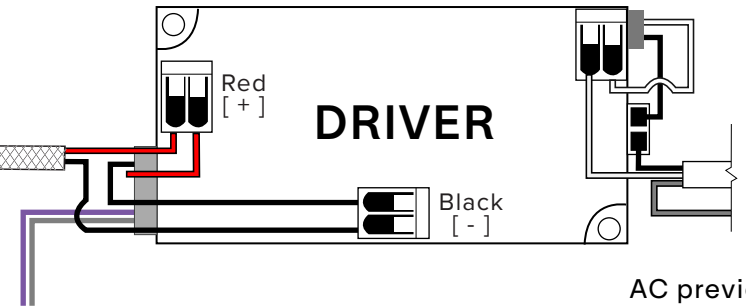
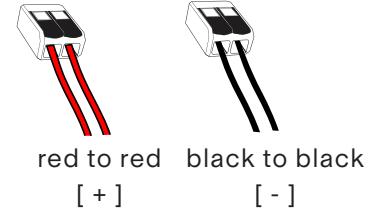
4

Connect luminaire's red and black wires to driver output wires (DC) within the canopy.

Slide the anti-abrasive sleeve over the red and black wires.



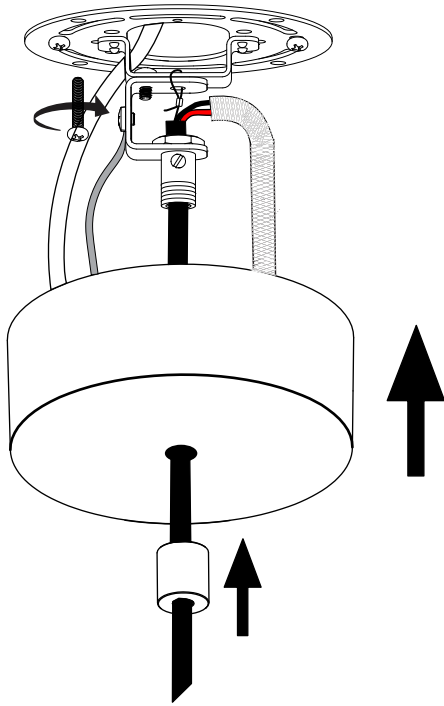
If applicable, use grey and purple wires for 0-10V dimming circuit. If the wires are not used, cap them separately.



AC previously connected.
(step 2)

5

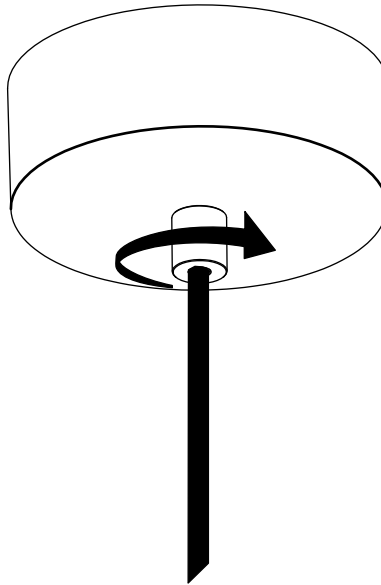
Raise canopy



Ensure no wires are clipped or pinched during these steps.

6

Secure canopy cap



7

To place in desired position, hold cord close to luminaire while lifting and turning the body of the luminaire.

