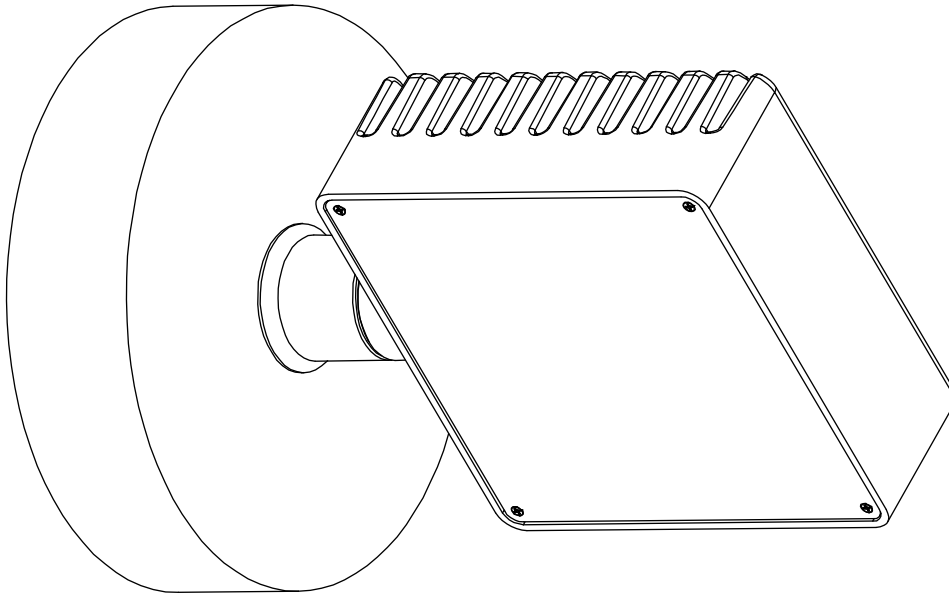
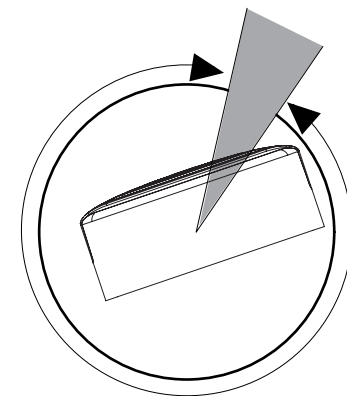


DORVAL WALL



- Please read entire manual before installation
- To be installed by an electrician to an electrical box
- Use appropriate screws and anchors where necessary
- Wear enclosed gloves when handling lamp
- Handle materials with care. Please consult lamp maintenance sheet on our web site

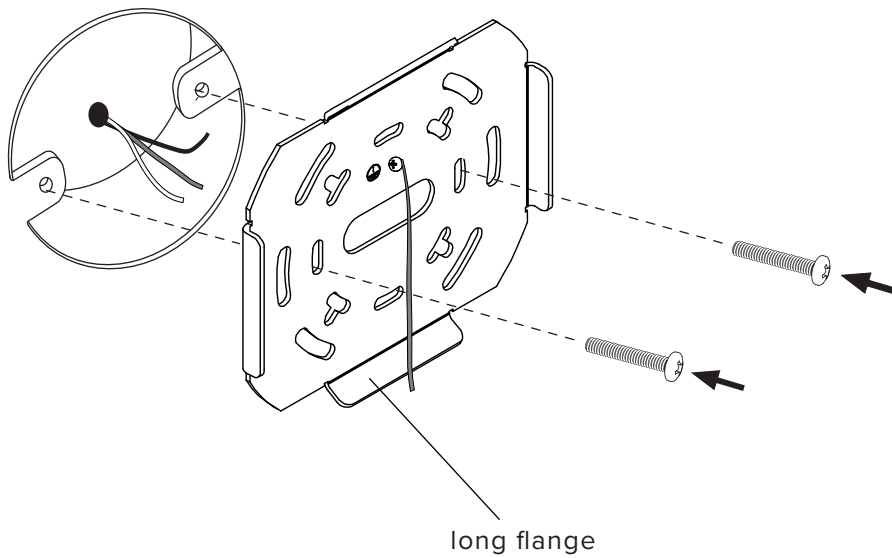
(350° rotation)



1

Secure universal bracket to junction box or directly to the wall. Use appropriate screws and anchors if necessary (not provided)

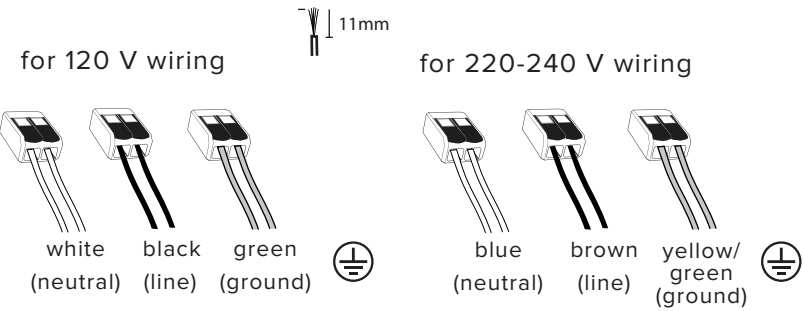
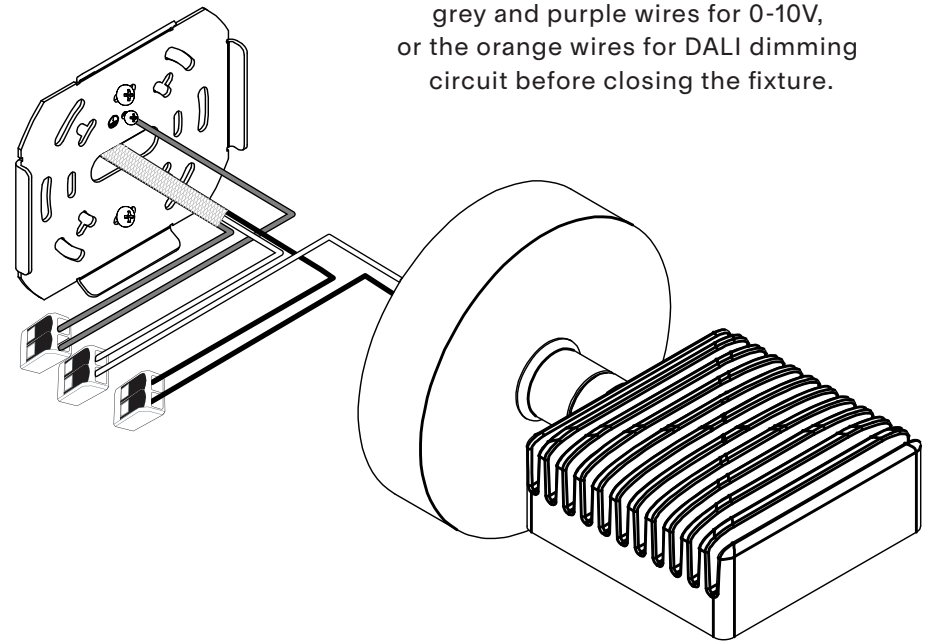
The universal bracket has a short flange and a long flange. Be sure the long flange is on the bottom. It is used to secure the fixture properly.



2

Make connections. Pass the wires through the anti-abrasive sleeve.

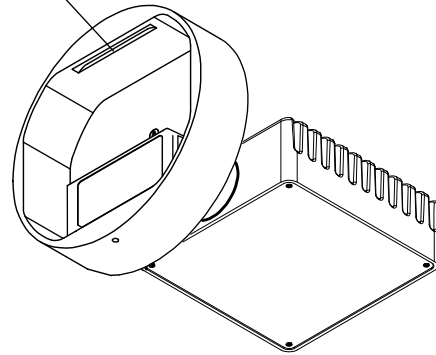
If applicable, use grey and purple wires for 0-10V, or the orange wires for DALI dimming circuit before closing the fixture.



3

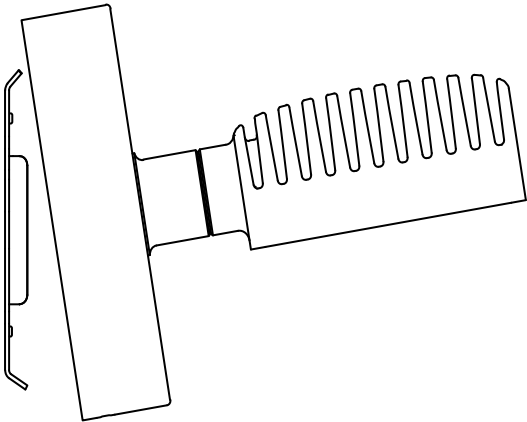
Secure fixture to universal bracket

groove for short flange



A

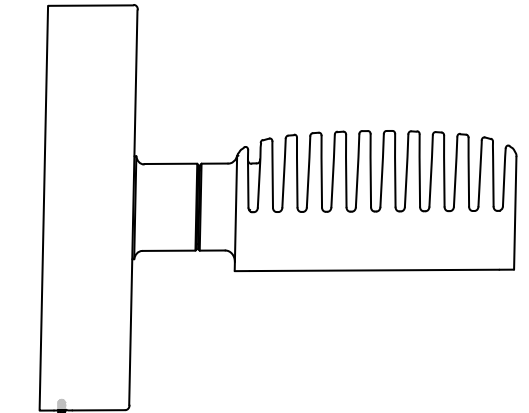
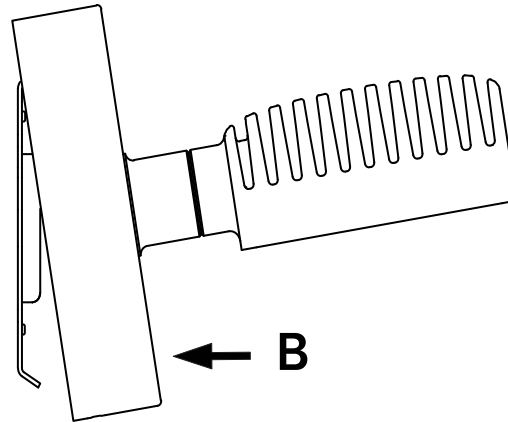
There is a groove in the fixture for the bracket to slide into.



B

Push the bottom part of fixture against the wall.

Be sure no wires are pinched or damaged during this step.



Using the provided allen key, tighten the set screw until the luminaire is properly secured in place.

C

