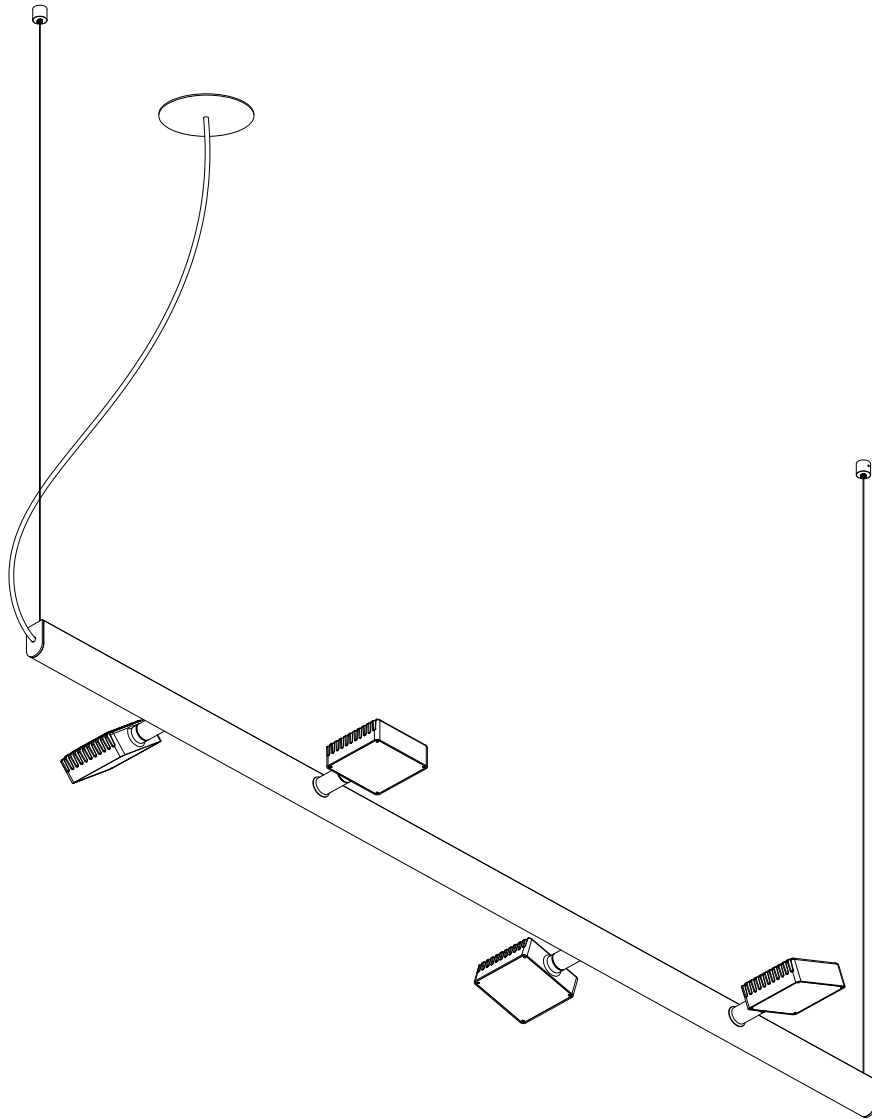


---

## DORVAL 05 120V

---

(phase and 0+10V dimming)  
Plenum or remote installation



- Please read entire manual before beginning installation
- To be installed by an electrician
- Use appropriate screws and anchors where necessary
- Wear enclosed gloves when handling lamp
- Handle materials with care. Please consult lamp maintenance sheet on our web site

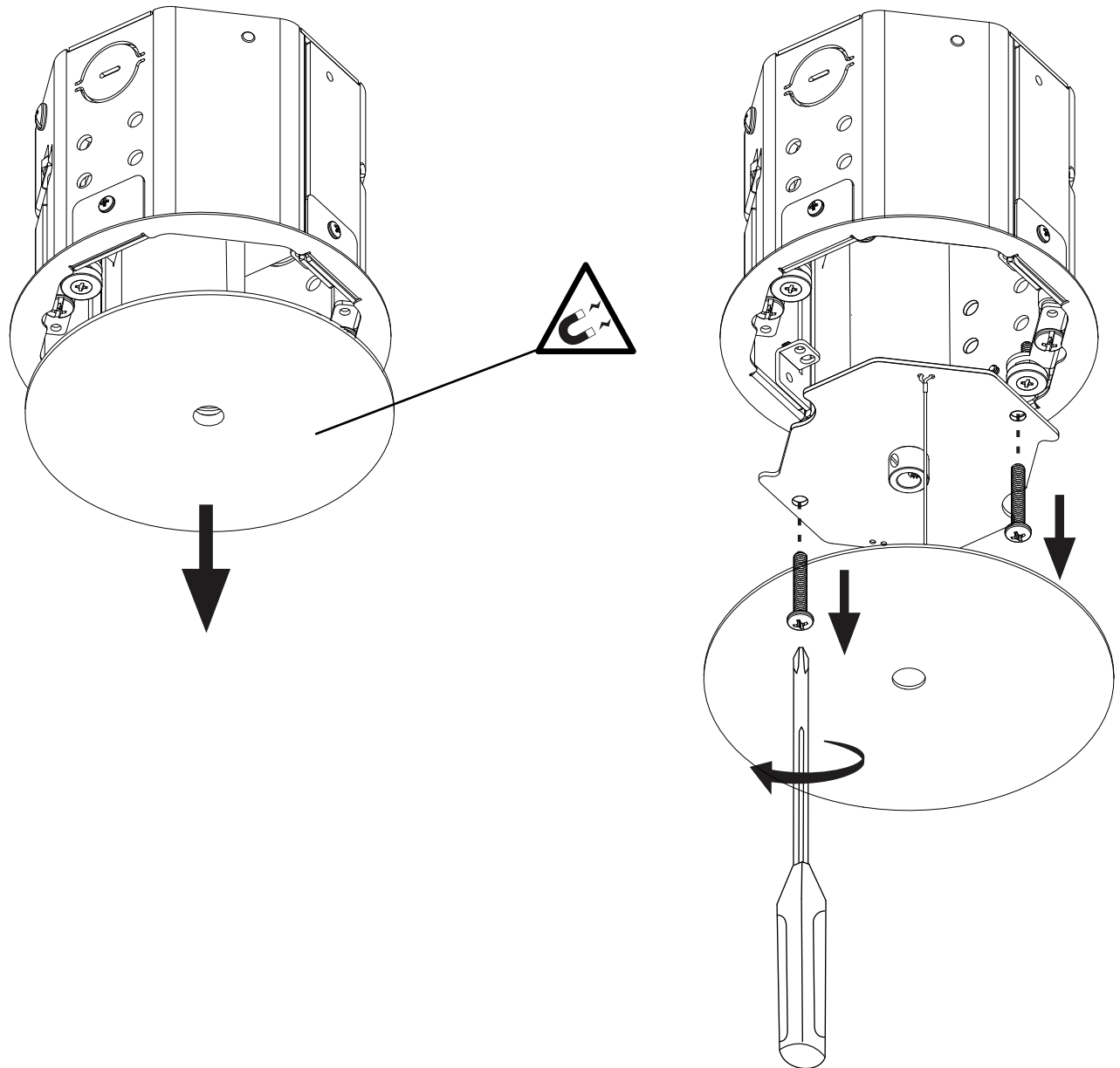


**Never turn on power supply  
until installation is completed**

1

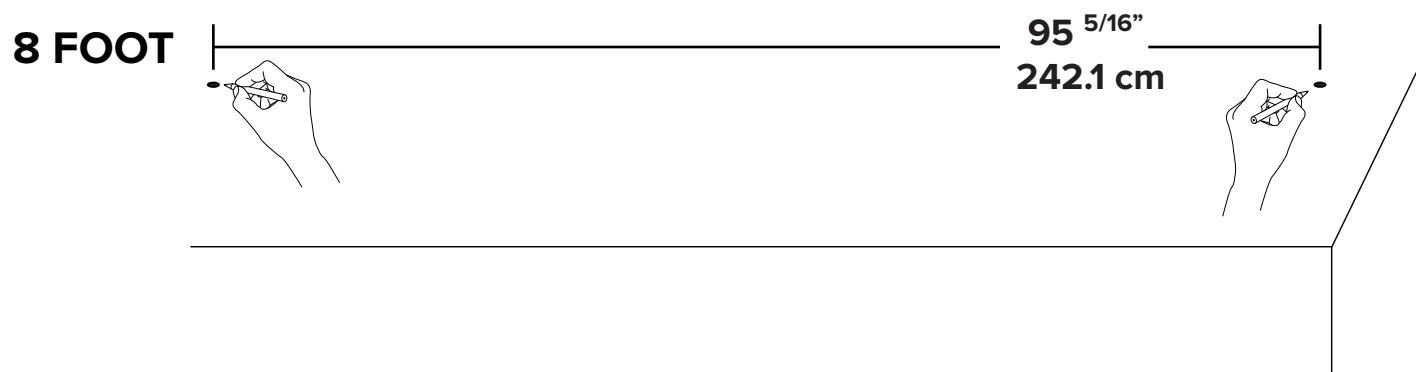
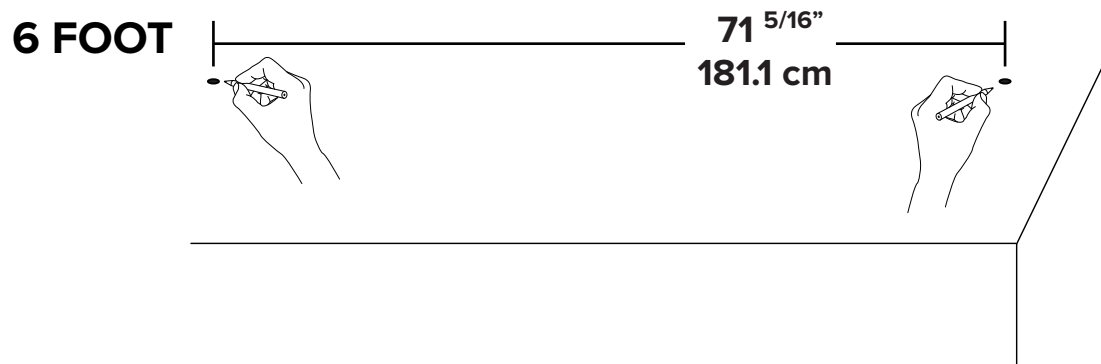
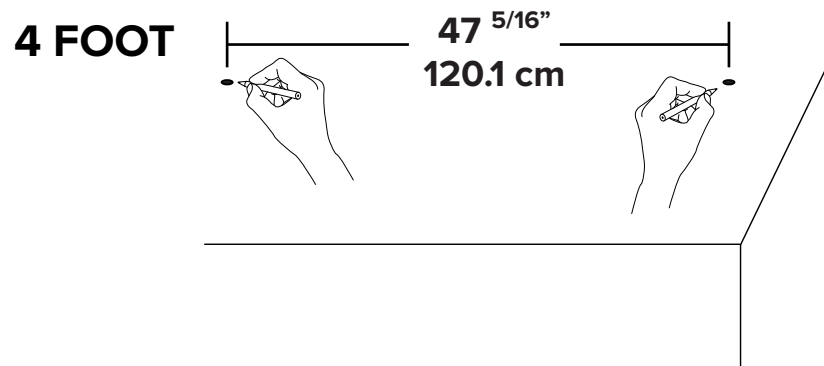
Remove Octobox cover plate and strain relief plate. It is held in place by two screws.

Refer to:  
Annexe A (phase dimming) - page 8  
Annexe B (0-10V) - page 14

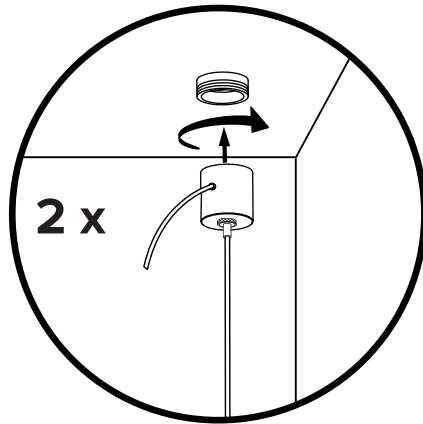
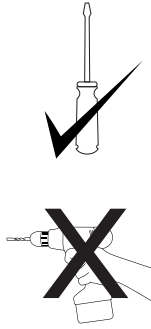
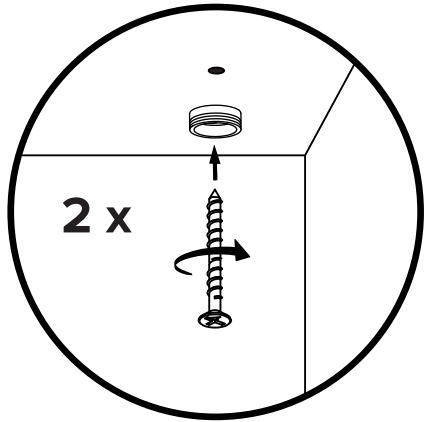


2

Mark your anchor points on the ceiling according to your model



3

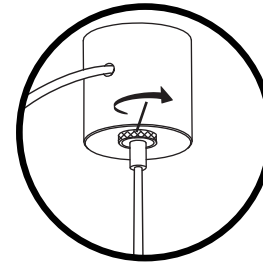
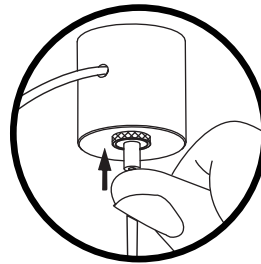
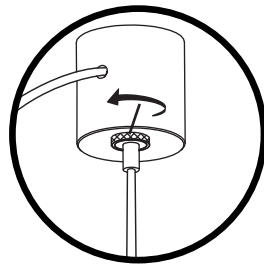


Make sure you use appropriate anchors and screws for your ceiling material and luminaire weight.

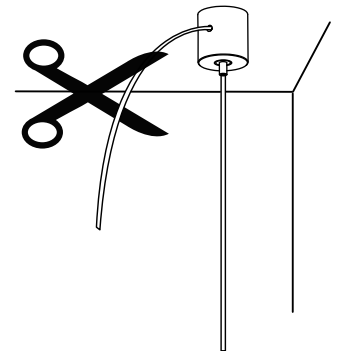
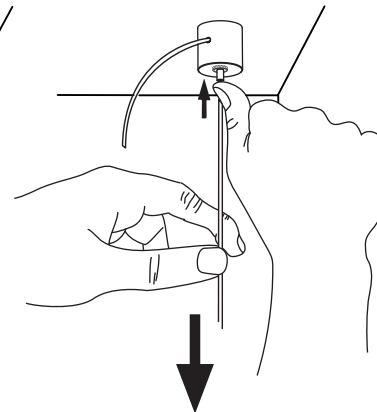
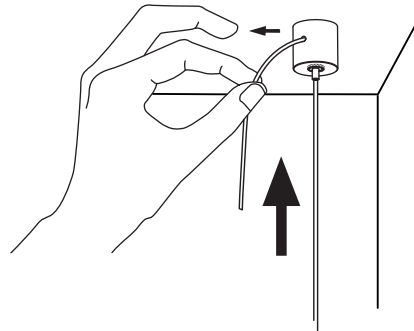
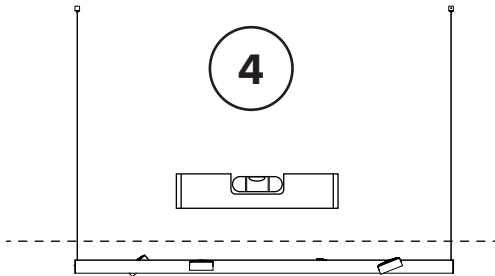
**4 FOOT** uplight 12.5lbs / 5.7kg  
no uplight 11.9lbs / 5.4kg

**6 FOOT** uplight 13.3lbs / 6kg  
no uplight 12.7lbs / 5.8kg

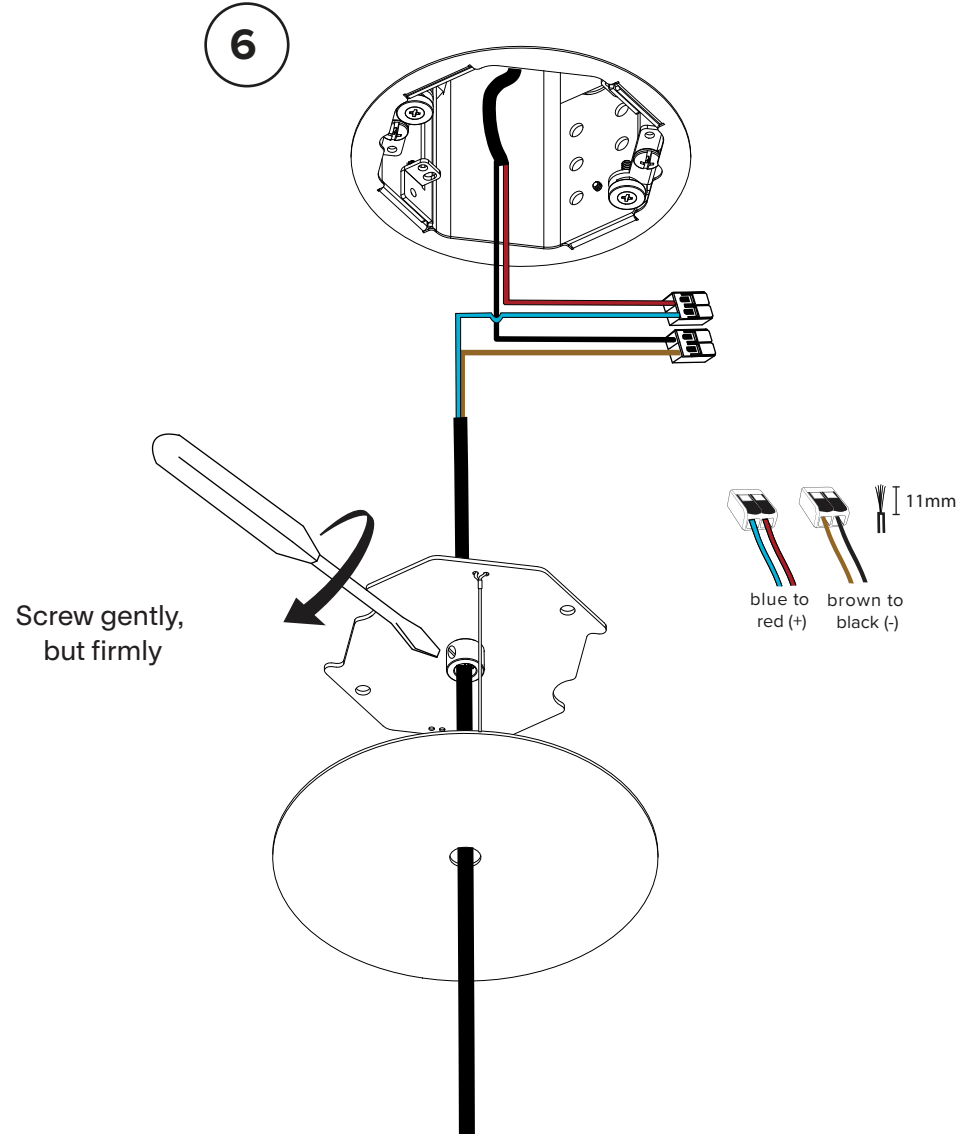
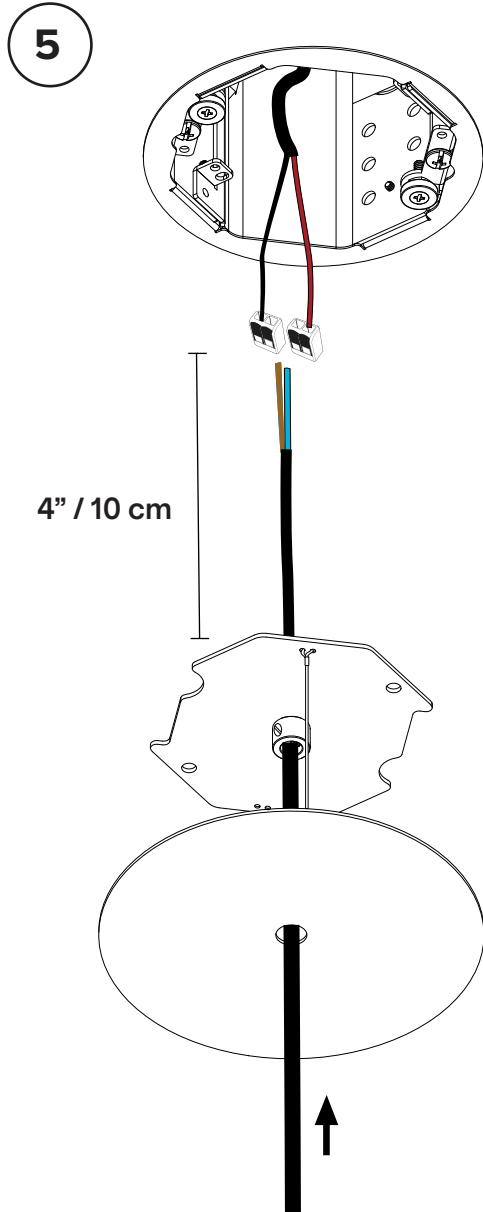
**8 FOOT** uplight 14.4lbs / 6.4kg  
no uplight 13.5lbs / 6.1kg



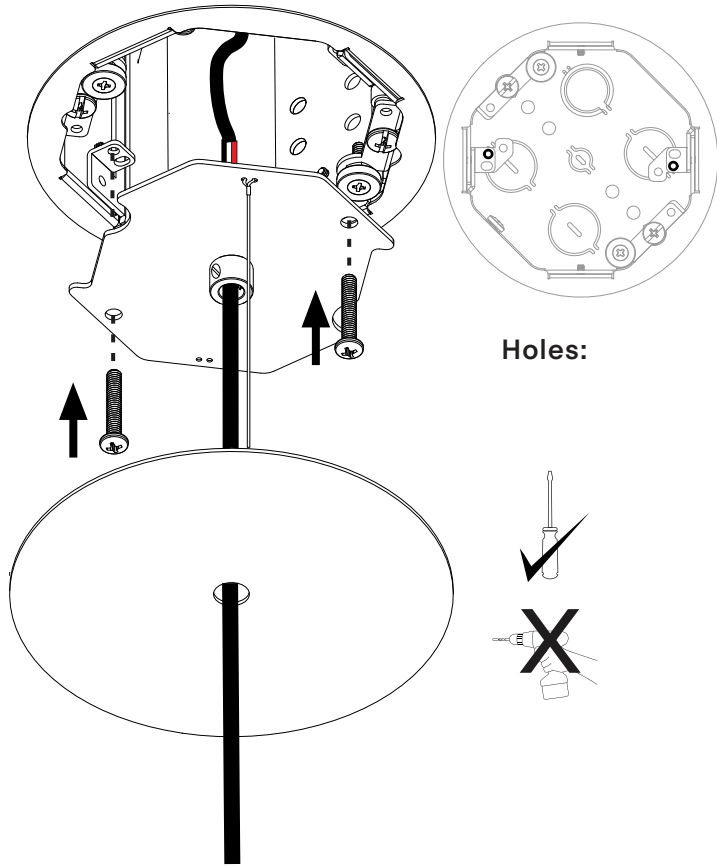
Cut cable after installation is complete and luminaire is level.



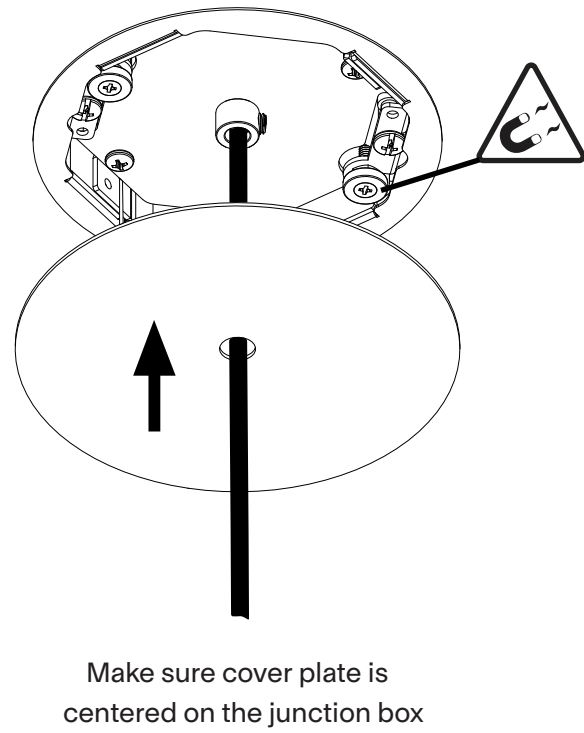
Steps to be completed AFTER steps  
in recessed canopy annex



7

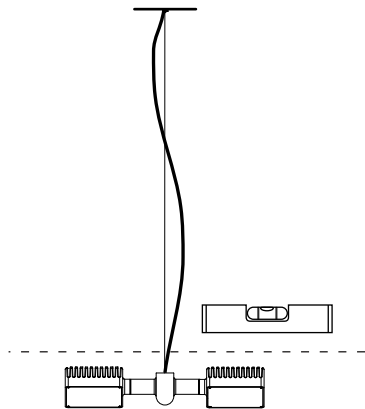
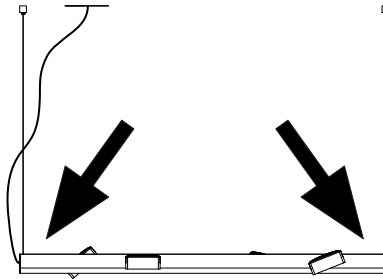


8



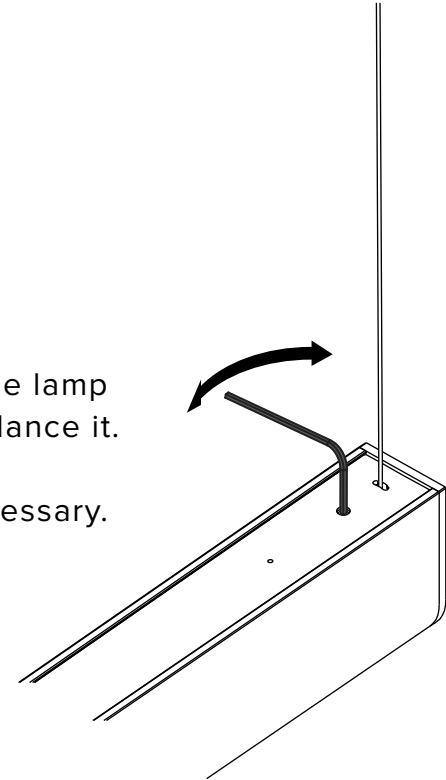
9

Your luminaire should be perfectly balanced. However, should adjustments be needed, use the supplied hex key in the adjustment mechanism.



Moving the hex key will shift the lamp body left or right in order to balance it.

Repeat on opposite side if necessary.

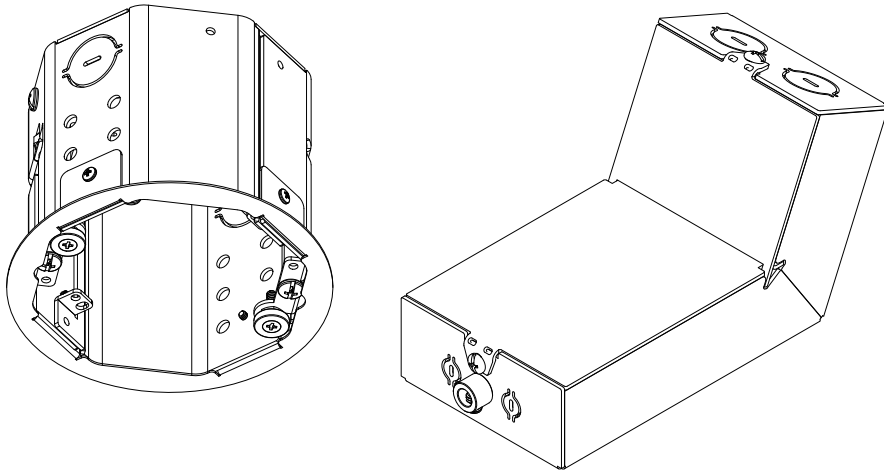


---

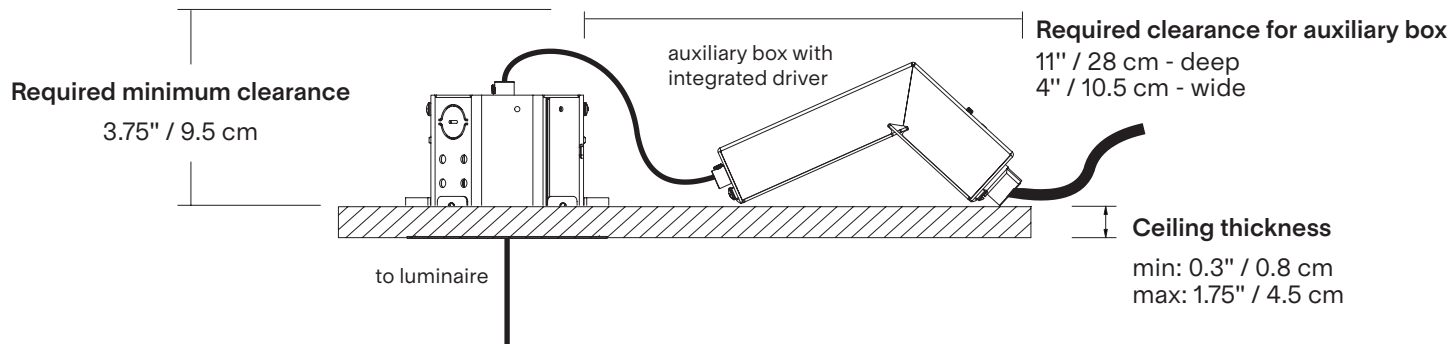
## RECESSED CANOPY ANNEX A

---

### Octobox with auxiliary box (phase and 0+10V dimming) Plenum installation

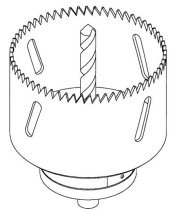
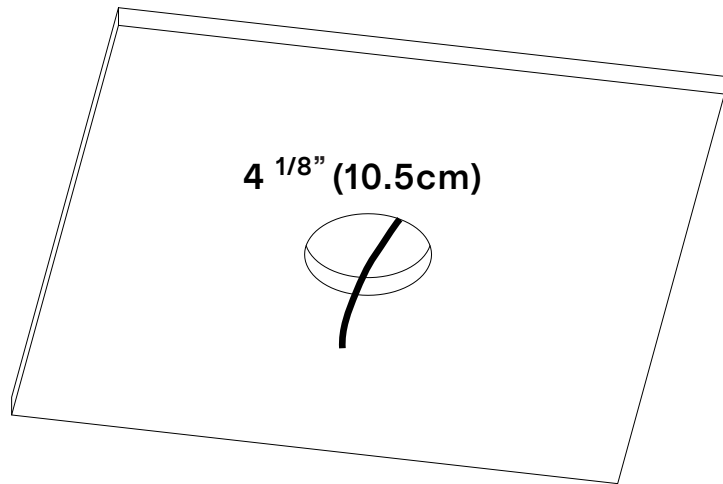


- Please read entire manual before beginning installation
- To be installed by an electrician
- Use appropriate screws where necessary
- For non-insulated hollow ceiling
- Wires for plenum not provided

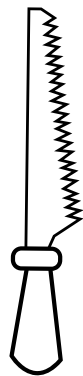




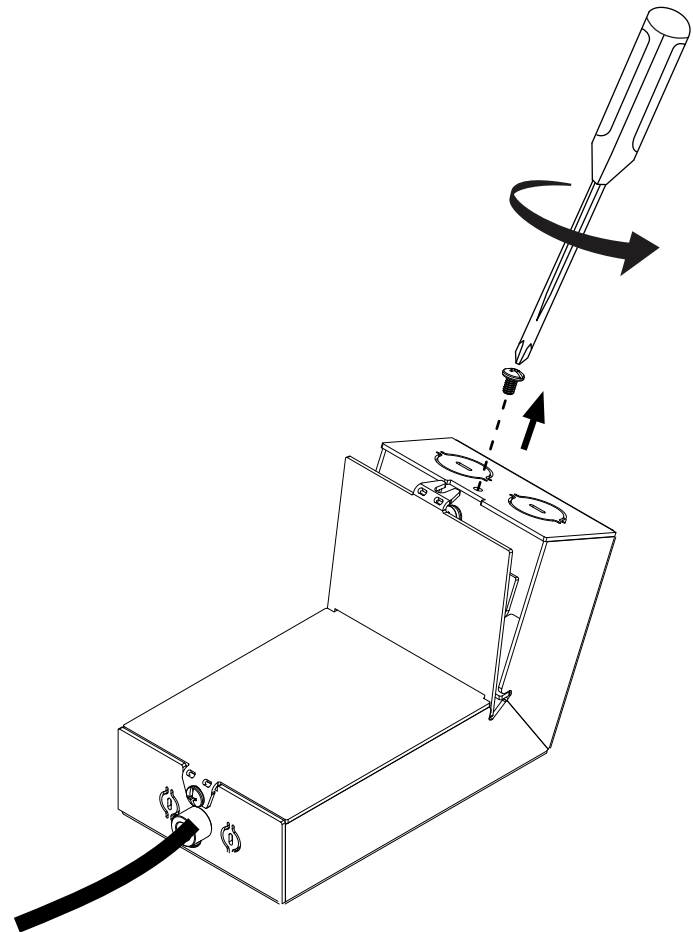
1



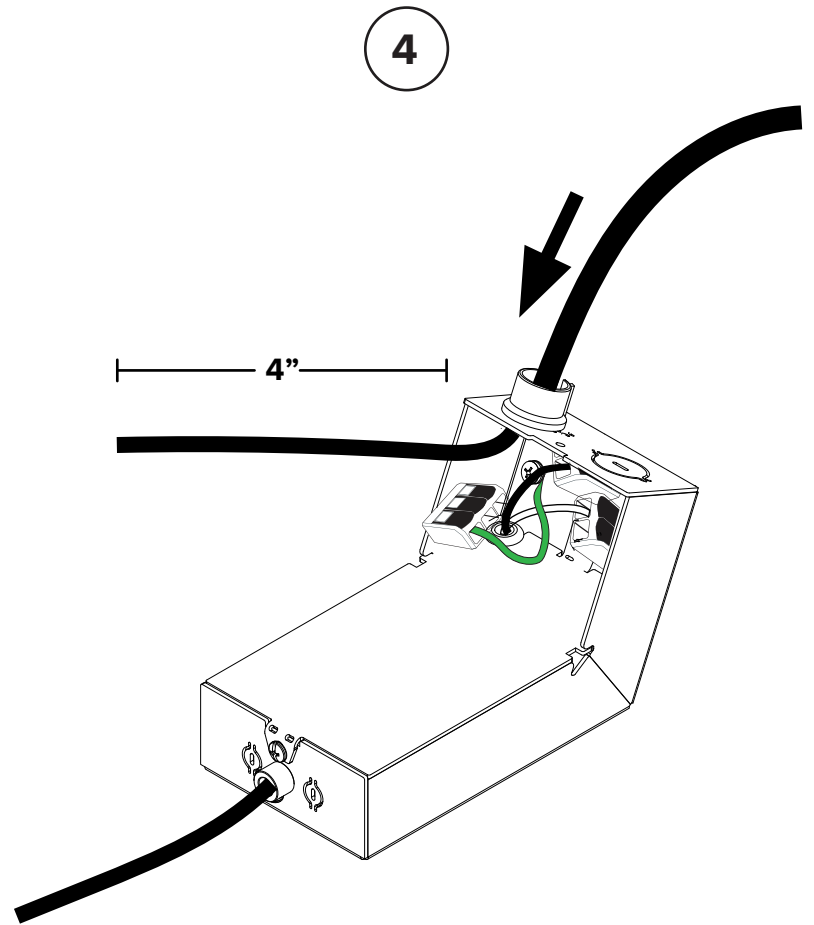
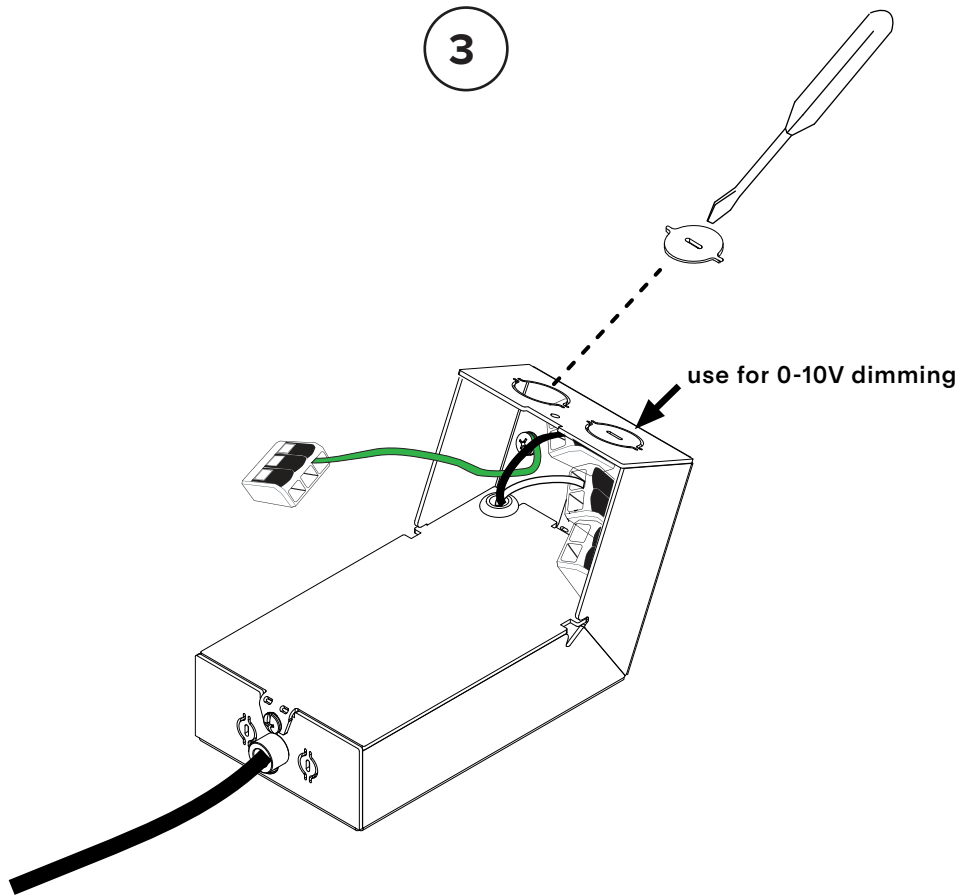
or



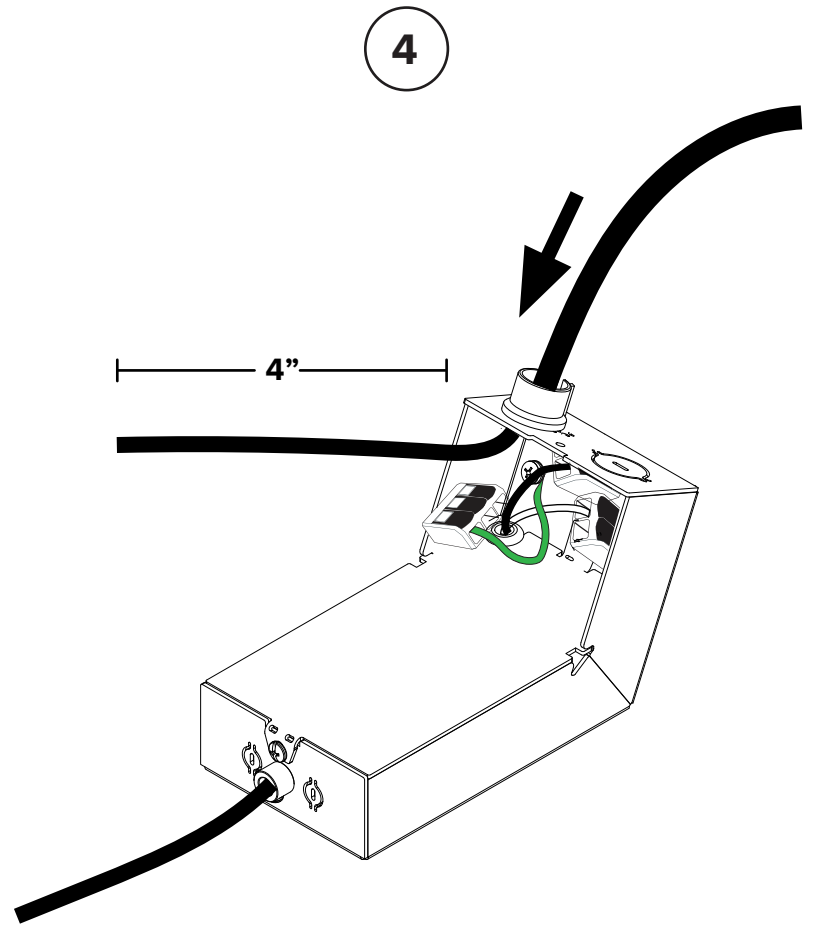
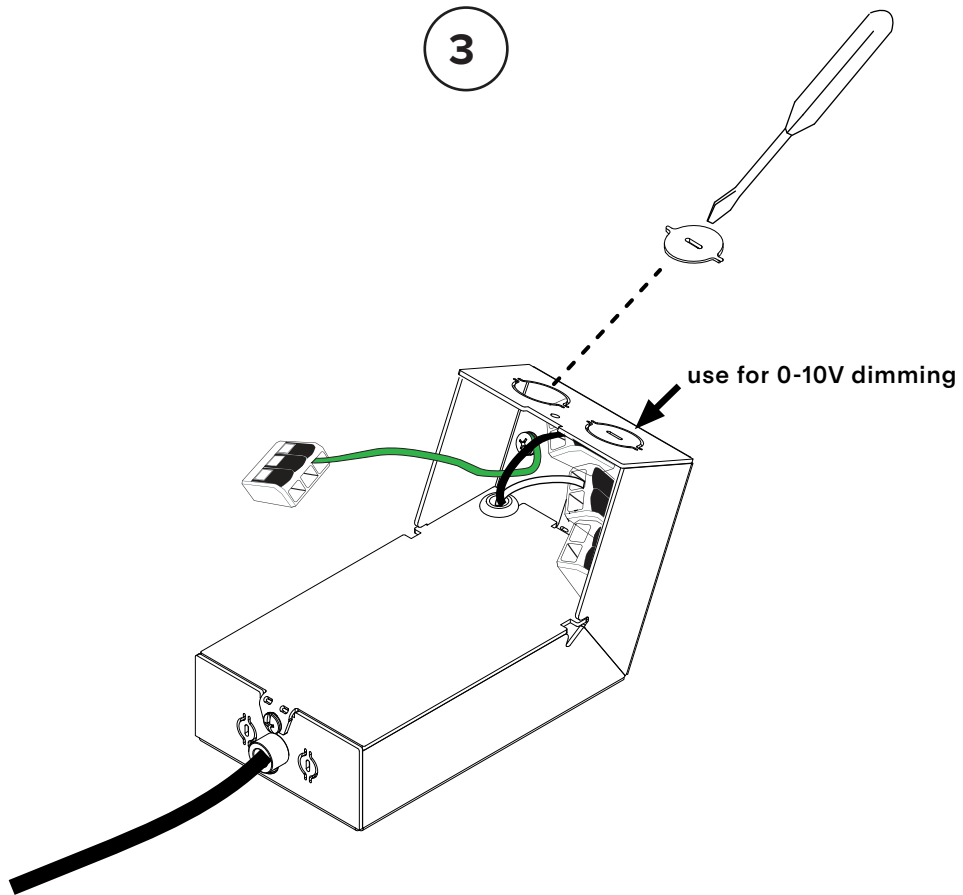
2

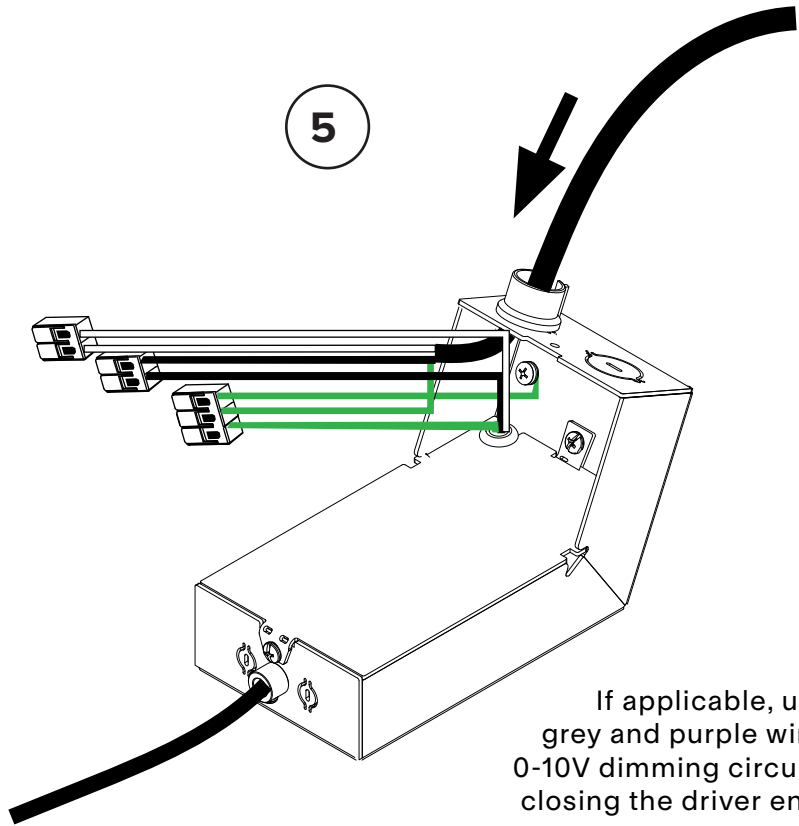


# PHASE DIMMING REPRESENTATION



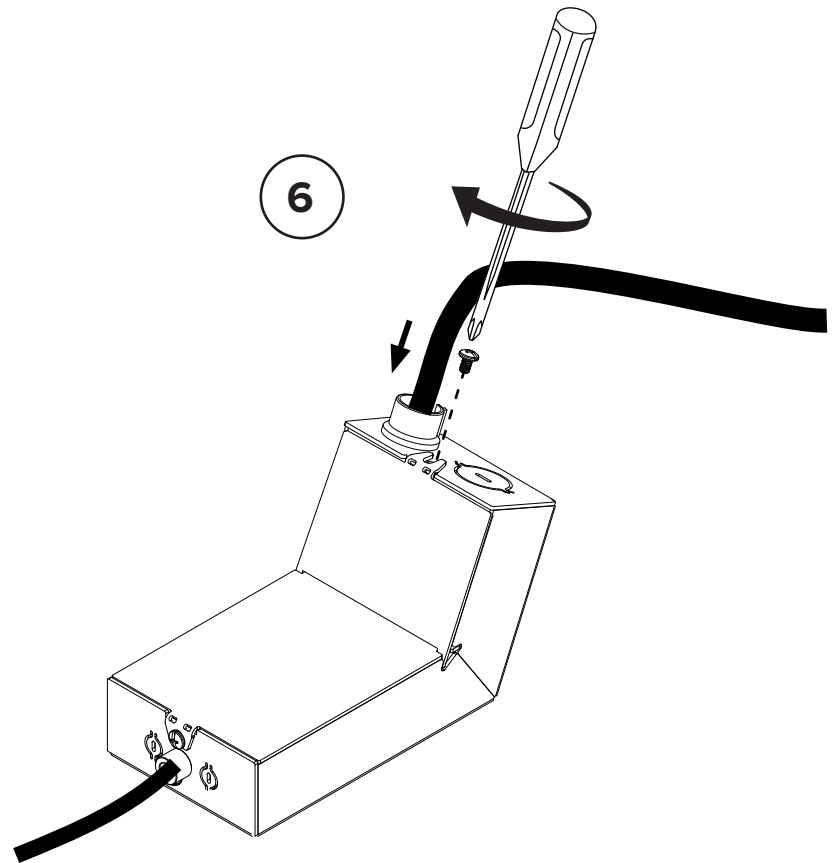
# PHASE DIMMING REPRESENTATION



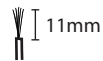
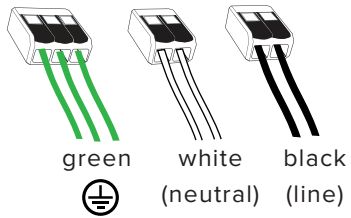


If applicable, use  
grey and purple wires for  
0-10V dimming circuit before  
closing the driver enclosure.

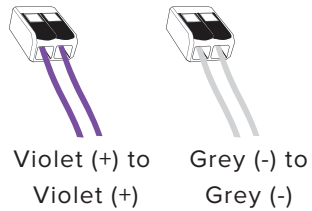
Cap wires individually if not used.



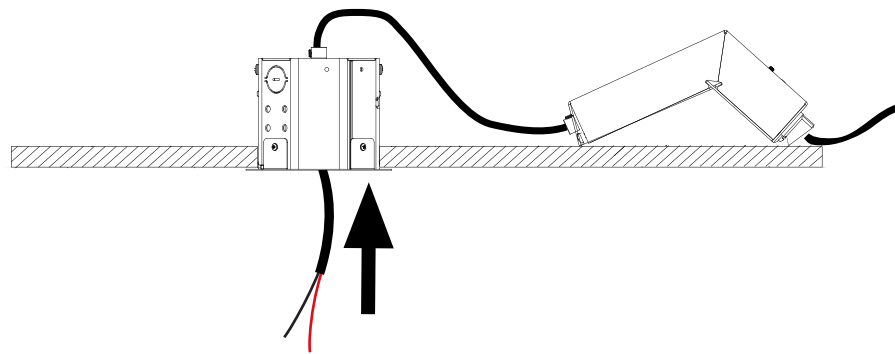
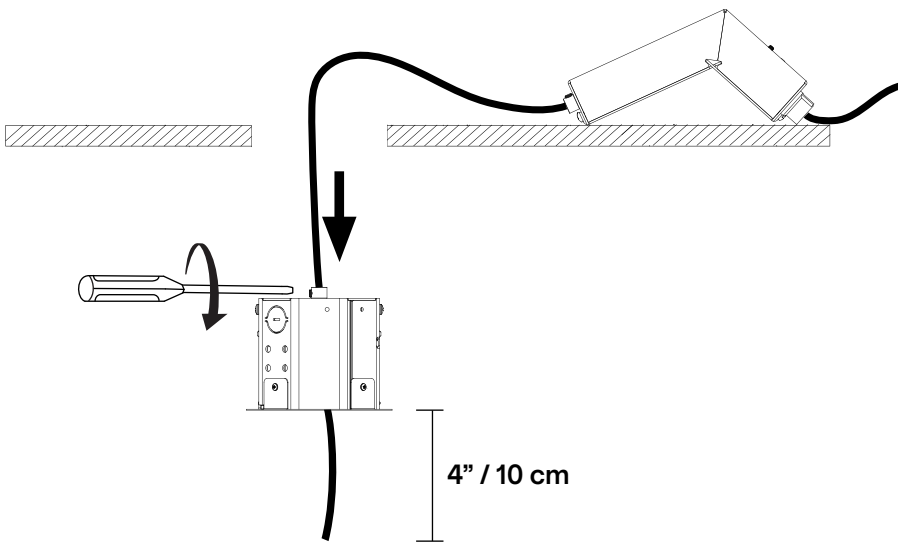
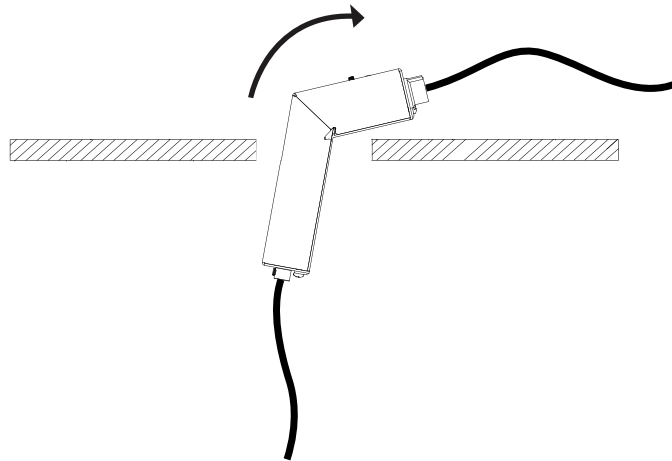
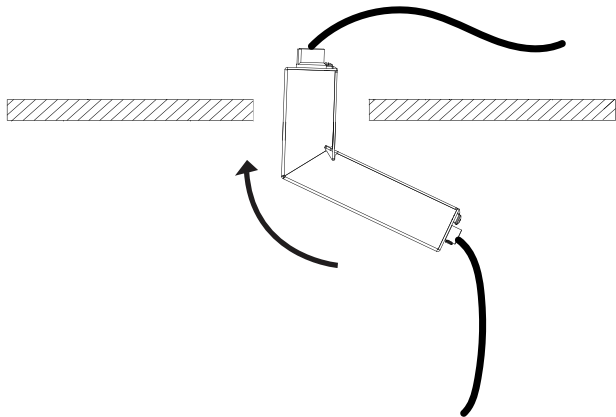
for 120 V wiring



0-10V dimming

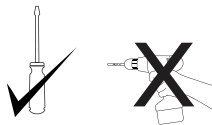
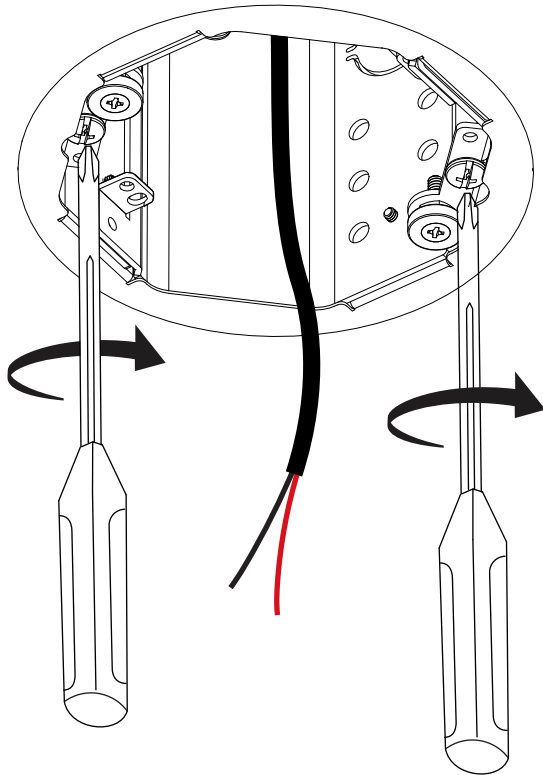


7



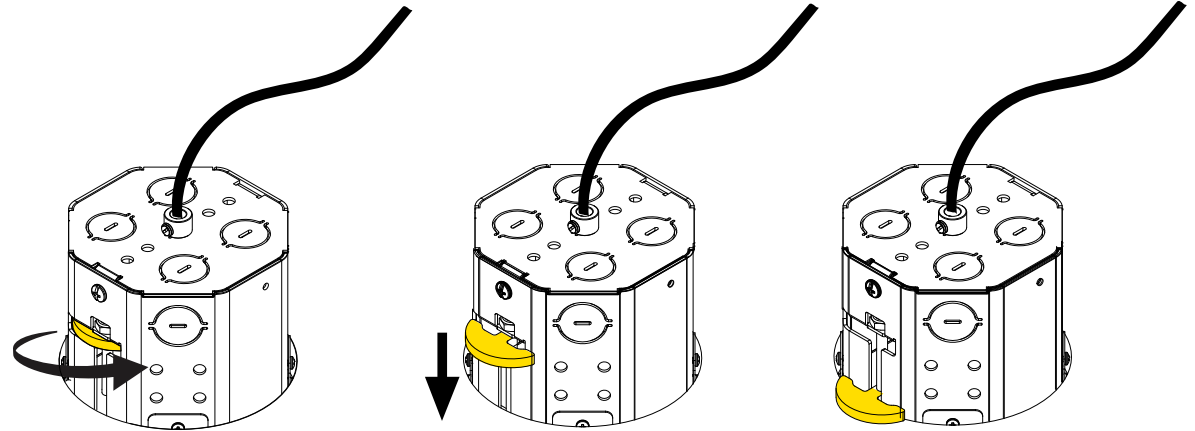
8

View from below

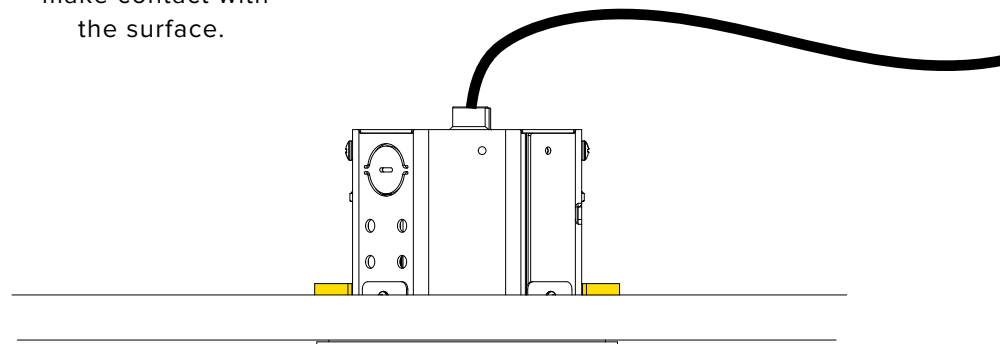


9

View from above



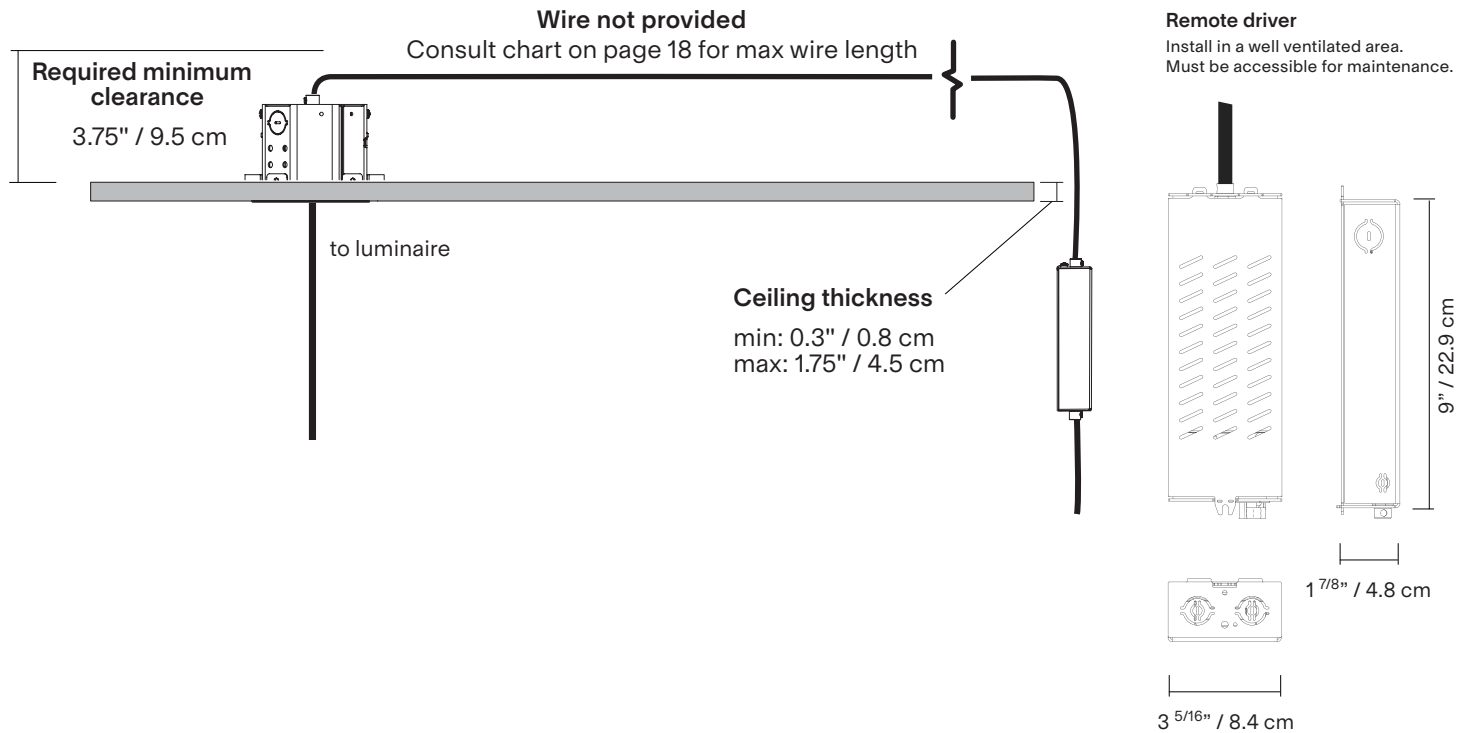
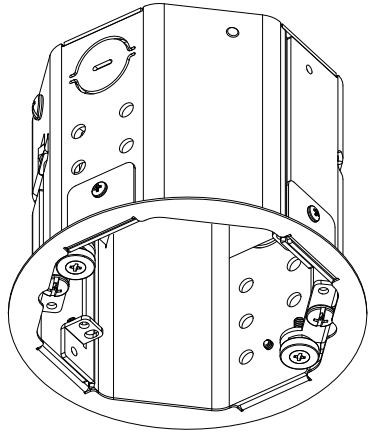
Stop when arms make contact with the surface.



The recessed canopy is now installed, return to luminaire installation steps and follow the instructions (page 3).

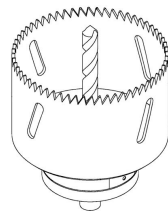
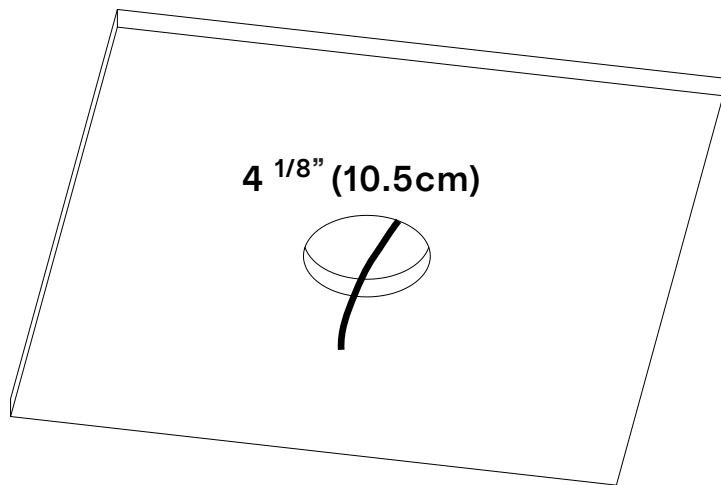
# RECESSED CANOPY ANNEX B

## Octobox with remote driver (phase and 0-10V dimming) Remote installation

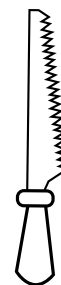


- Please read entire manual before beginning installation
- To be installed by an electrician
- Use appropriate screws where necessary
- For non-insulated hollow ceiling
- Wires for plenum not provided

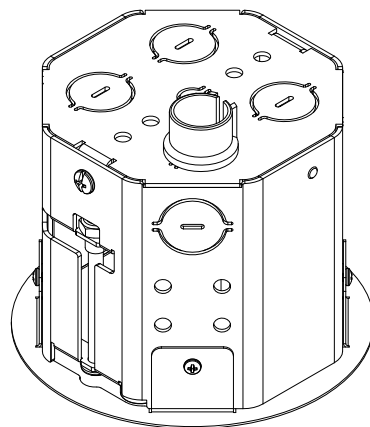
1



or



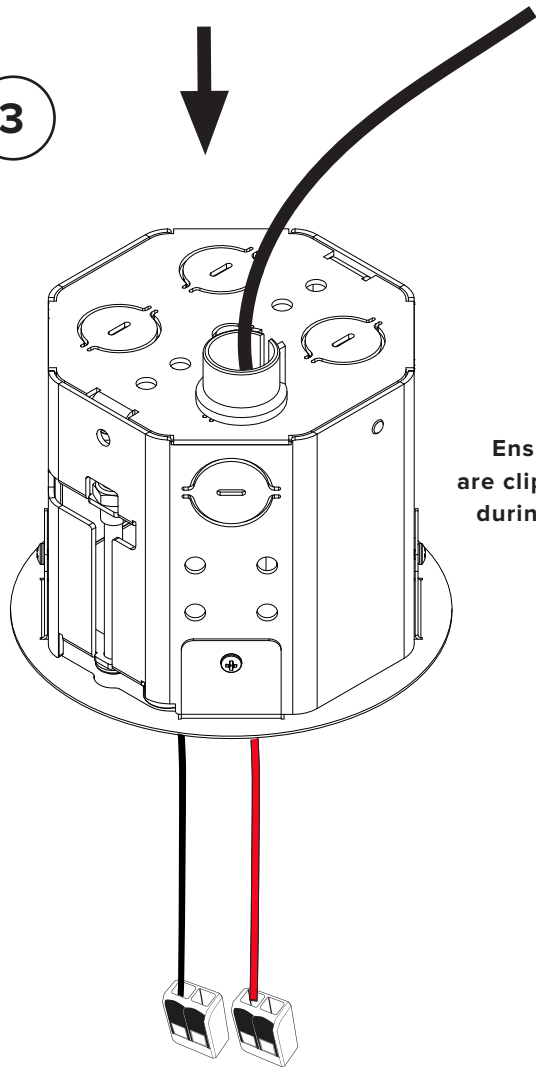
2



Install suitable connectors for your installation (not included)



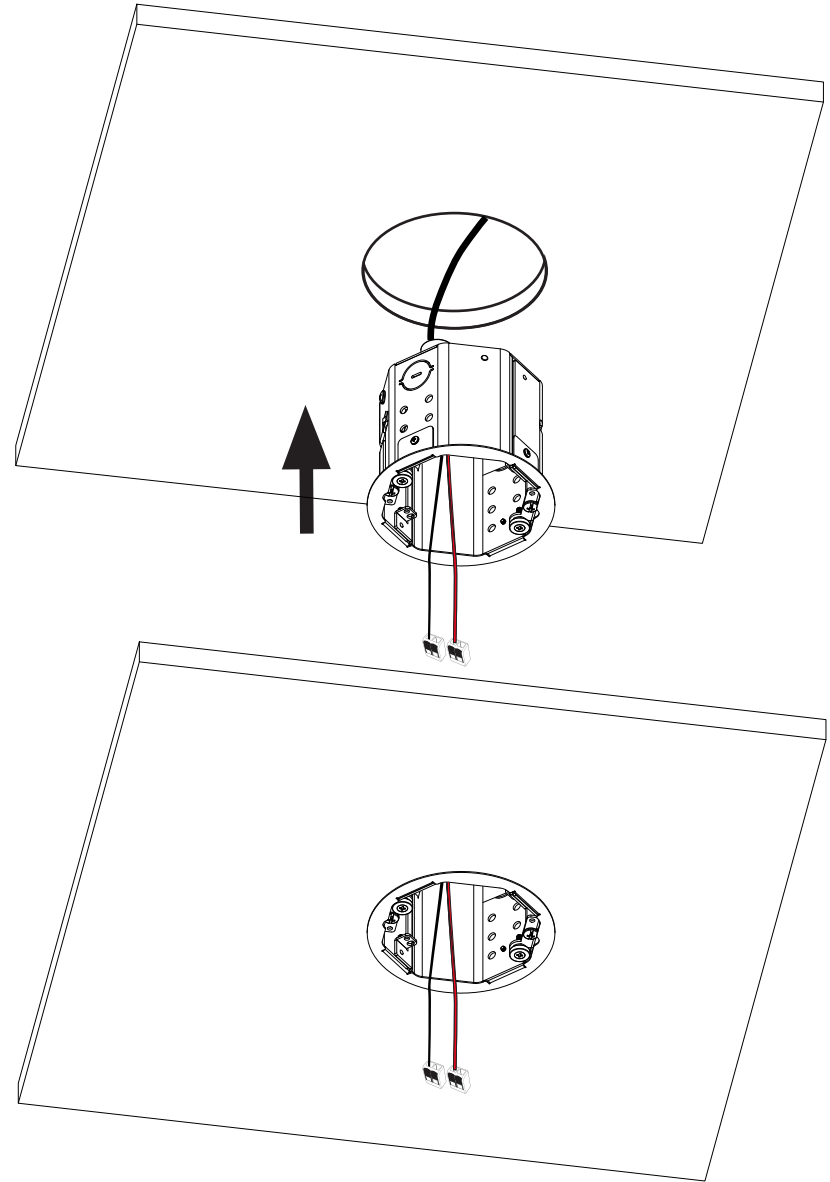
3



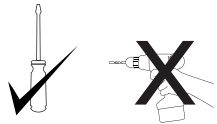
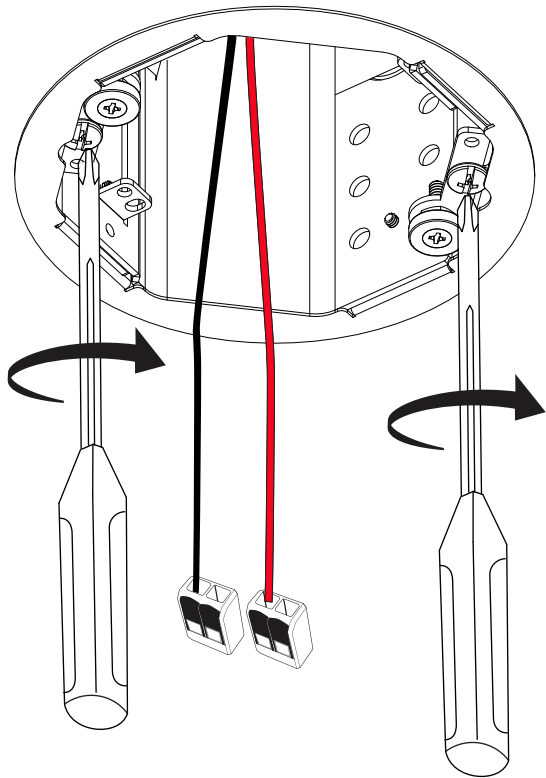
Ensure no wires are clipped or pinched during these steps.

4

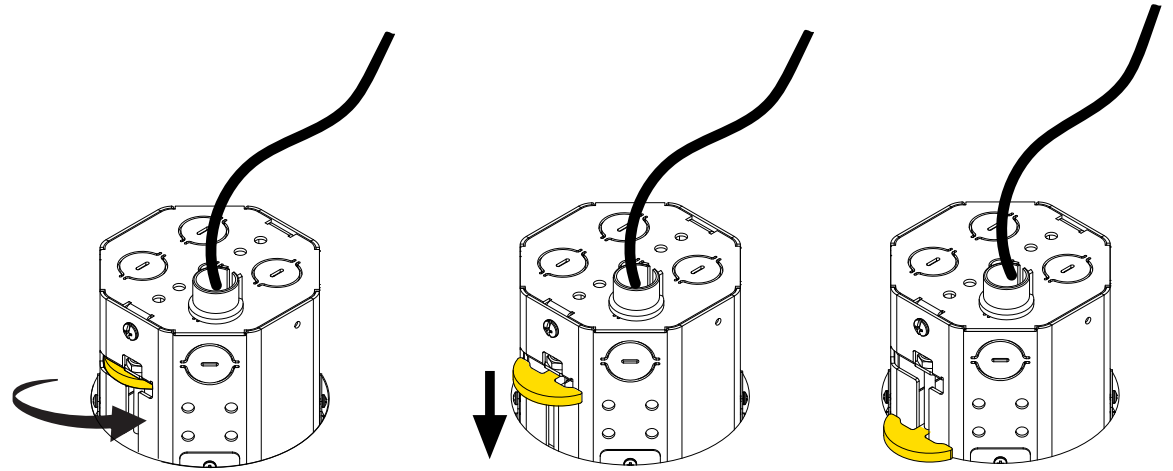
View from below



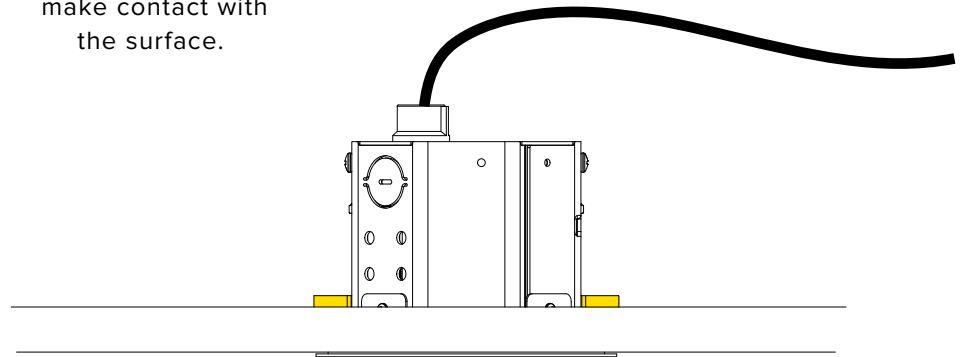
5



View from above



Stop when arms make contact with the surface.

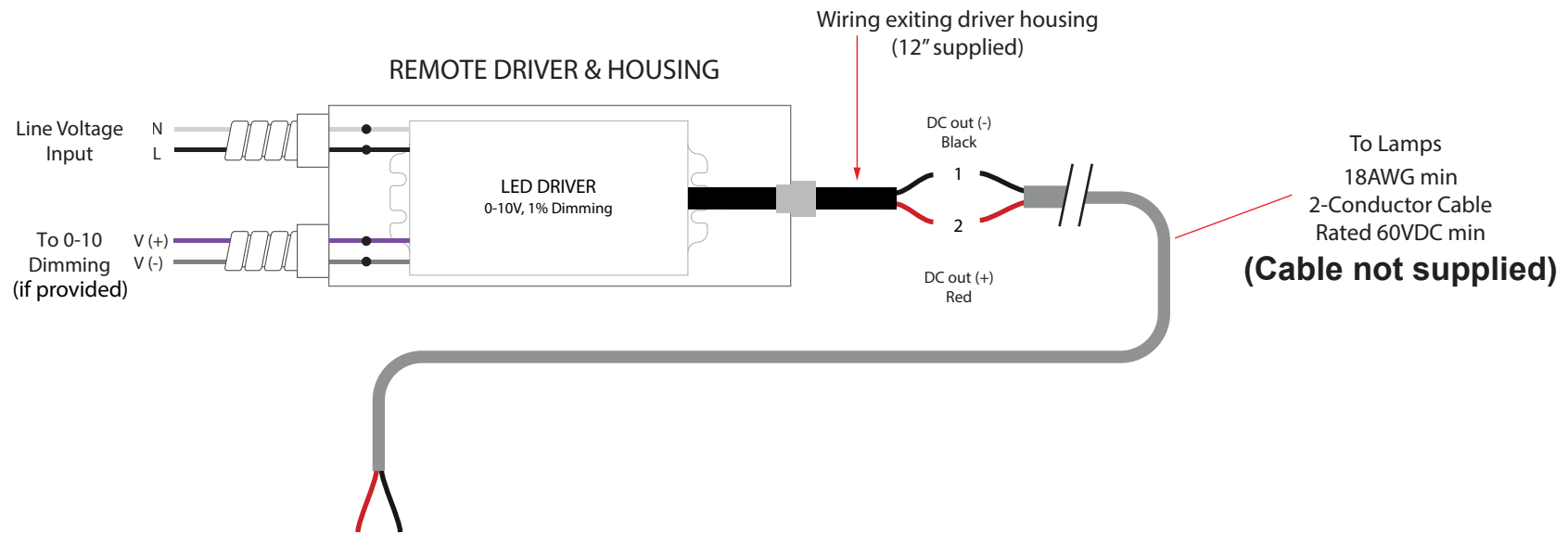
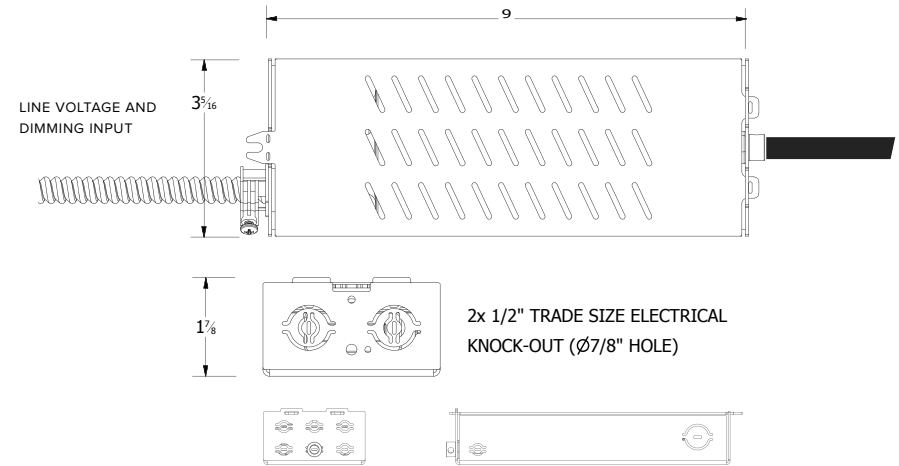


## REMOTE DRIVER HOUSING

- Must be accessible for maintenance in a well aerated location for heat dissipation

Remote Wire Gauge and Length Allowance Maximum distance between suspended structure internal wiring and remote driver housing

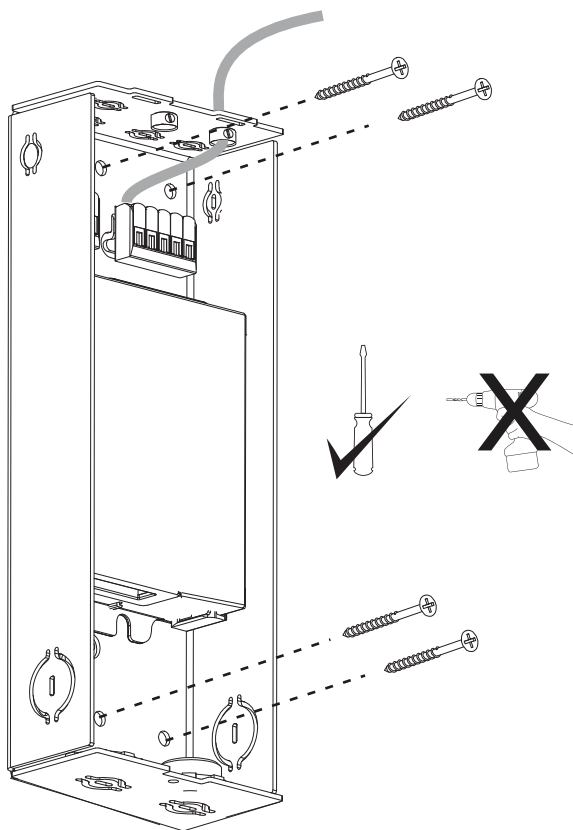
Wire gauge	Max Distance
18AWG	64.6 ft / 19.7m
16AWG	102.7 ft / 31.3m
14AWG	163.3 ft / 49.8m
12AWG	259.7 ft / 79.1m



6

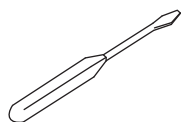
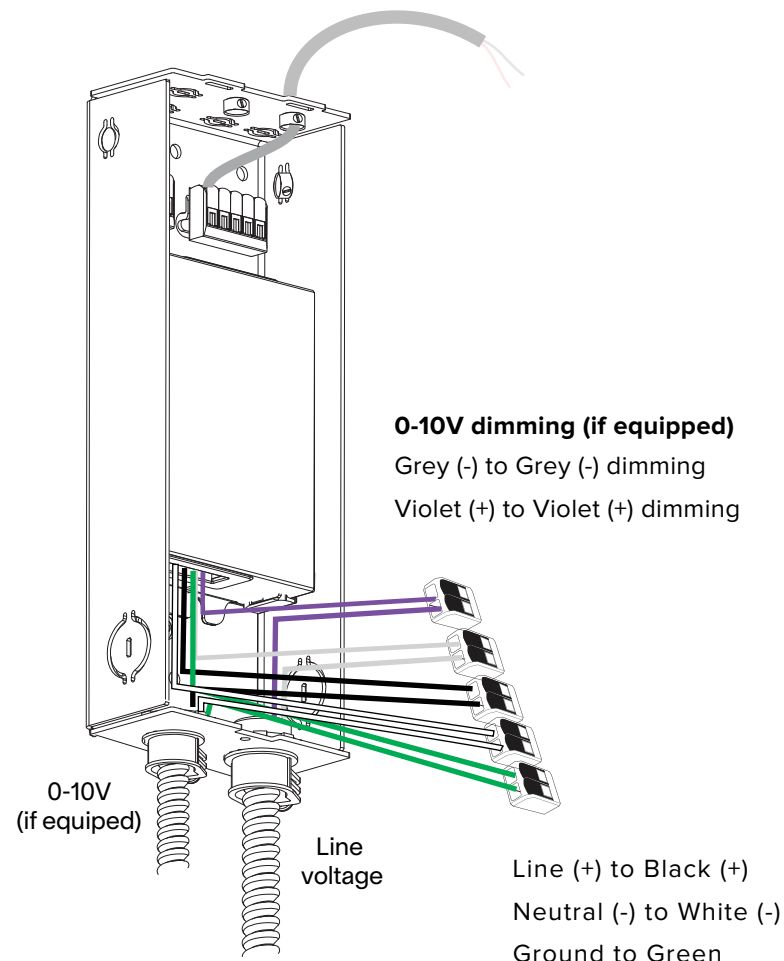
Remove cover and mount driver housing to wall.

Screws not provided.



7

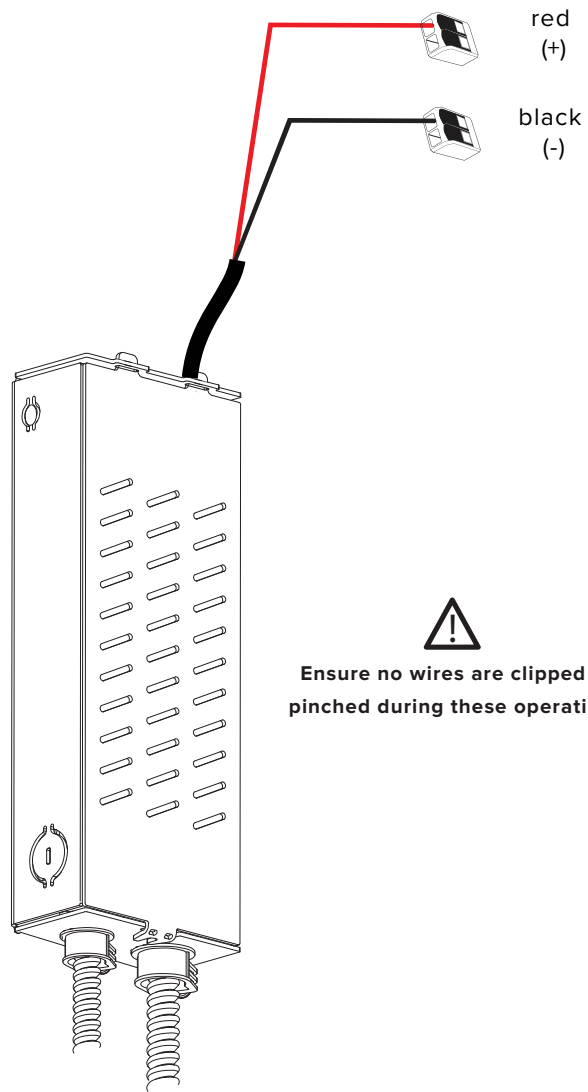
Make Line Voltage and dimming connections to driver wiring.



Use a screwdriver to knock out tab, then secure cables (not supplied)

8

Close driver housing and make low voltage connections.



Ensure no wires are clipped or pinched during these operations.

9

The recessed canopy is now installed, return to luminaire installation steps and follow the instructions (page 3).