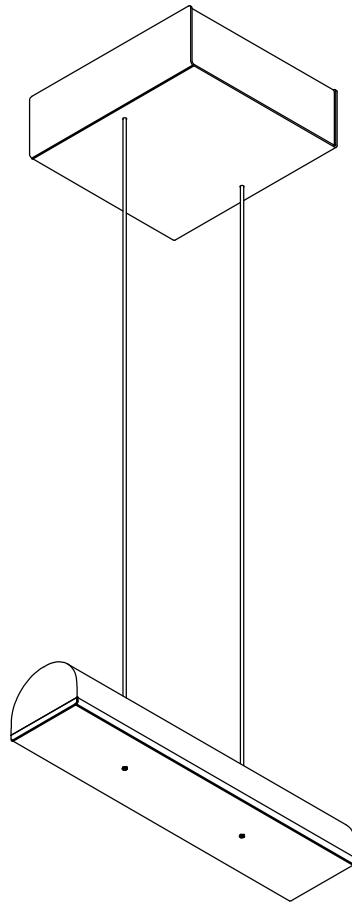


# HUTCHISON



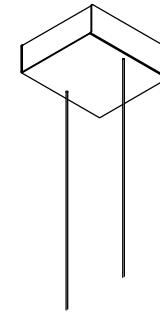
- To be installed by an electrician to an electrical box
- LED may only be changed by Lambert & Fils or other authorized personnel
- Use appropriate screws where necessary
- Use appropriate anchors and ensure your electrical box can hold the weight of the luminaire.
- Wear enclosed gloves when handling lamp
- Handle materials with care. Please consult lamp maintenance sheet on our web site



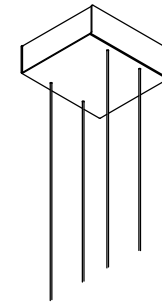
## PLEASE NOTE

THIS IS AN EXAMPLE OF THE HUTCHISON 01.  
HOWEVER, THE 02, 03 AND 04 FOLLOW  
THE SAME INSTALLATION PROCESS.

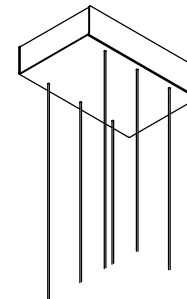
Hutchison 01



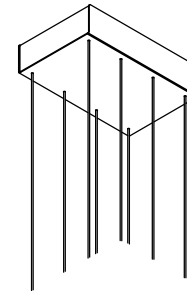
Hutchison 02



Hutchison 03



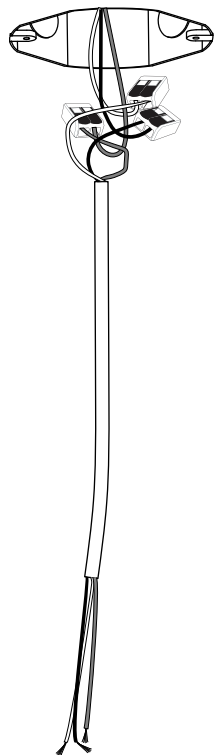
Hutchison 04



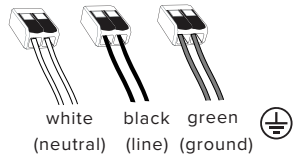
# INSTALL EXTENSION HARNESS

1

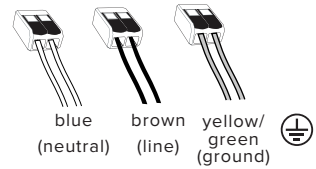
Connect the extension harness to the electrical box wires



for 120 V wiring

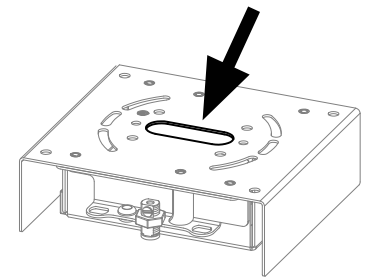
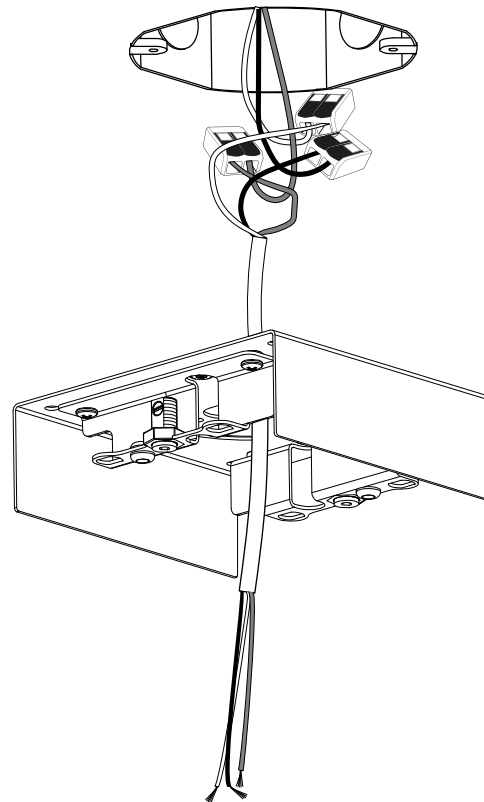


for 220-240 V wiring



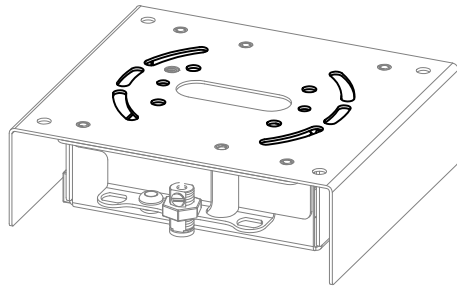
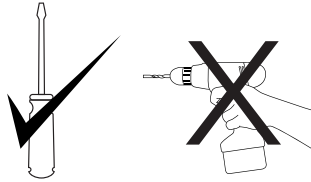
2

Pass the extension harness through center hole of canopy.



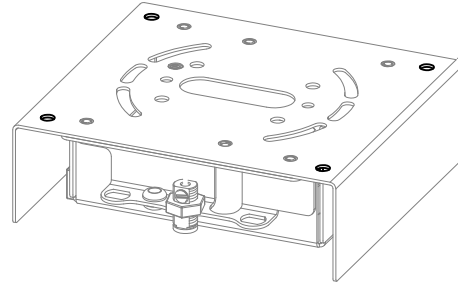
# MOUNT CANOPY BRACKET

3



To junction box

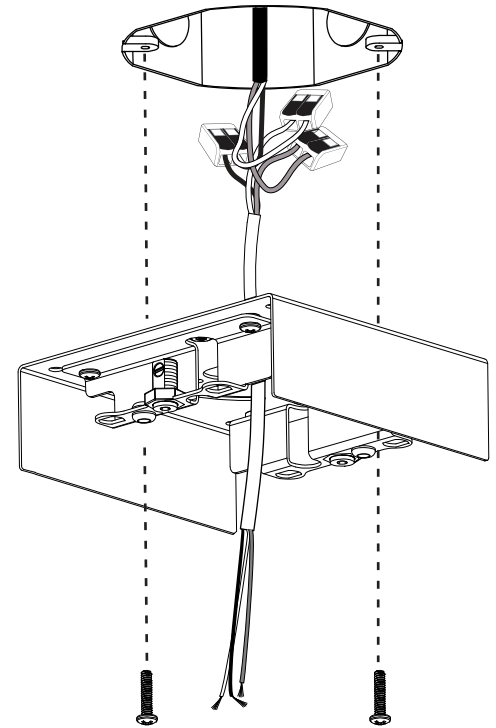
OR



directly to the ceiling



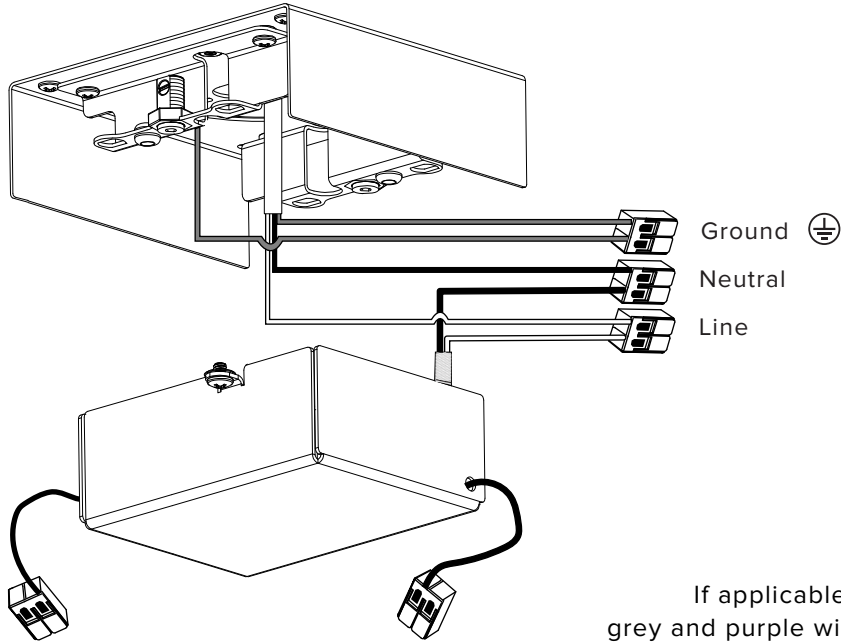
Use appropriate anchors.



# MAKE LINE/MAIN VOLTAGE CONNECTION TO ELECTRICAL BOX (AC)

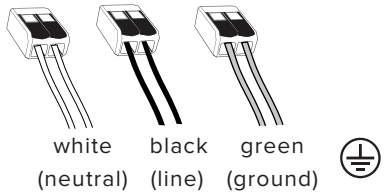
4

Connect the extension harness to AC input wires of the driver and connect ground from bracket to the harness.

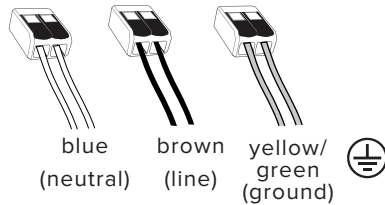


If applicable, use grey and purple wires for 0-10V for dimming circuit before closing the driver housing.

for 120 V wiring

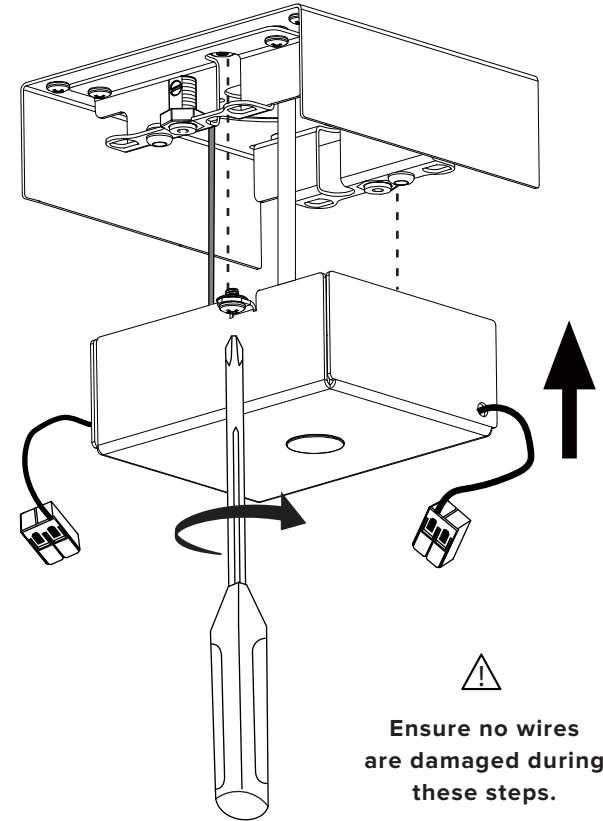


for 220-240 V wiring



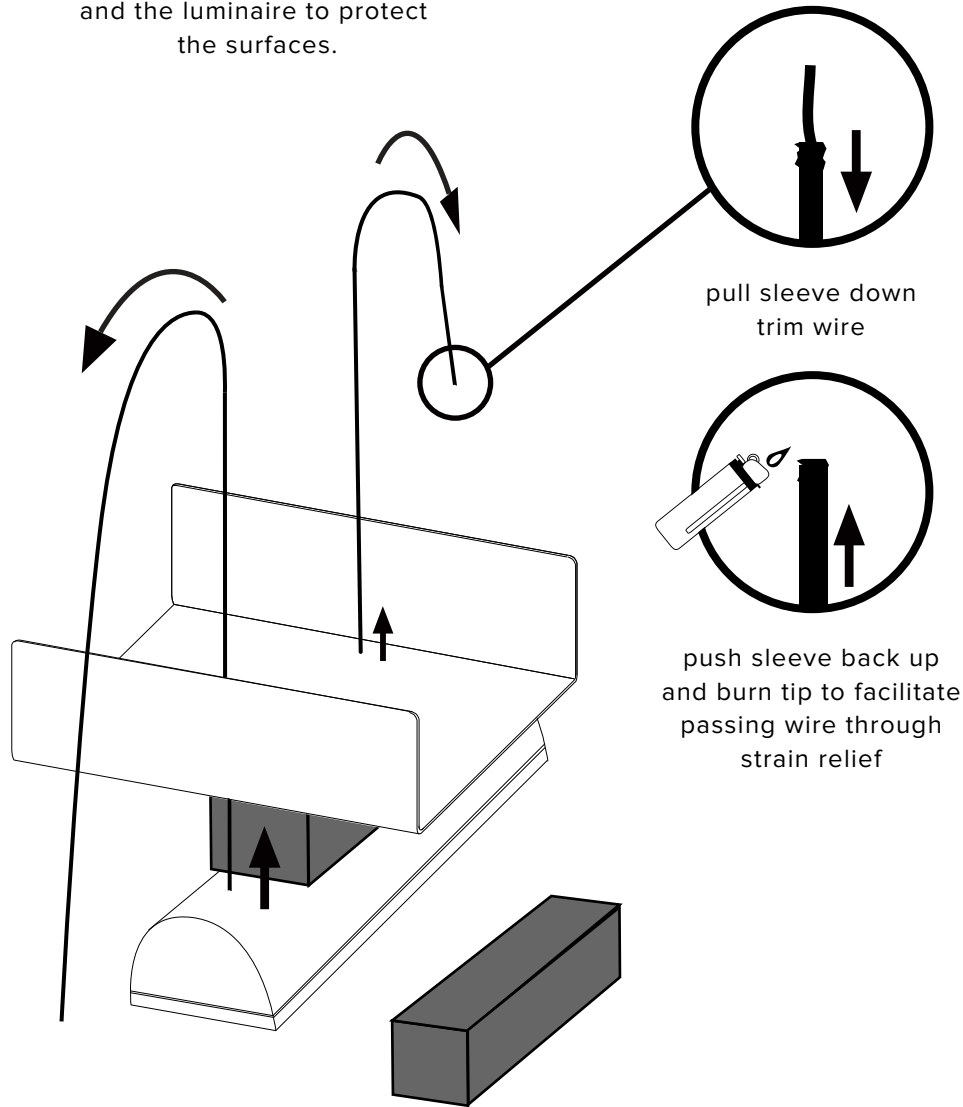
5

Screw in place the driver housing.



6

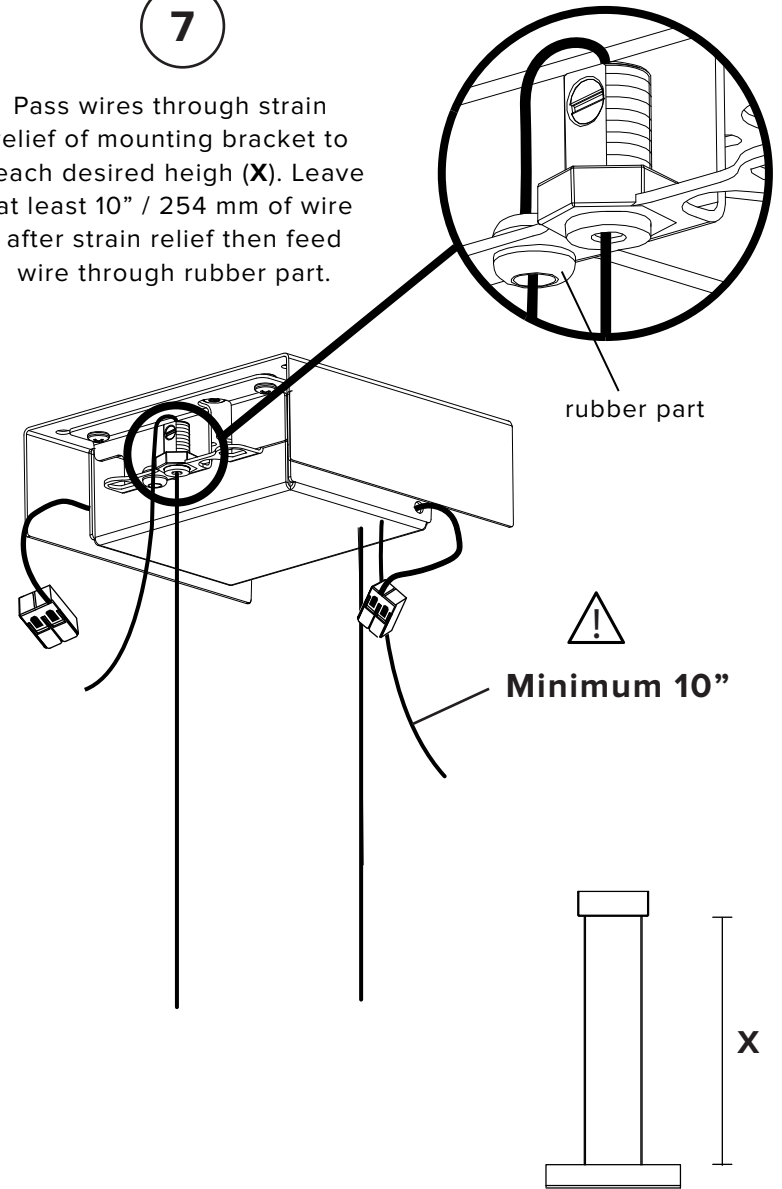
Pass wires through cover then place the provided foam spacer between the canopy and the luminaire to protect the surfaces.



\*You may keep your extrusion in the cardboard during the installation

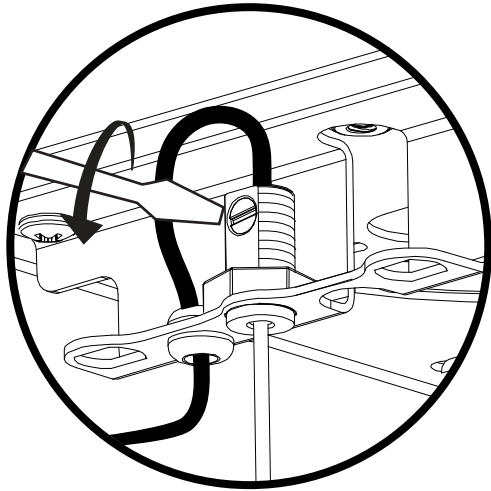
7

Pass wires through strain relief of mounting bracket to reach desired height (X). Leave at least 10" / 254 mm of wire after strain relief then feed wire through rubber part.



8

Tighten nylon set screw when desired length is achieved (**X**).

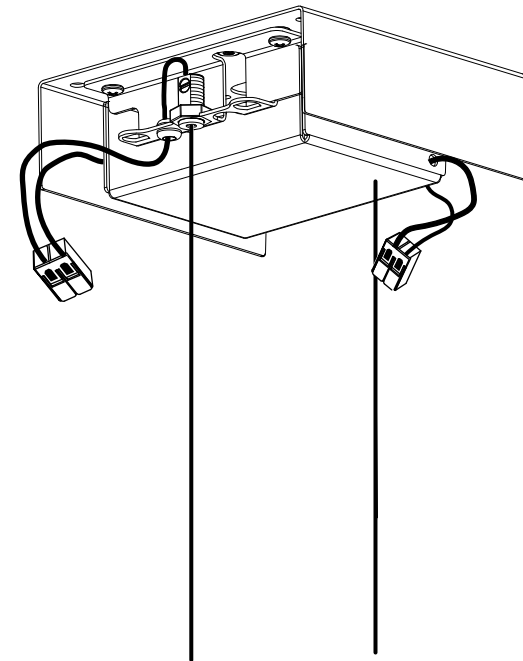


Micro adjustments  
can be made later.

## CONNECT DC WIRES ON BOTH SIDE OF HOUSING

9

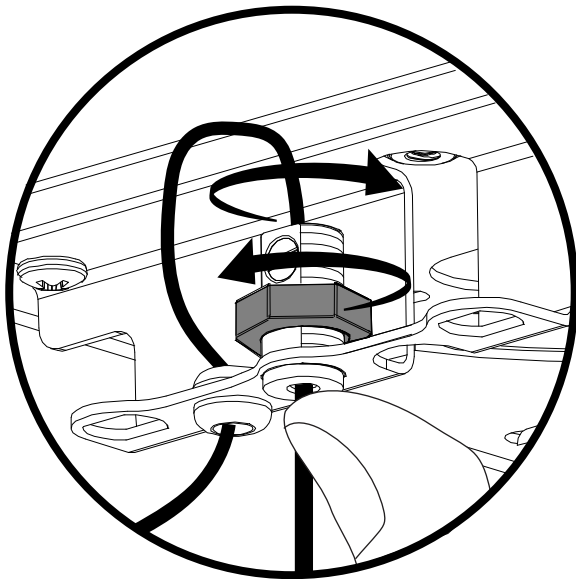
Red to grey/transparent (+)  
Black to black (-)



## MAKE MICRO ADJUSTMENTS

10

To level the luminaire, push up on the strain relief, then turn the brass nut to make any necessary adjustments.



Each wire should have equivalent tension on them

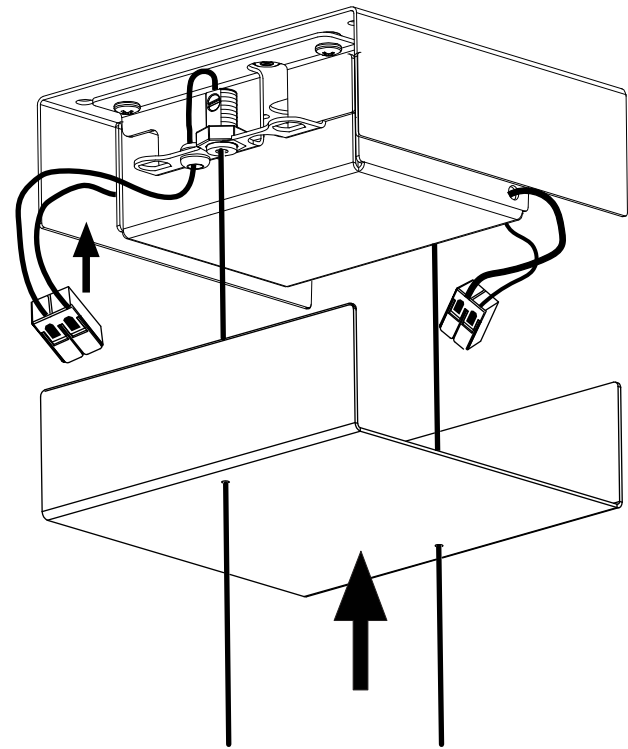


The brass nut must never exceed the top of the strain relief.

On the Hut 03 and Hut 04 versions adjust the four corner wires before the central wires

11

Replace canopy cover. Carefully push wires up into canopy.



Ensure no wires are damaged during this steps.