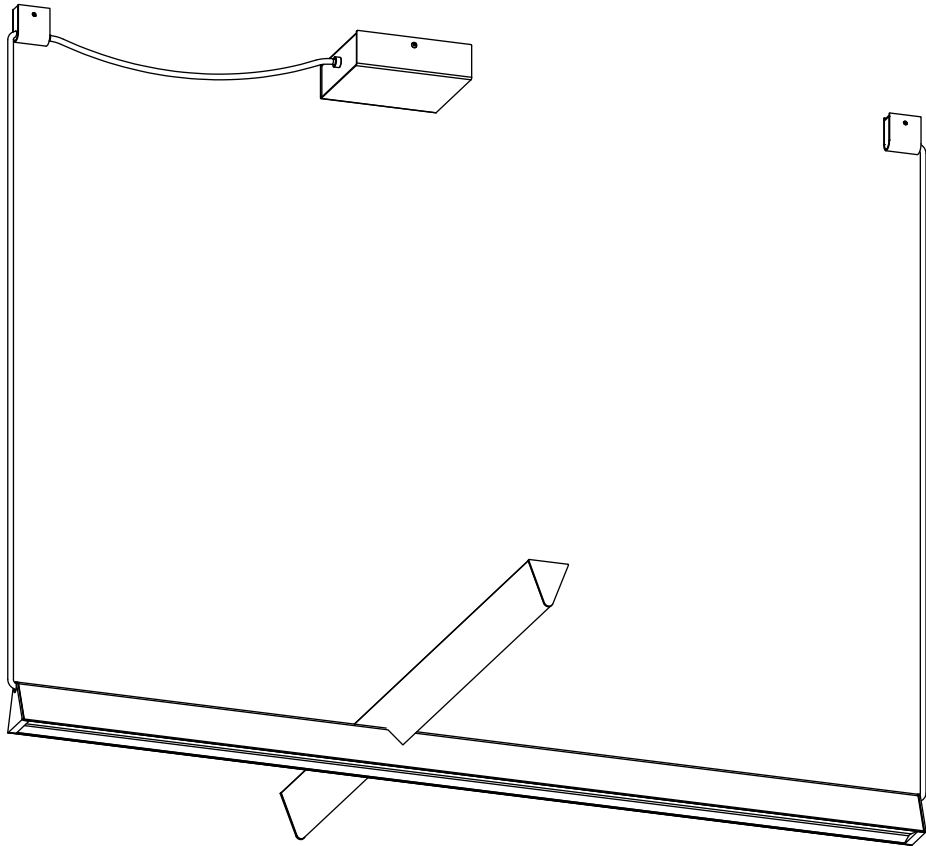



MILE 01, 02, 03



- 
- To be installed by an electrician to an electrical box
 - Use appropriate screws and anchors where necessary
 - Wear enclosed gloves when handling lamp
 - Handle materials with care. Please consult lamp maintenance sheet on our web site
 - Should be used exclusively as a lamp and not as a shelving, display or hanging unit

lamp weights **4-9 lbs.**



PLEASE NOTE

THIS IS AN EXAMPLE OF THE MILE 01.
HOWEVER, THE MILE 02 AND 03 FOLLOW
THE SAME INSTALLATION PROCESS.

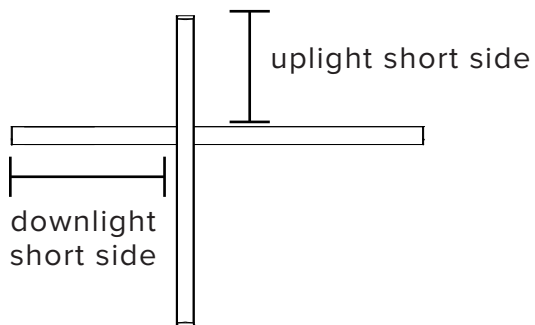
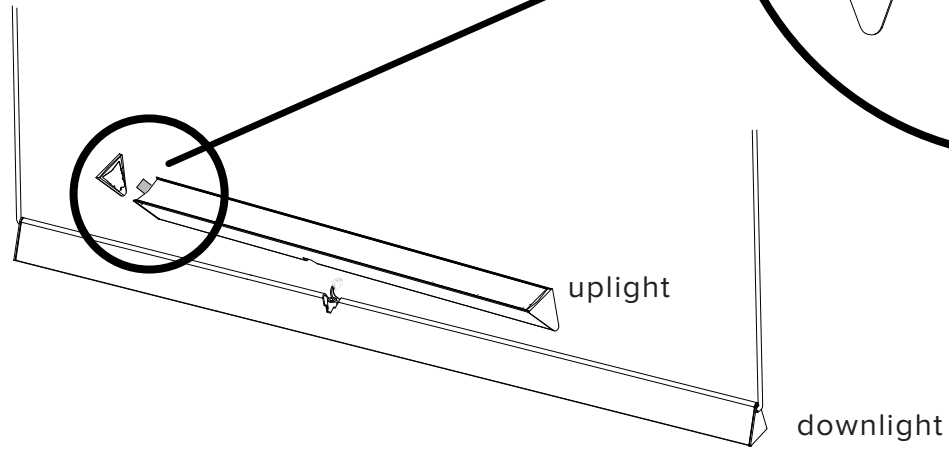
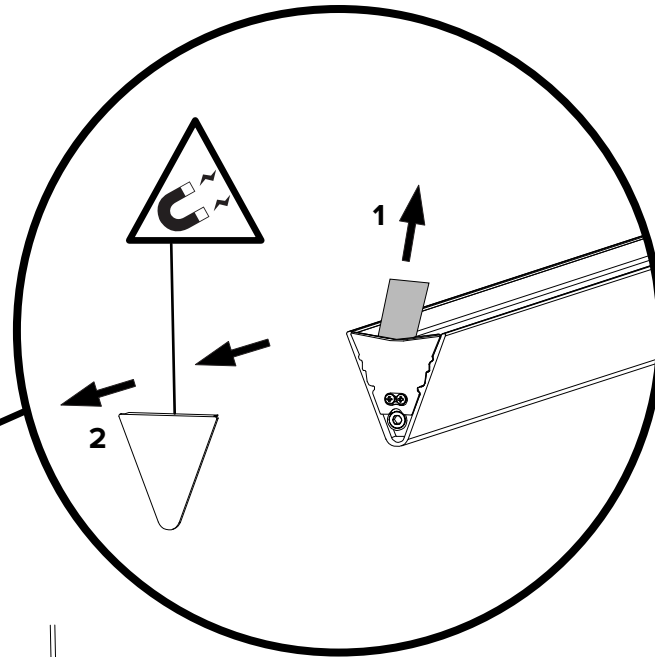
1

Remove endcap on short side of uplight.

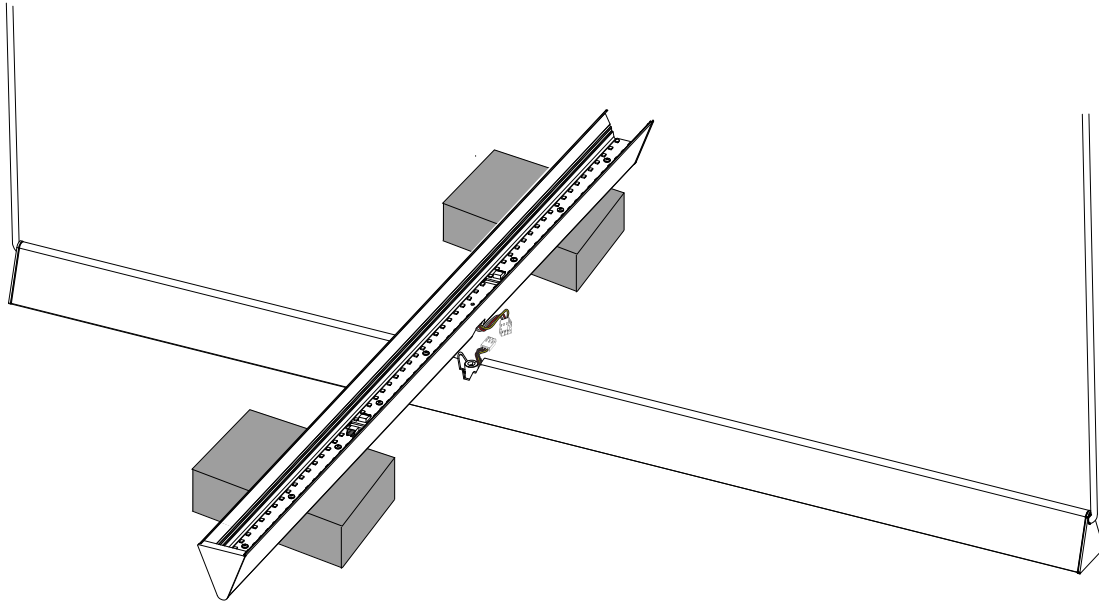
It is held in place with a magnet.

Pull tape up to remove lens

then **remove tape**.

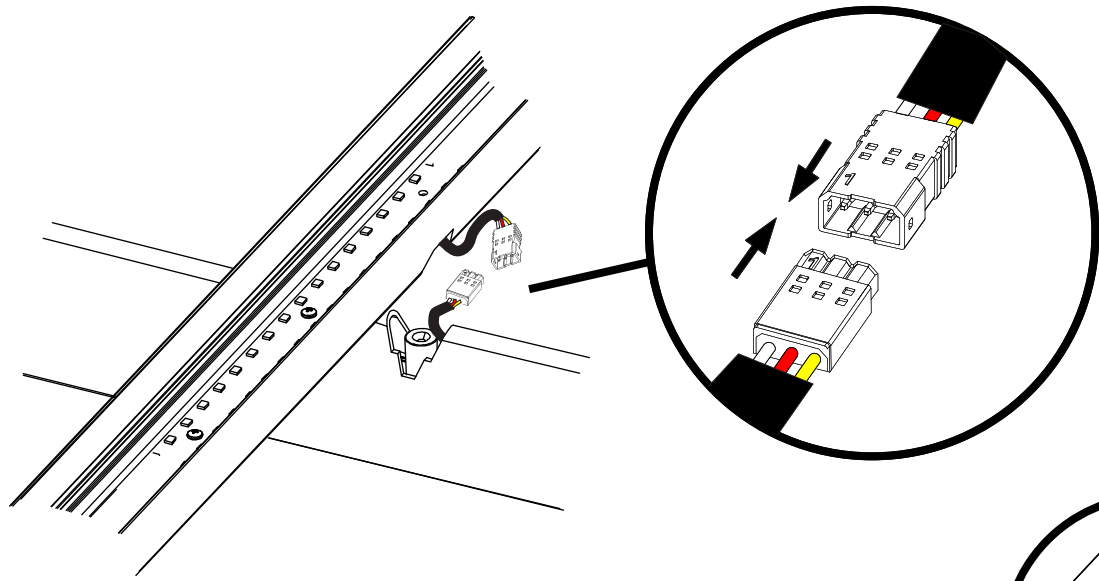


Becaretul that the endcap doesn't stick to other surfaces which could result in scratches in the paint.



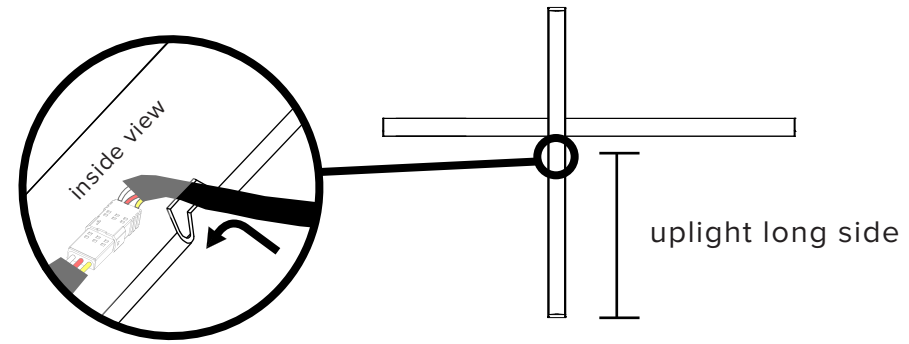
2

Before connecting the two sections of your luminaire, rest the upright on the foam in which it was shipped.



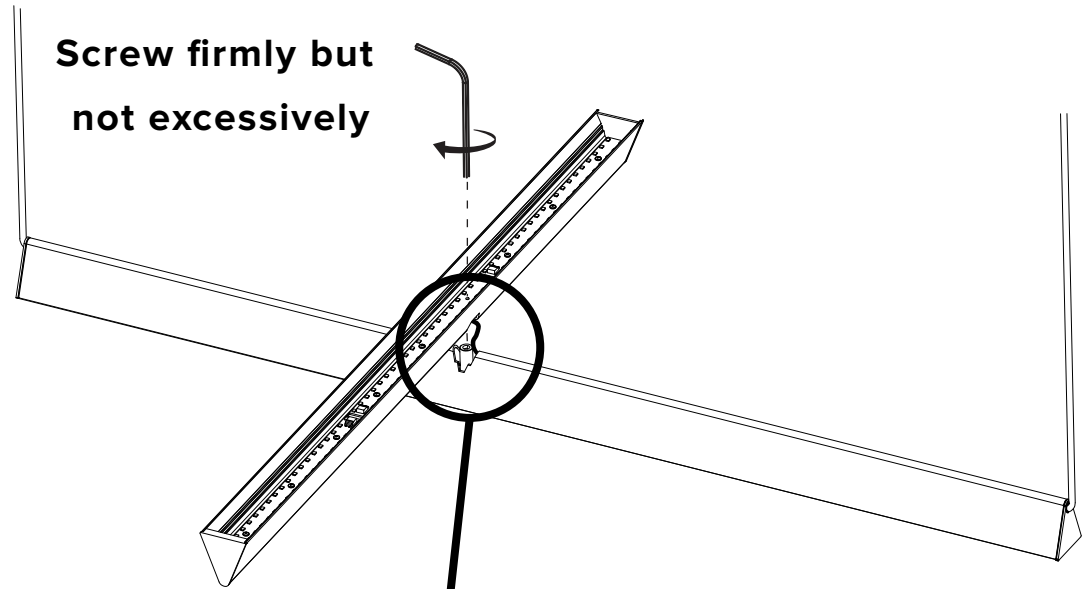
3

Make the connection between the two sections. Then carefully push them back into the upright long side.

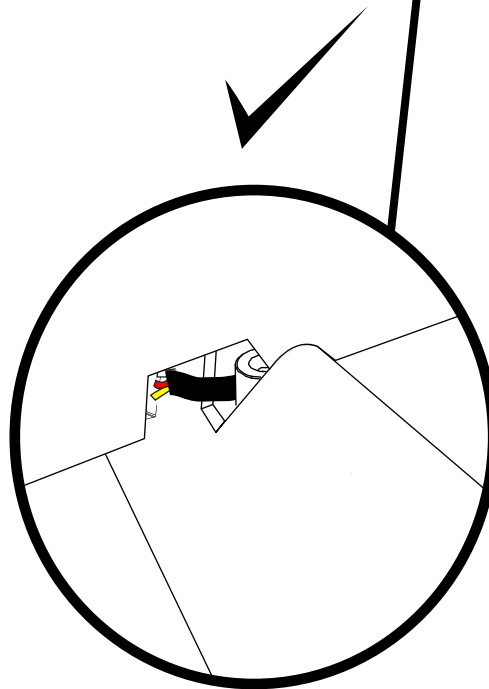


4

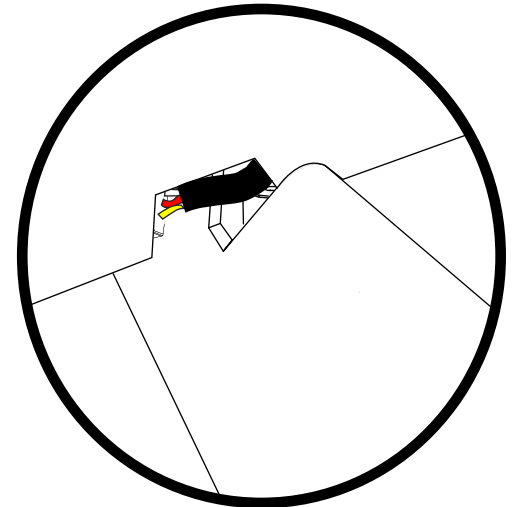
Reorientate uplight into the slot of the downlight.
Screw it into place with provided allen key.



While you bring the two extrusions together ensure to place the downlight wires next to the anchor. Make sure the wire does not sit on top of the anchor and that it does not get pinched or scuffed.



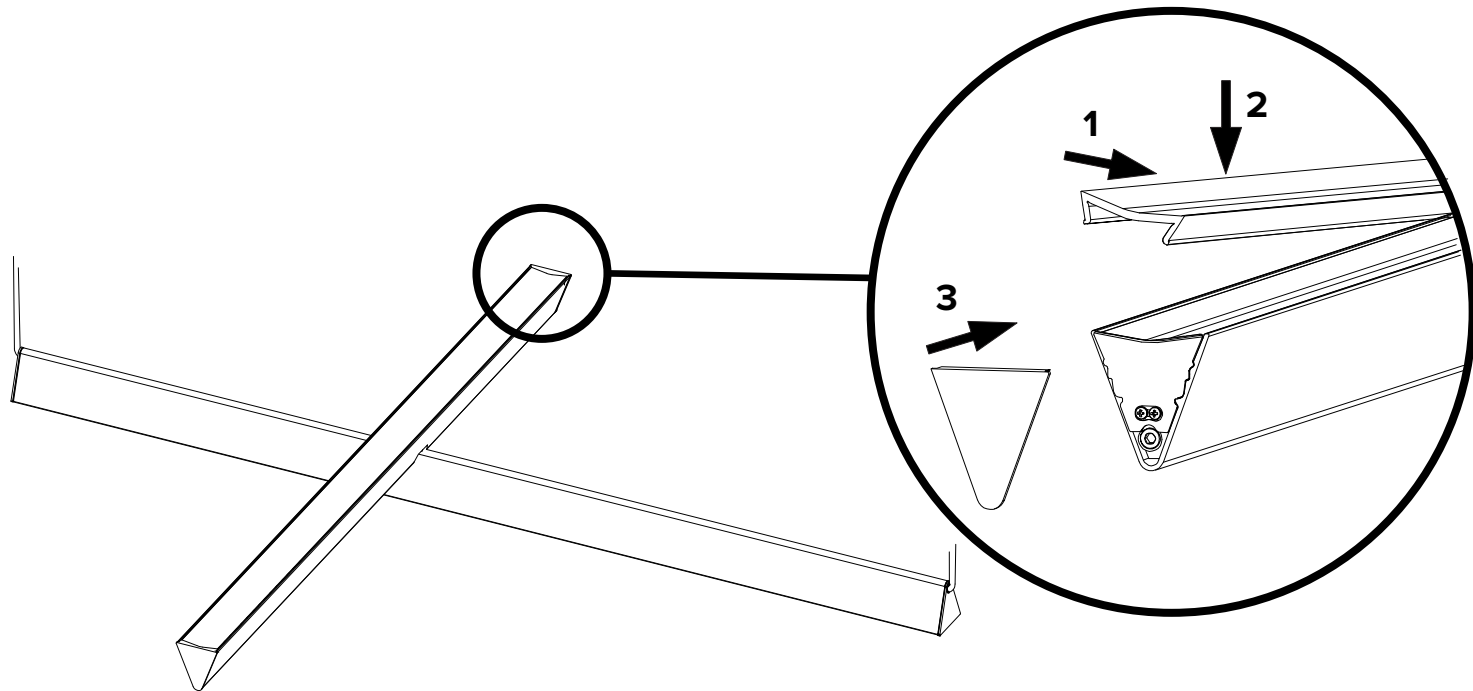
X



5

Slide lens into opposite endcap (1)
then snap lens back into slots (2).

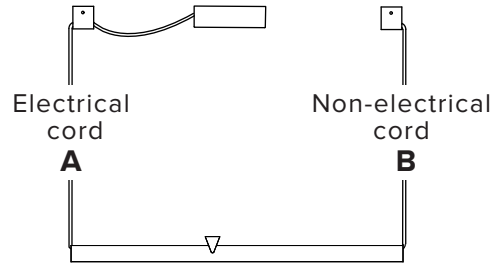
Replace endcap (3).



6

Mark anchor locations

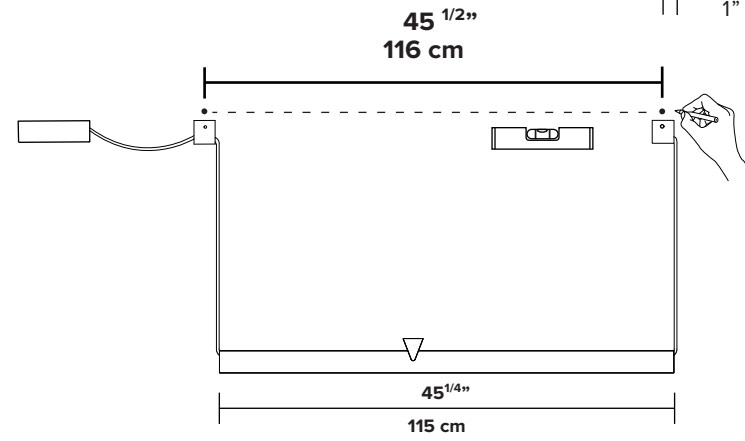
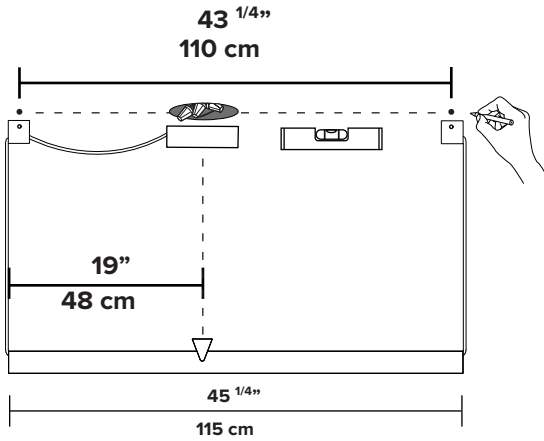
Be sure all ceiling holes are aligned.
We recomend you mount luminaire with
uplight aligned with junction box.



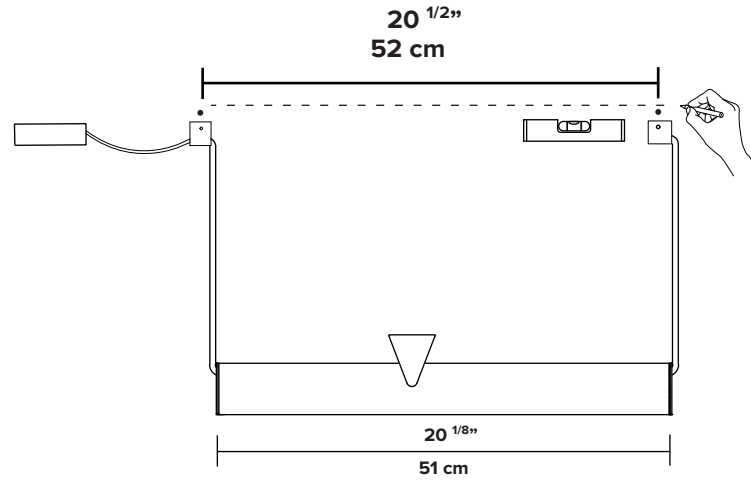
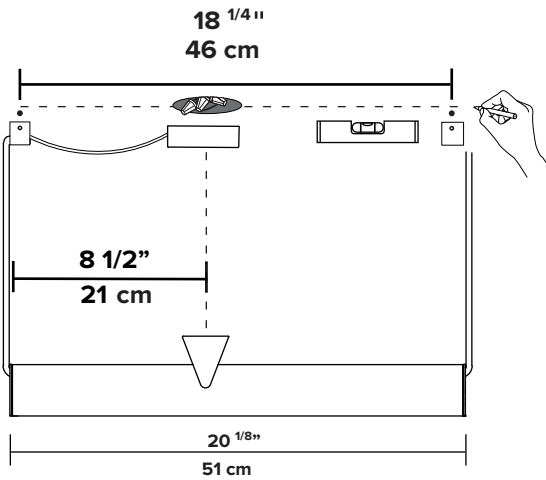
**Make sure to use appropriate
anchors for ceiling material**

1" 25 mm Please note the edge of
your luminaire will be
1" from your anchor hole.

**MILE 01
&
MILE 03**



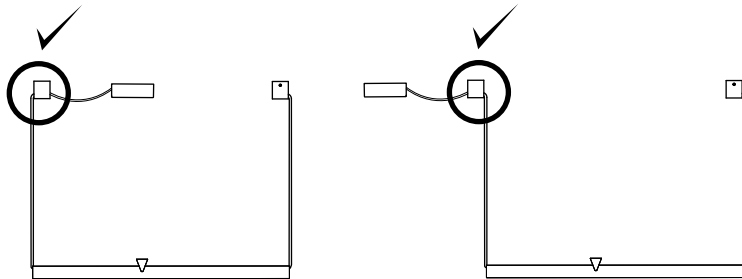
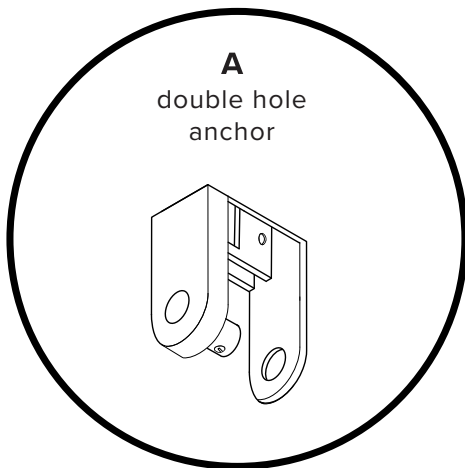
MILE 02



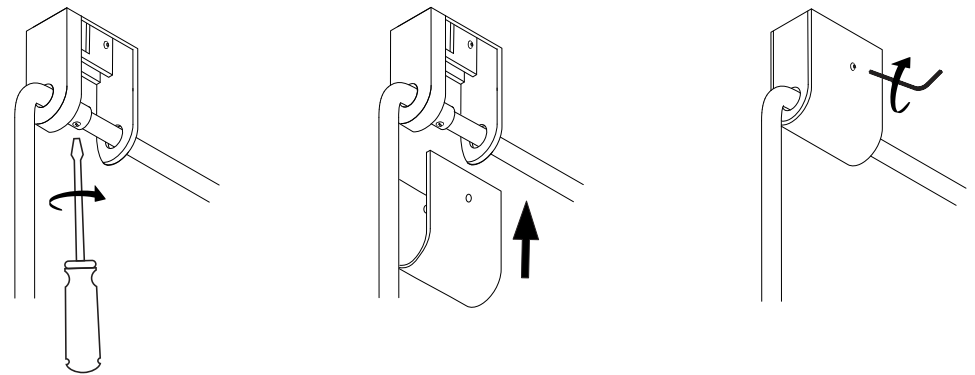
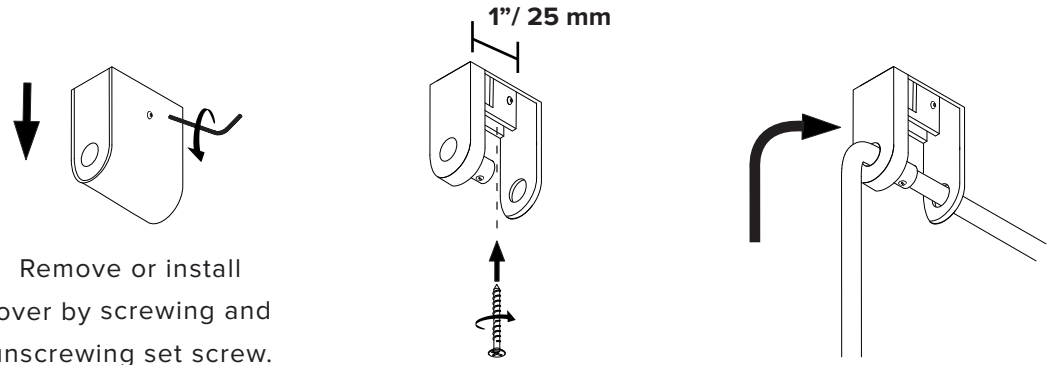
7

Mount double hole anchor with electrical cord.

Pull wires to straighten them before mounting them.



Make sure to use appropriate anchors for ceiling material

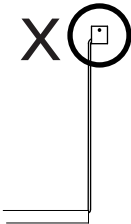
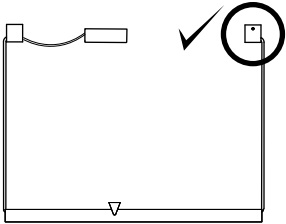
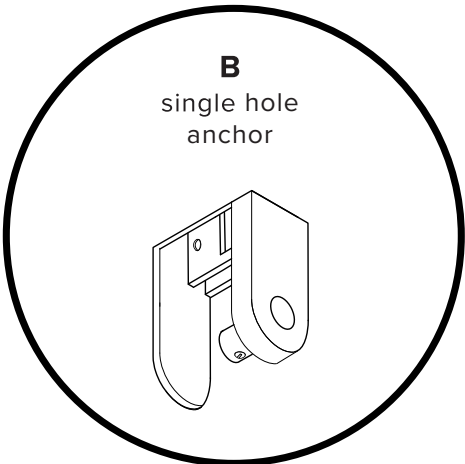


Screw gently, but firmly

8

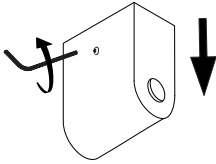
Mount single hole anchor with non-electrical cord.

Pull wires to straighten them before mounting them.

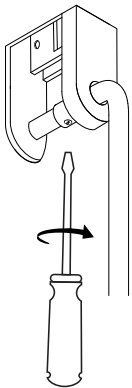
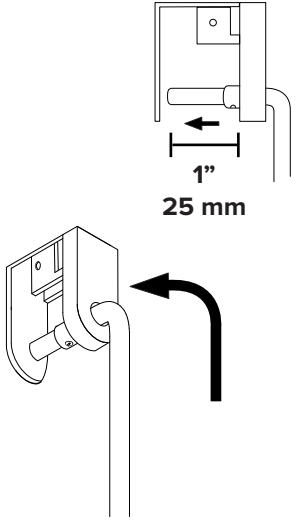
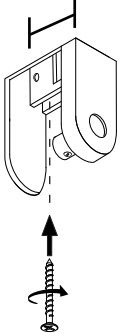


Make sure to use appropriate anchors for ceiling material

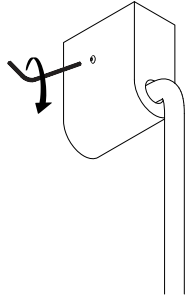
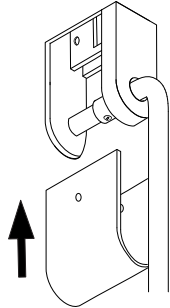
1" / 25 mm



Remove or install cover by screwing and unscrewing set screw.



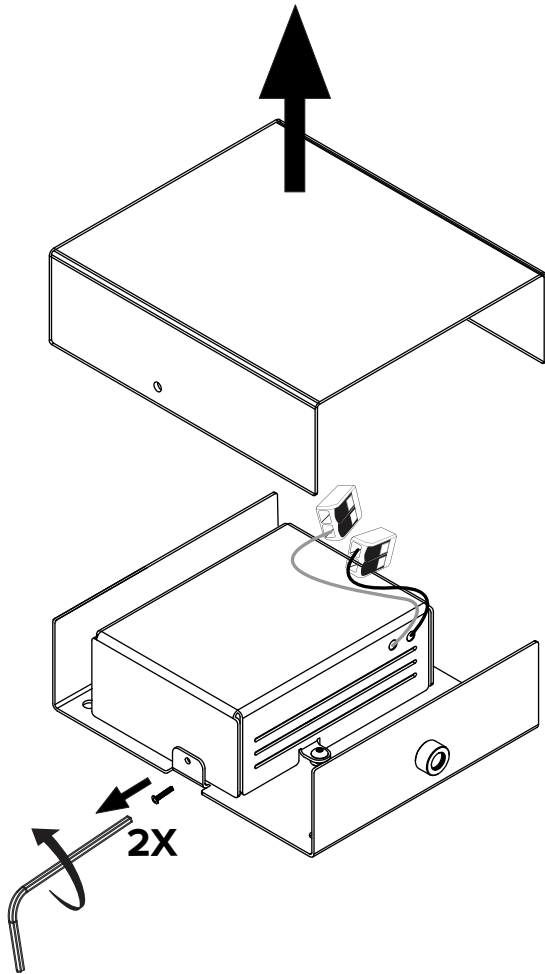
Screw gently, but firmly



INSTALL EXTENSION HARNESS TO LINE/MAIN VOLTAGE

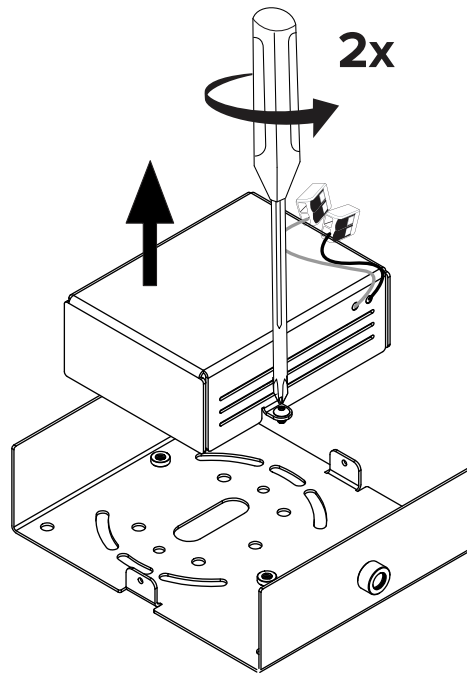
9

Open canopy cover.
It is held in place with
2 screws.



10

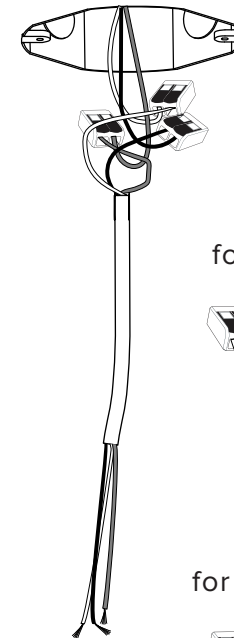
Unscrew provided driver
housing. It is held in
place by two screws.
Place the housing aside.



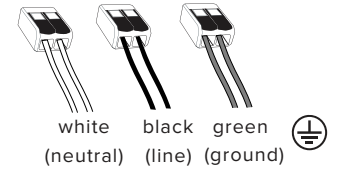
11

Connect the
extension harness to the
junction box if necessary.

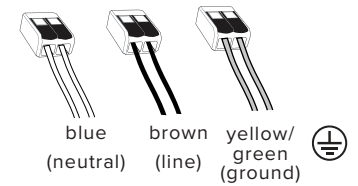
The harness
is shipped with the canopy.



for 120 V wiring



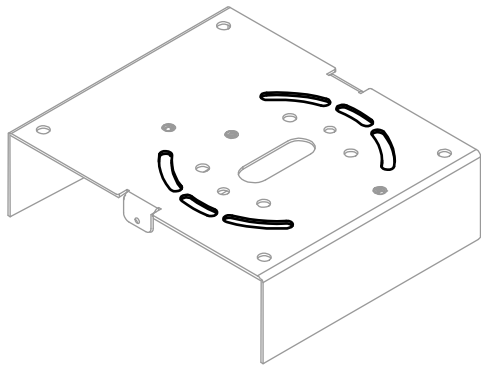
for 220-240 V wiring



MOUNT CANOPY BRACKET

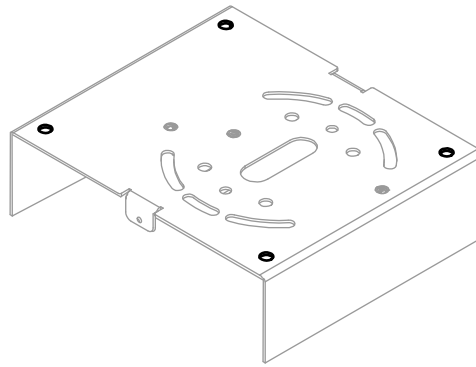
12

The canopy can either be mounted to the junction box or directly to the ceiling using appropriate holes.



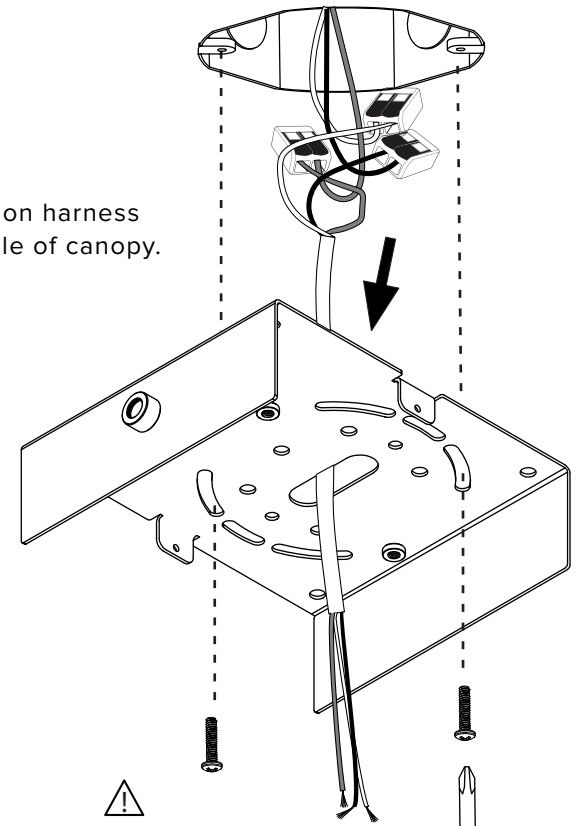
To junction box

OR

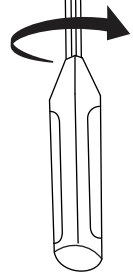
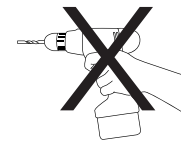
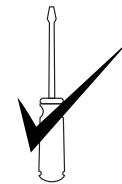


directly to the ceiling
*use appropriate anchors

Pass the extension harness through center hole of canopy.

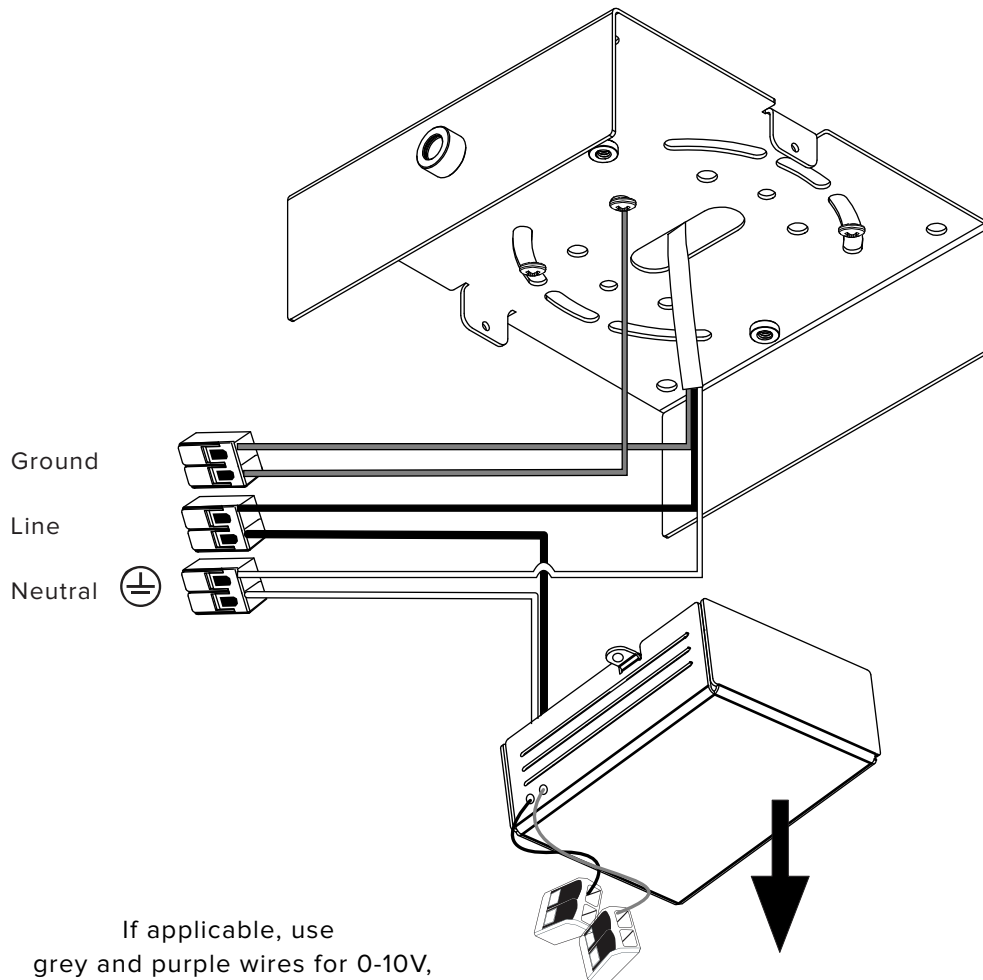


Ensure no wires are clipped or pinched during these steps.



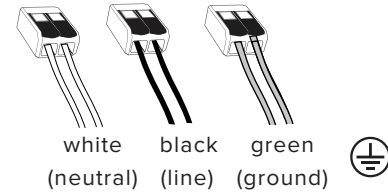
CONNECT EXTENSION HARNESS (ELECTRICAL BOX) TO DRIVER'S AC INPUT WIRES

13

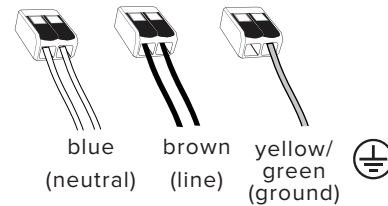


11mm

for 120 V wiring



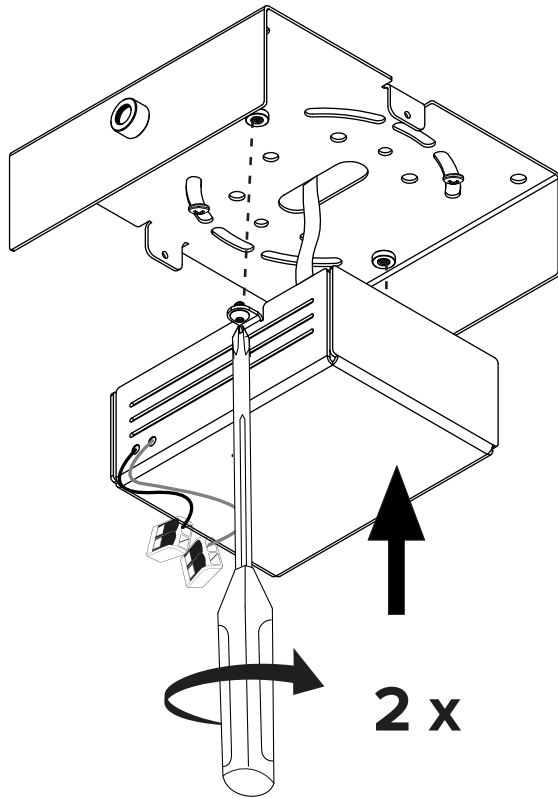
for 220-240 V wiring



If applicable, use
grey and purple wires for 0-10V,
or orange wires for DALI
dimming circuit before closing
the driver housing.

14

Carefully close driver enclosure. It is held by two screws.

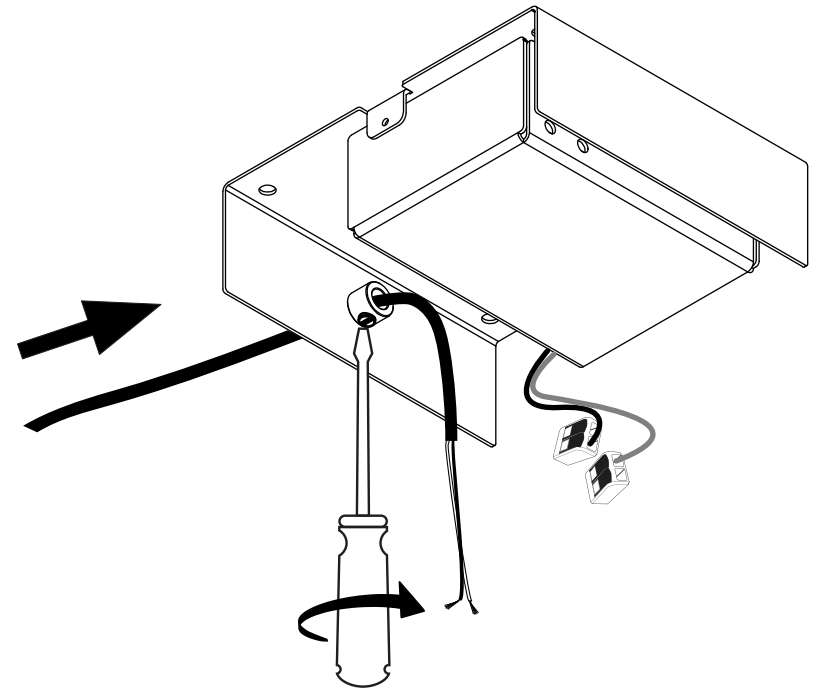
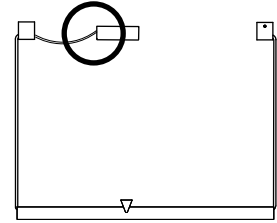


Ensure no wires are clipped or pinched during these steps.

15

Feed luminaire cord into the canopy strain relief.

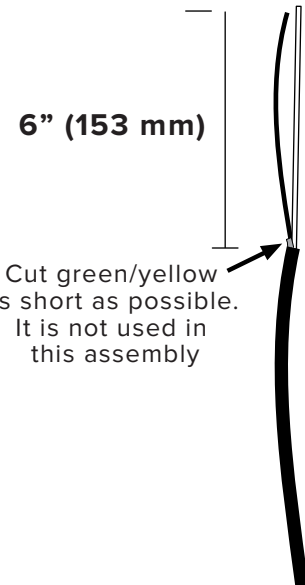
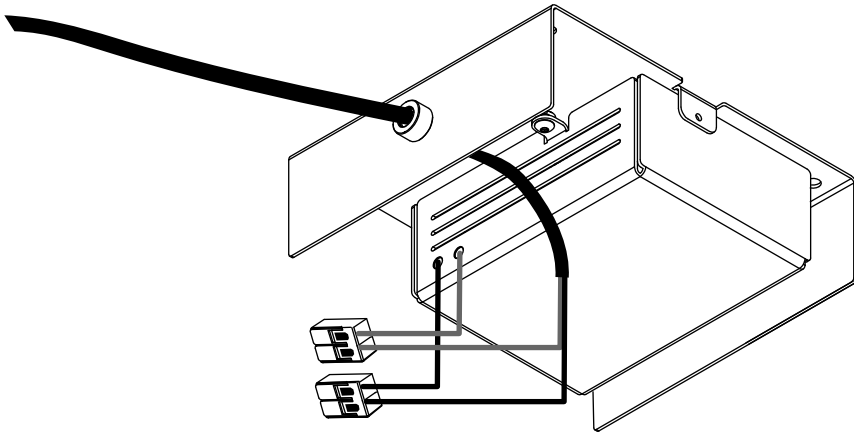
Tighten strain relief set screw when desired cord length is reached.



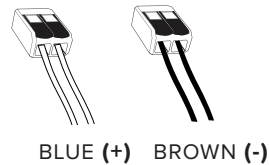
*screw gently but firmly

CONNECT LUMINAIRE CORD TO DRIVER DC WIRES

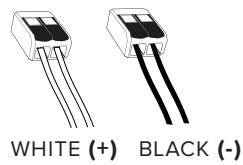
16



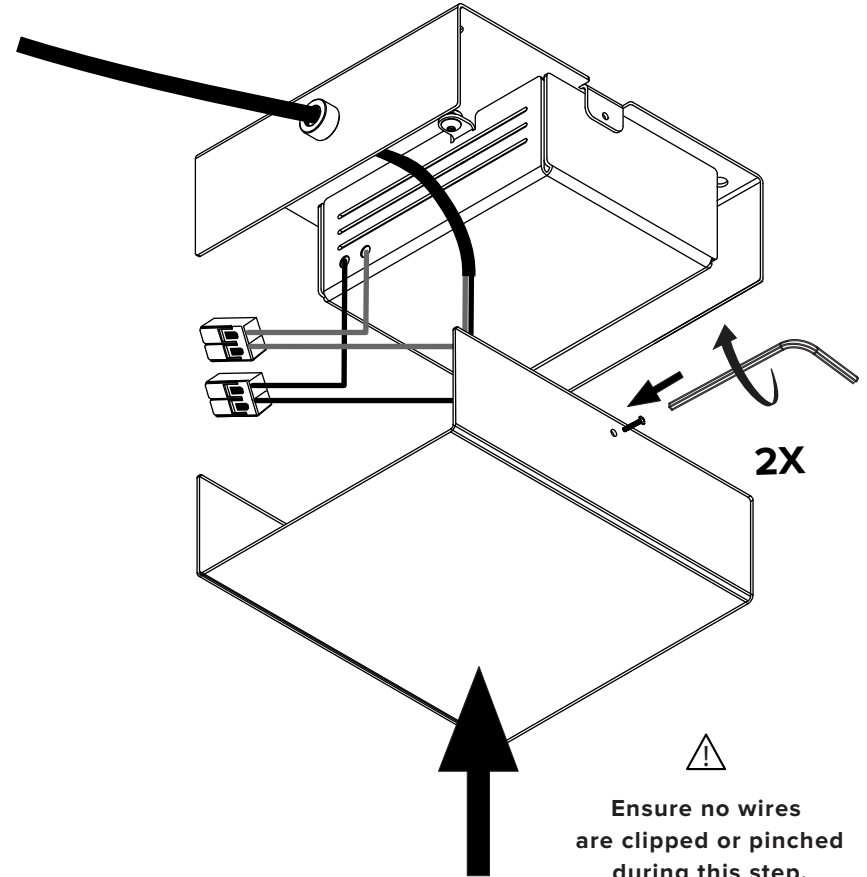
Depending on your location,
the luminaire cord will either be
Blue (+) and brown (-)
or
White (+) and Black (-)



OR



17



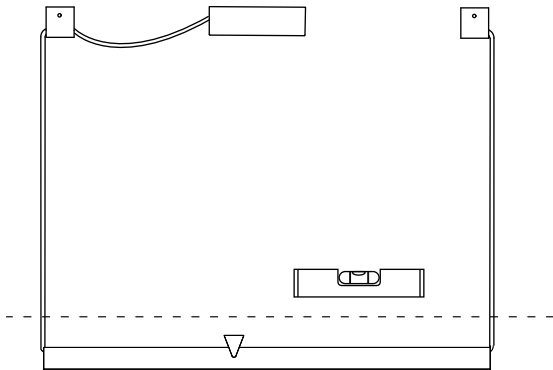
LEVELING THE LUMINAIRE



Before adjusting wire length or interior weight, carefully attempt to balance the luminaire by hand. The wire's flex can allow micro adjustments of their own.

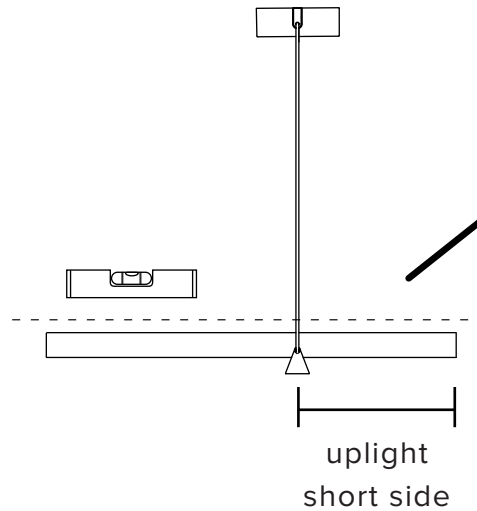
18

if necessary level
downlight by adjusting
length of wires.

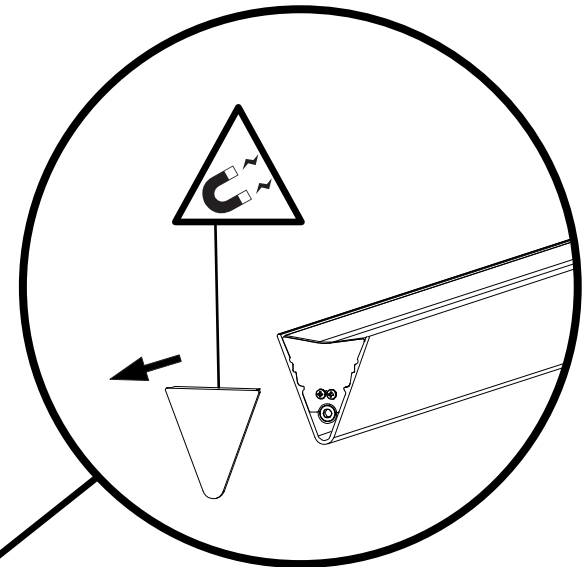


19

Should uplight adjustments
be needed, remove endcap
on short side arm.



Endcap is held in place
with a magnet.



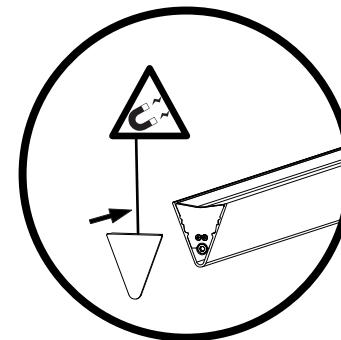
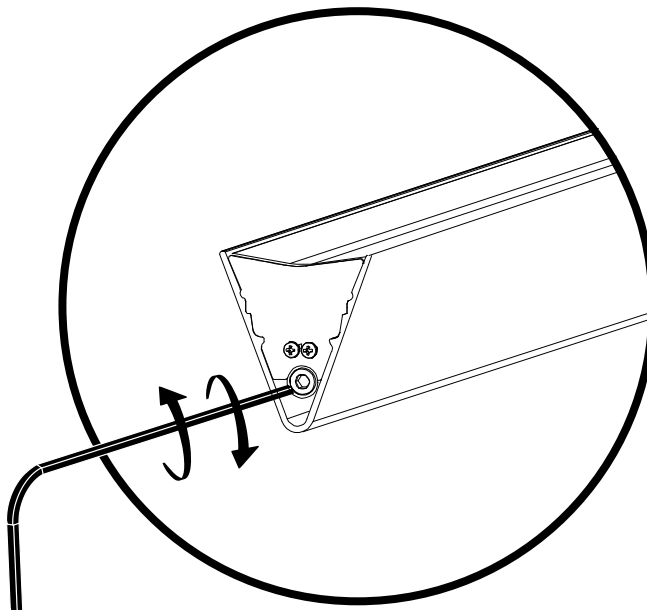
20

The adjustment screw holding the balance weight is now visible. Use supplied allen key to screw weight in or out depending on balance.



Note that the endcap affects final balance of luminaire!

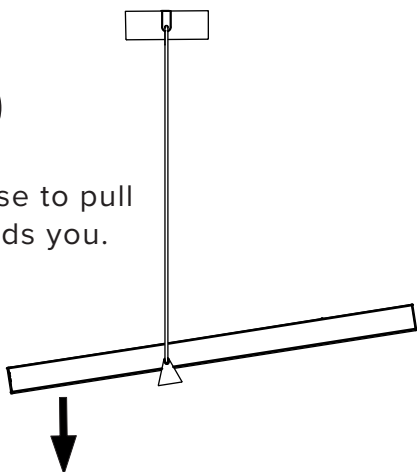
Luminaire will not appear balanced until the cap is in place.



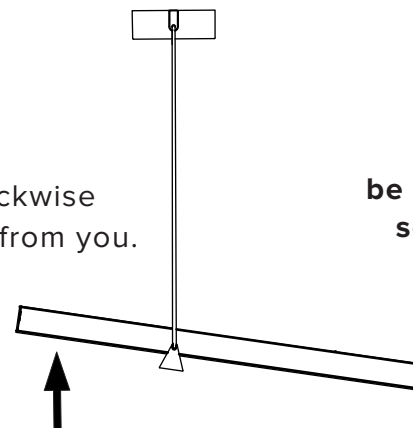
Replace endcap when adjustments are complete



Screw clockwise to pull weight towards you.



Screw counter-clockwise to push weight away from you.



Readjustments may be required as your luminaire settles and the wires flex.