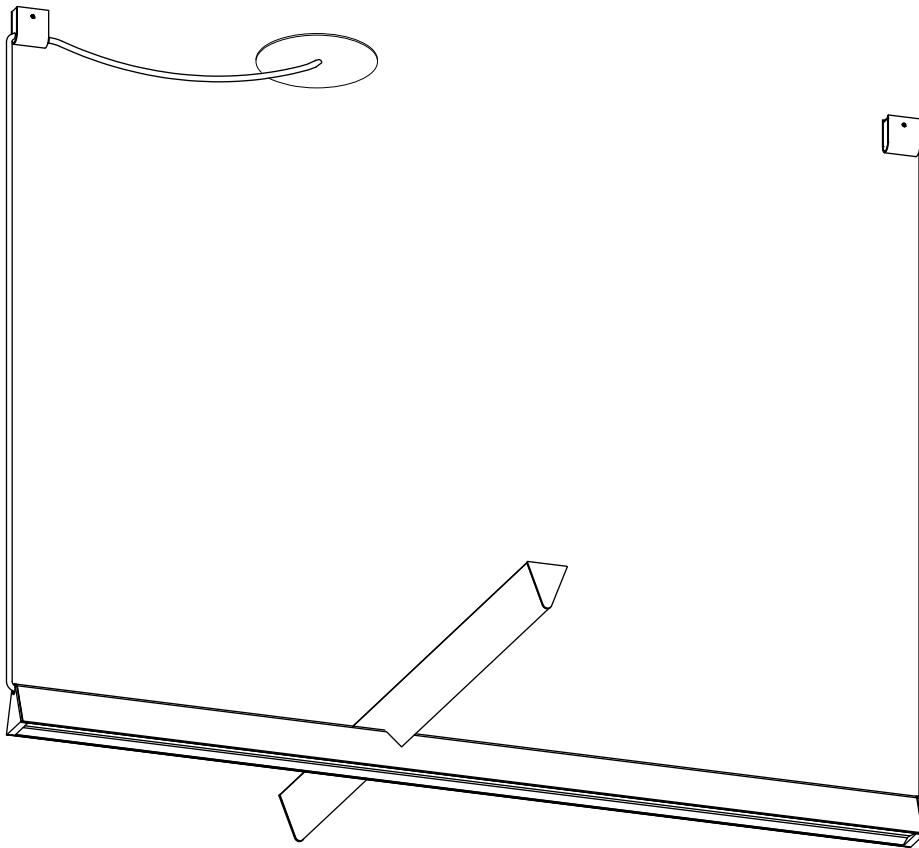

MILE 01, 02, 03 120V

(phase and 0+10V dimming)
Plenum or remote installation



- Please read entire manual before beginning installation
- To be installed by an electrician
- Use appropriate screws and anchors where necessary
- Wear enclosed gloves when handling lamp
- Handle materials with care. Please consult lamp maintenance sheet on our web site



**Never turn on power supply
until installation is completed**

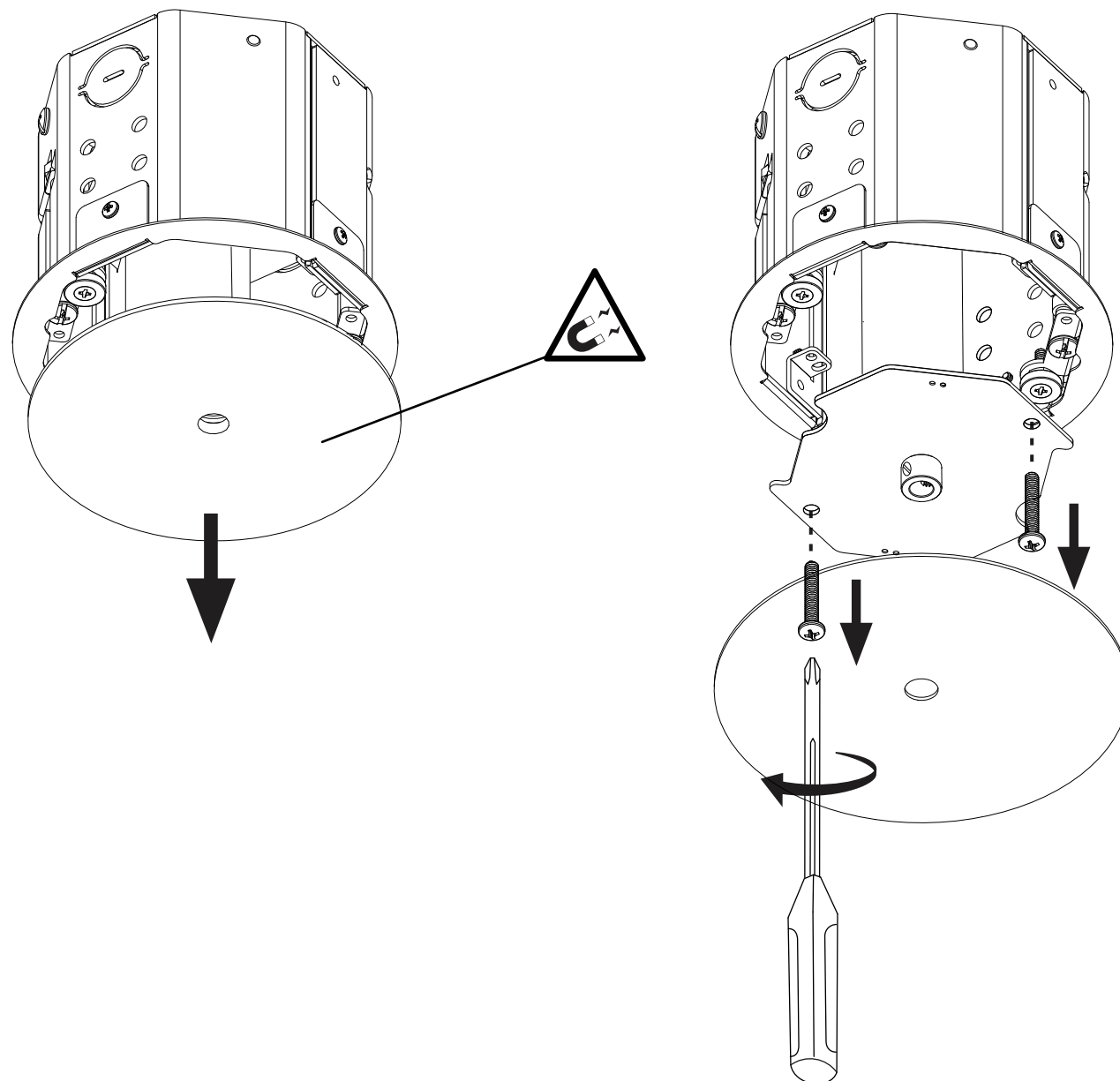


**This is an example of the Mile 01.
However, the Mile 02 and 03 follow
the same installation process.**

1

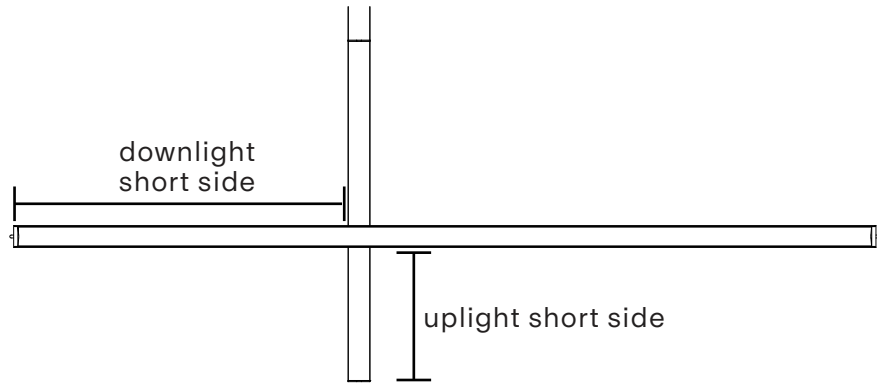
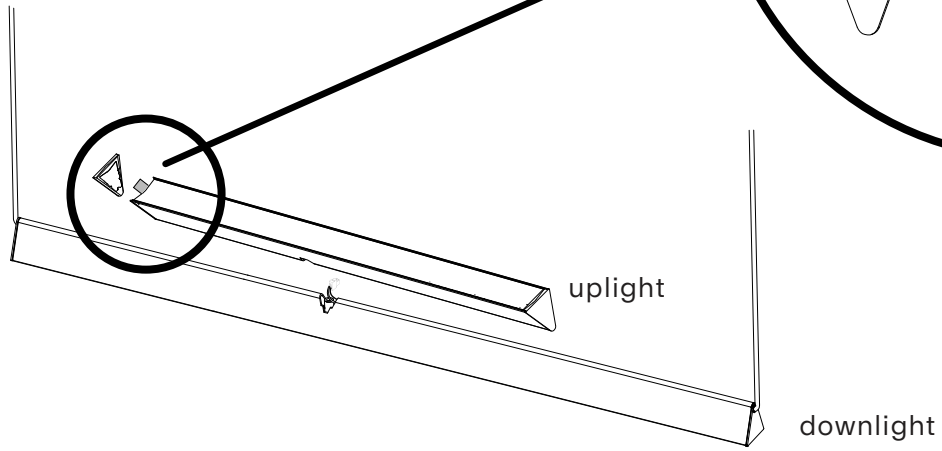
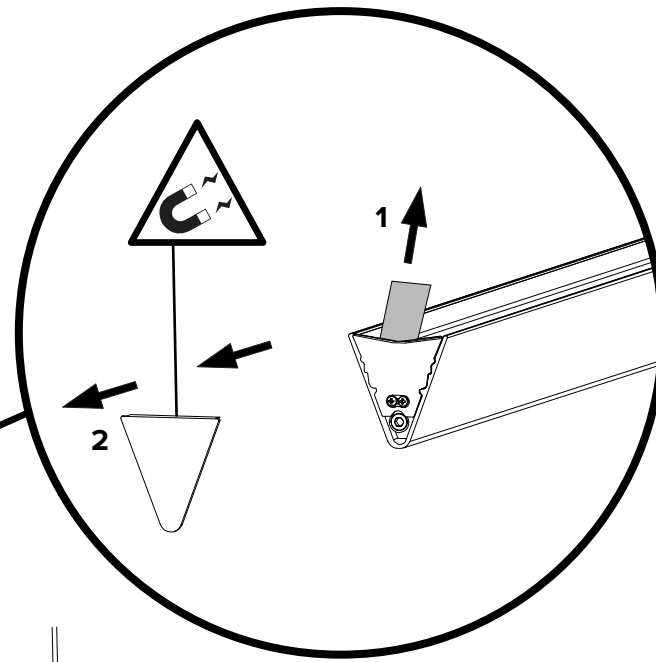
Remove Octobox cover plate and strain relief plate. It is held in place by two screws.

Refer to:
Annexe A (phase dimming) - page 15
Annexe B (0-10V) - page 21

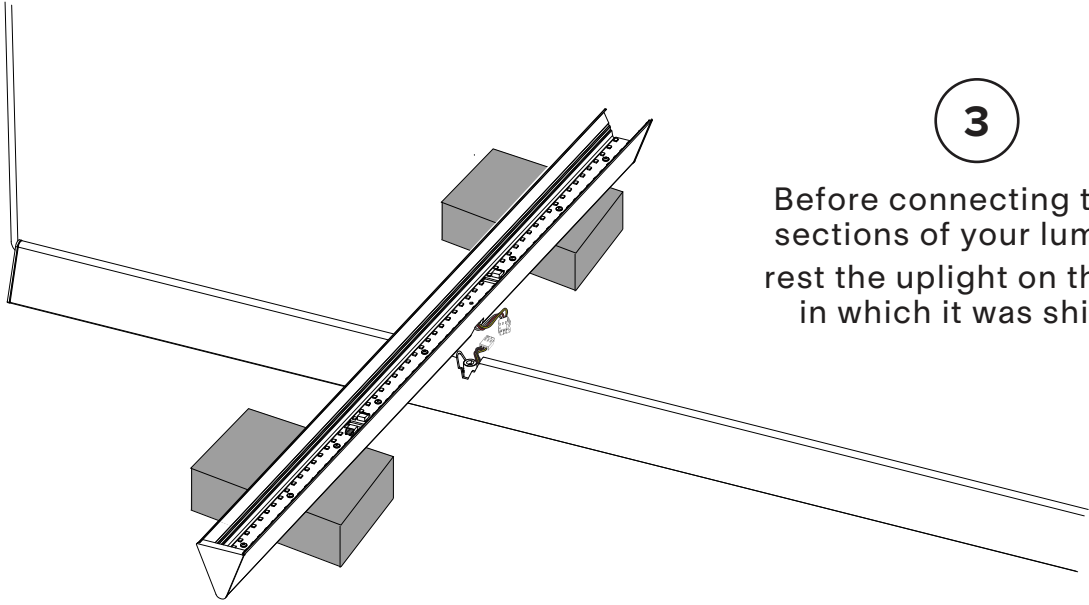


2

Remove endcap on short side of
uplight. It is held in place with a magnet.
Pull tape up to remove lens
then remove tape.

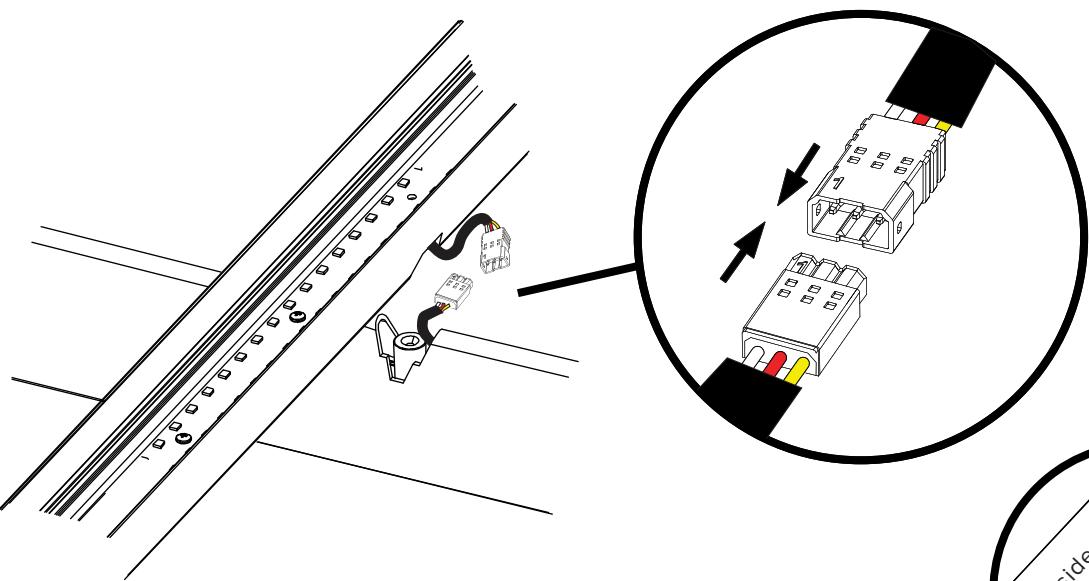


**Becareful when removing endcap that
it does not stick to other surfaces which
could result in scratches in the paint.**



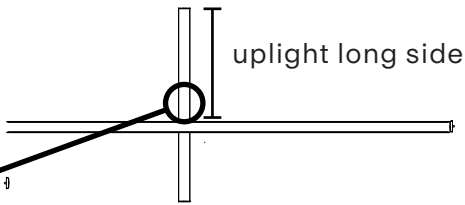
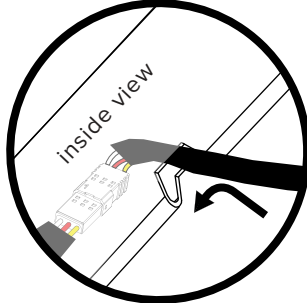
3

Before connecting the two sections of your luminaire, rest the upright on the foam in which it was shipped.



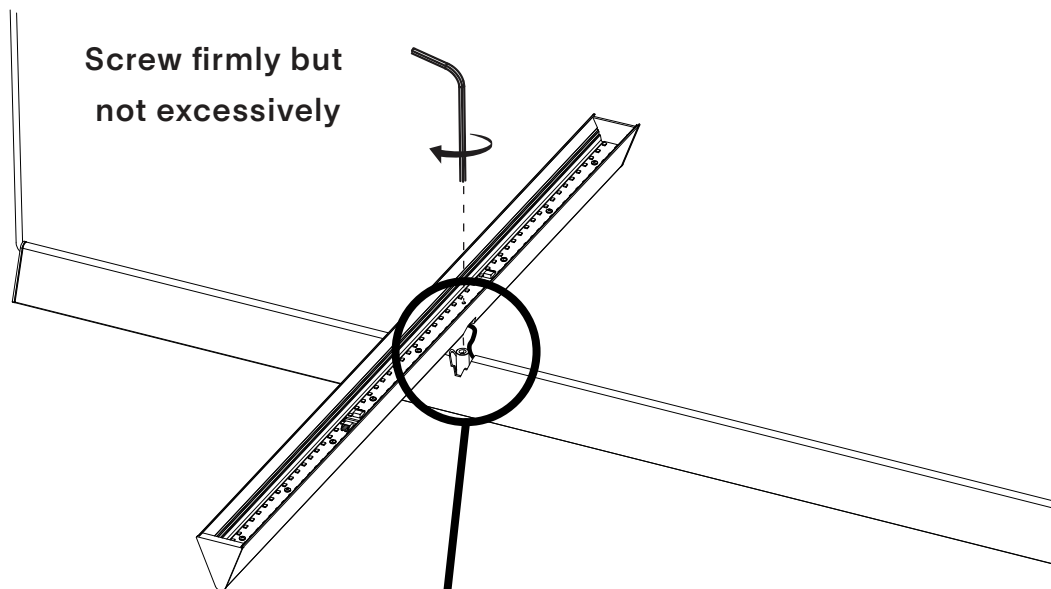
4

Make the connection between the two sections. Then carefully push them back into the upright long side.



5

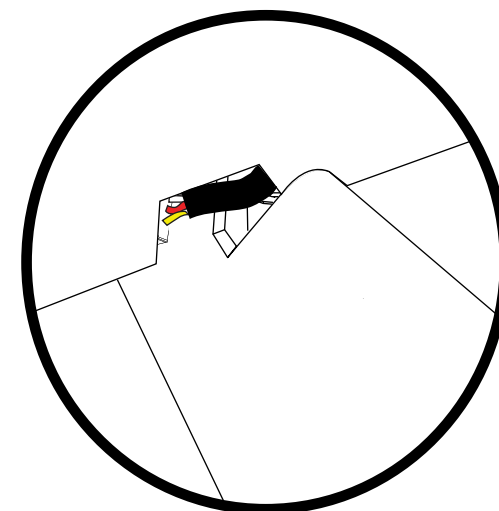
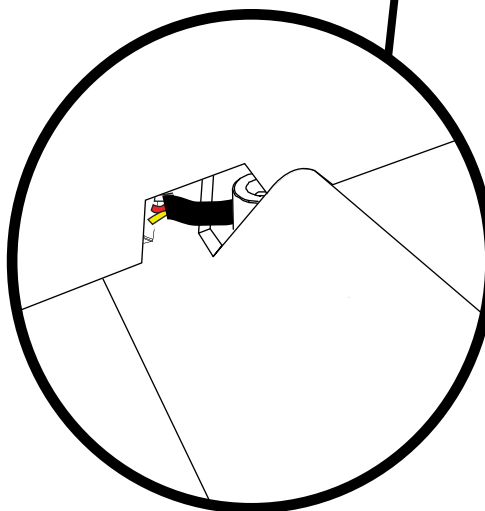
Reorientate upright into the slot of the downlight.
Screw it into place with provided allen key.



X

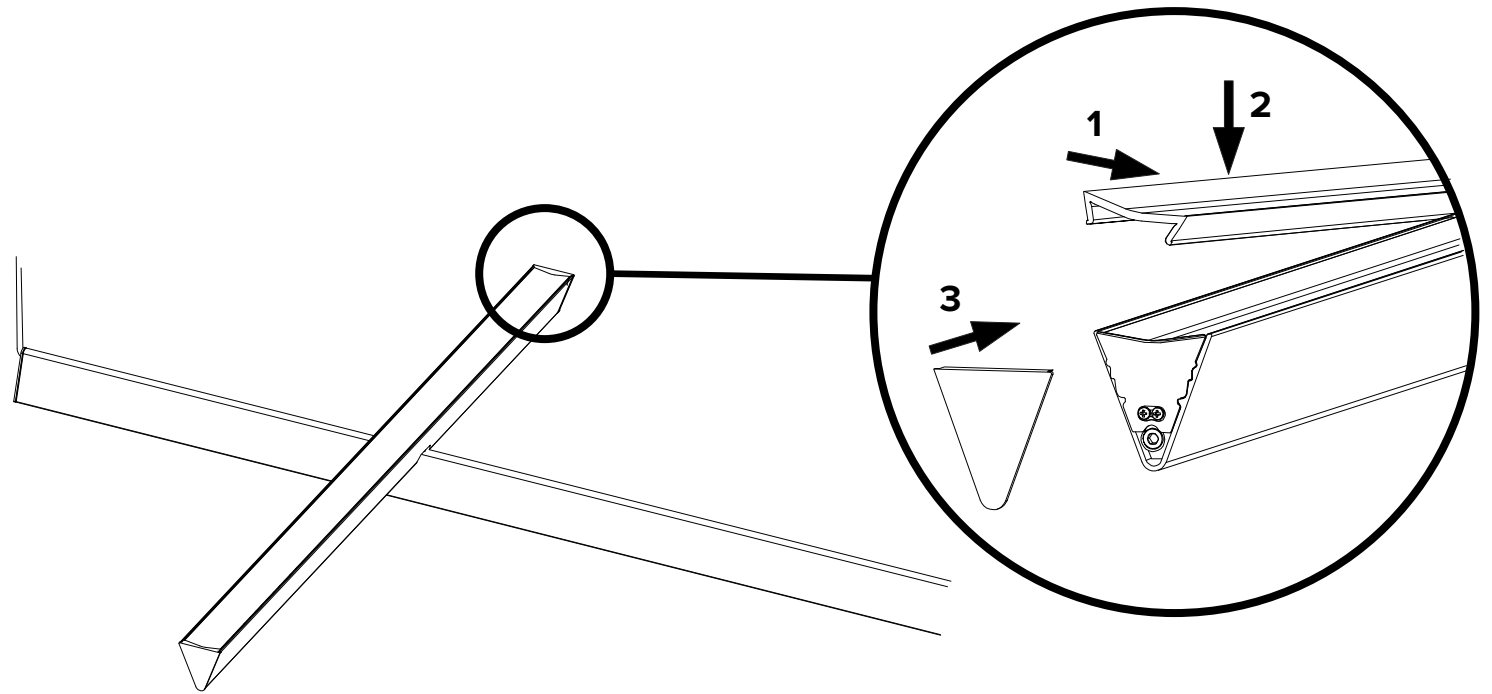


While you bring the two extrusions together ensure to place the downlight wires next to the anchor. Make sure the wire does not sit on top of the anchor and that it does not get pinched or scuffed.



6

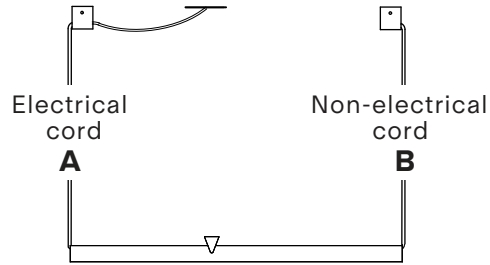
Slide lens into opposite endcap (1)
then snap lens back into slots (2).
Replace endcap (3).



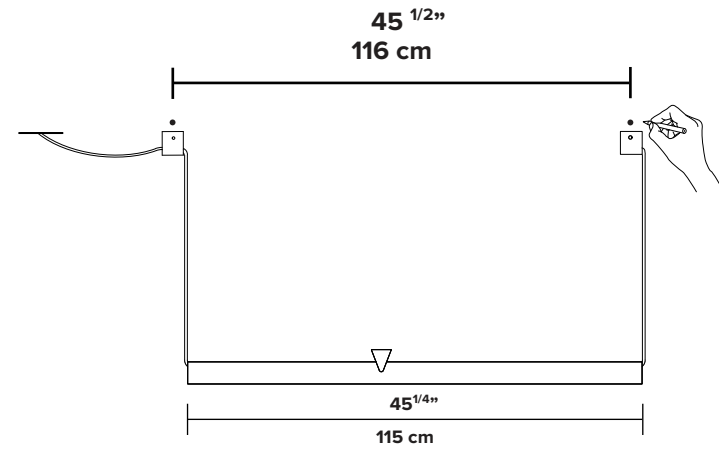
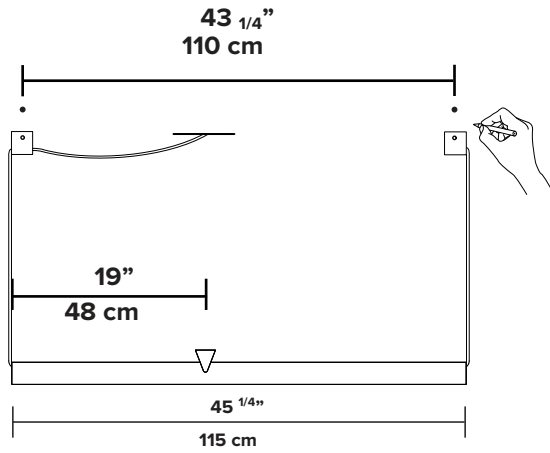
7

Mark anchor locations

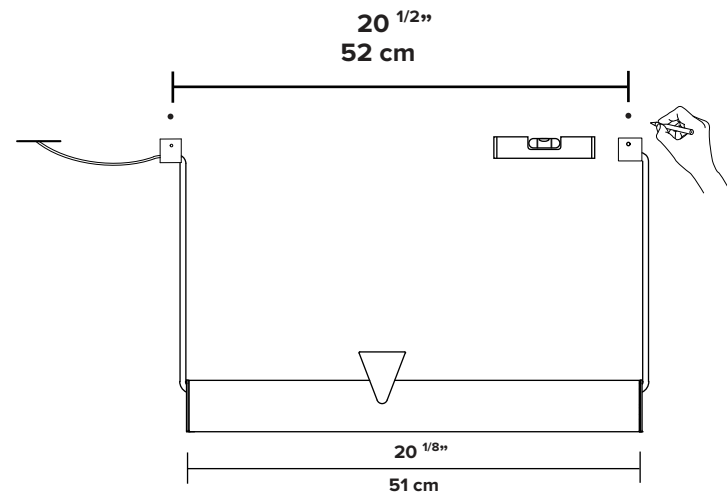
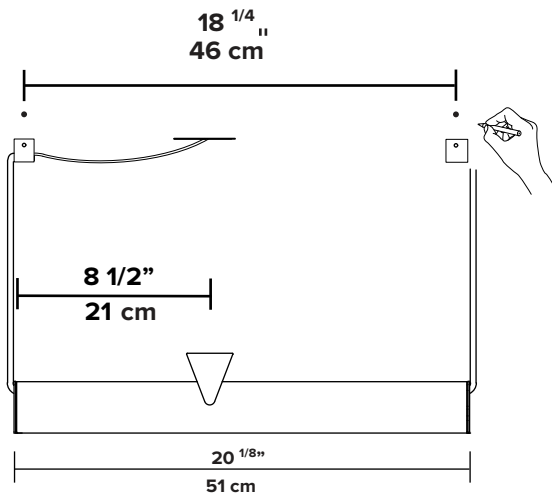
Be sure all ceiling holes are aligned.
We recommend you mount luminaire with
uplight aligned with junction box.



MILE 01
&
MILE 03



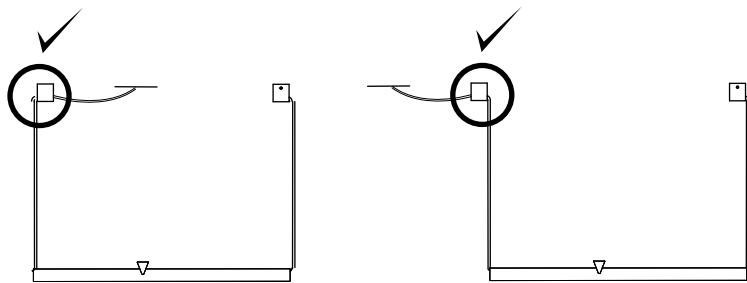
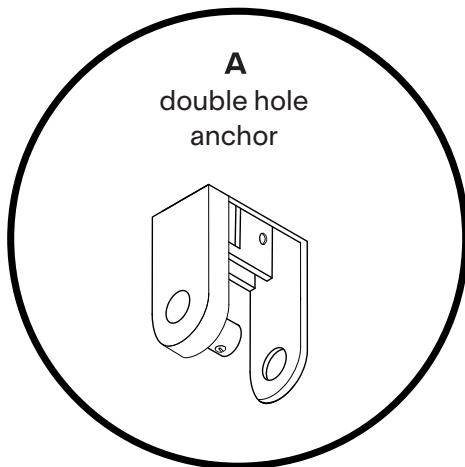
MILE 02



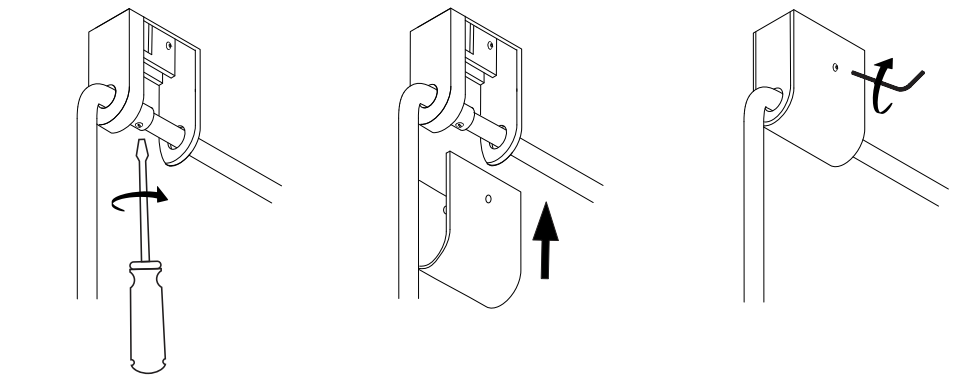
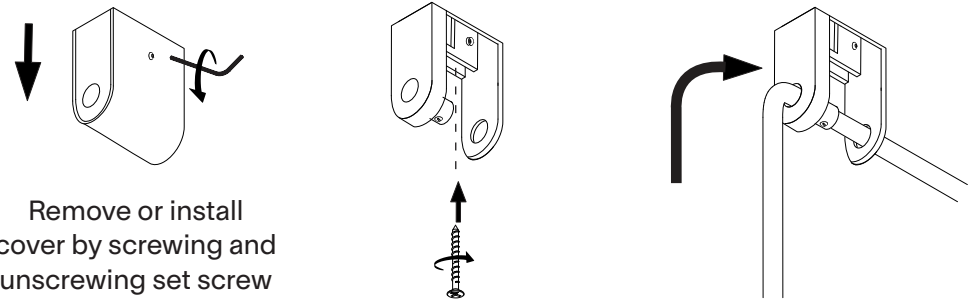
8

Mount double hole anchor
with electrical cord

Pull wires to straighten them
before mounting them.



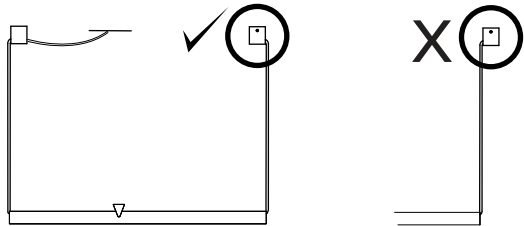
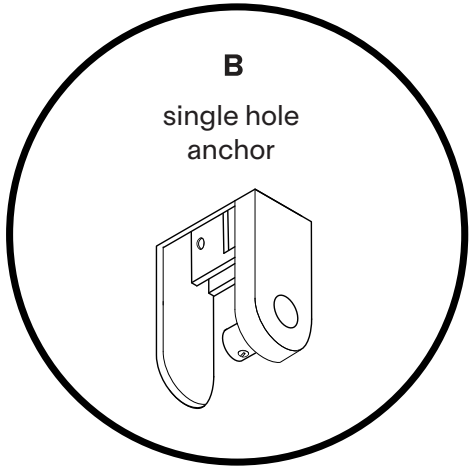
Make sure to use appropriate
anchors for ceiling material




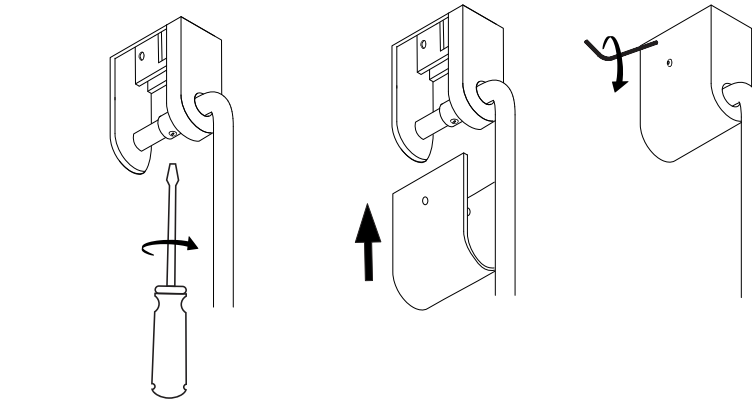
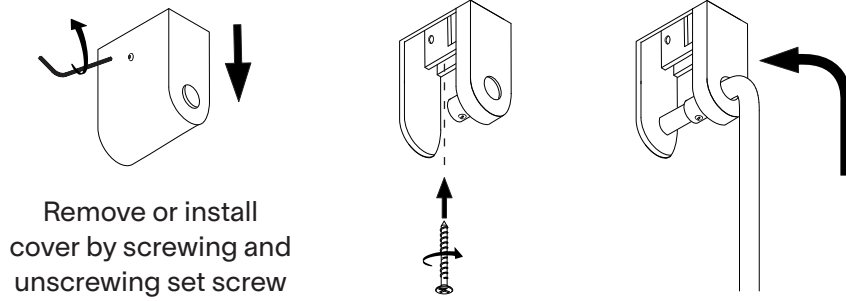
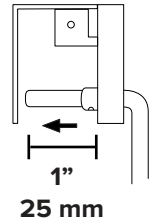
9

Mount single hole anchor with non-electrical cord

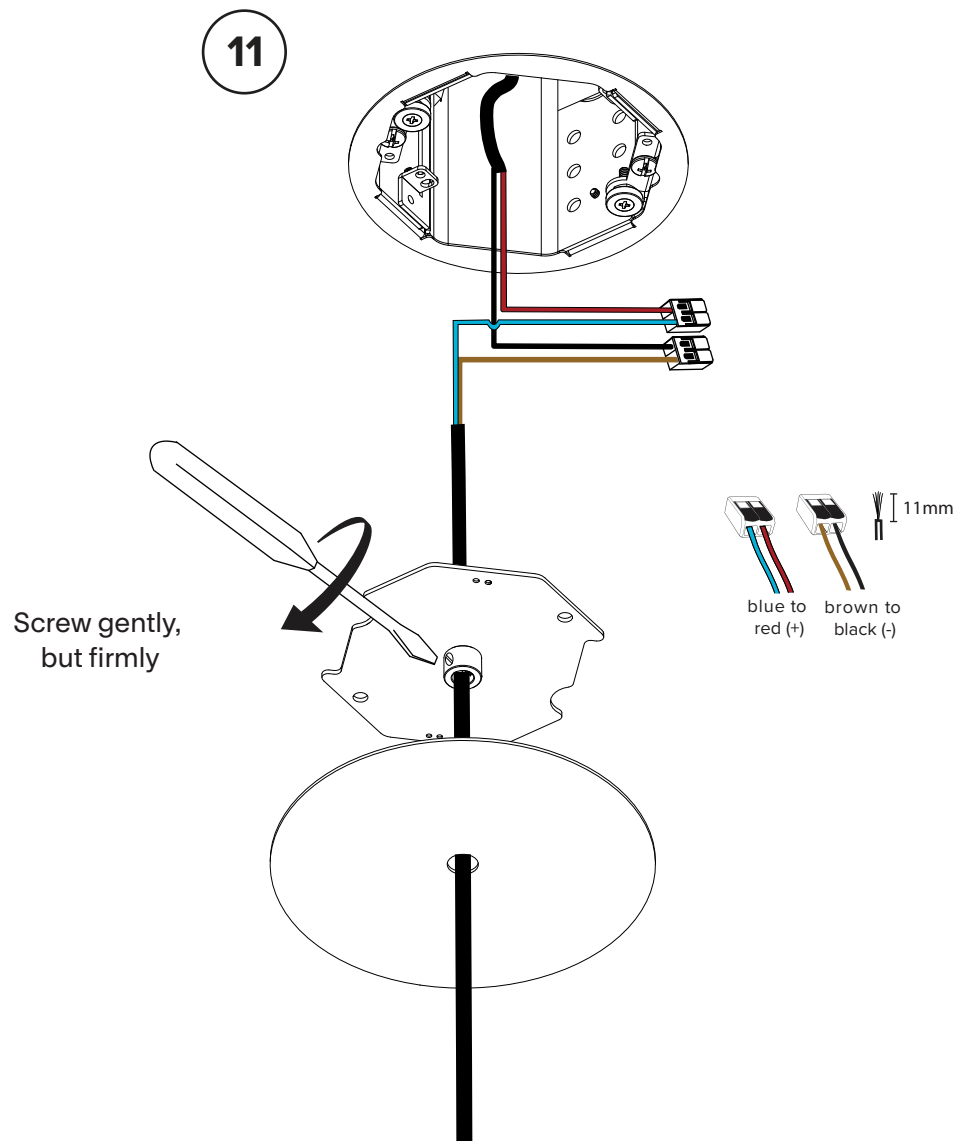
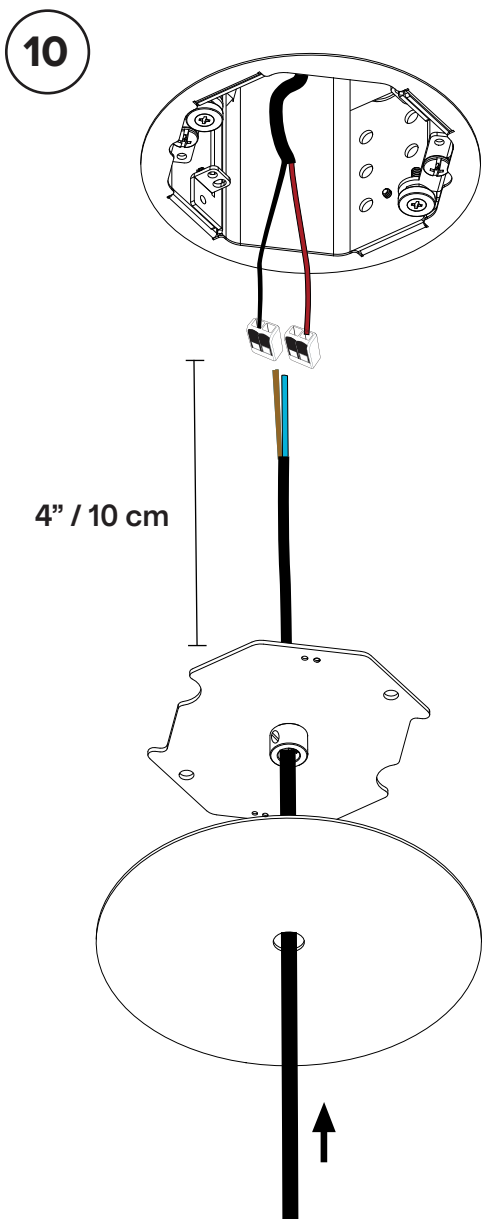
Pull wires to straighten them before mounting them.



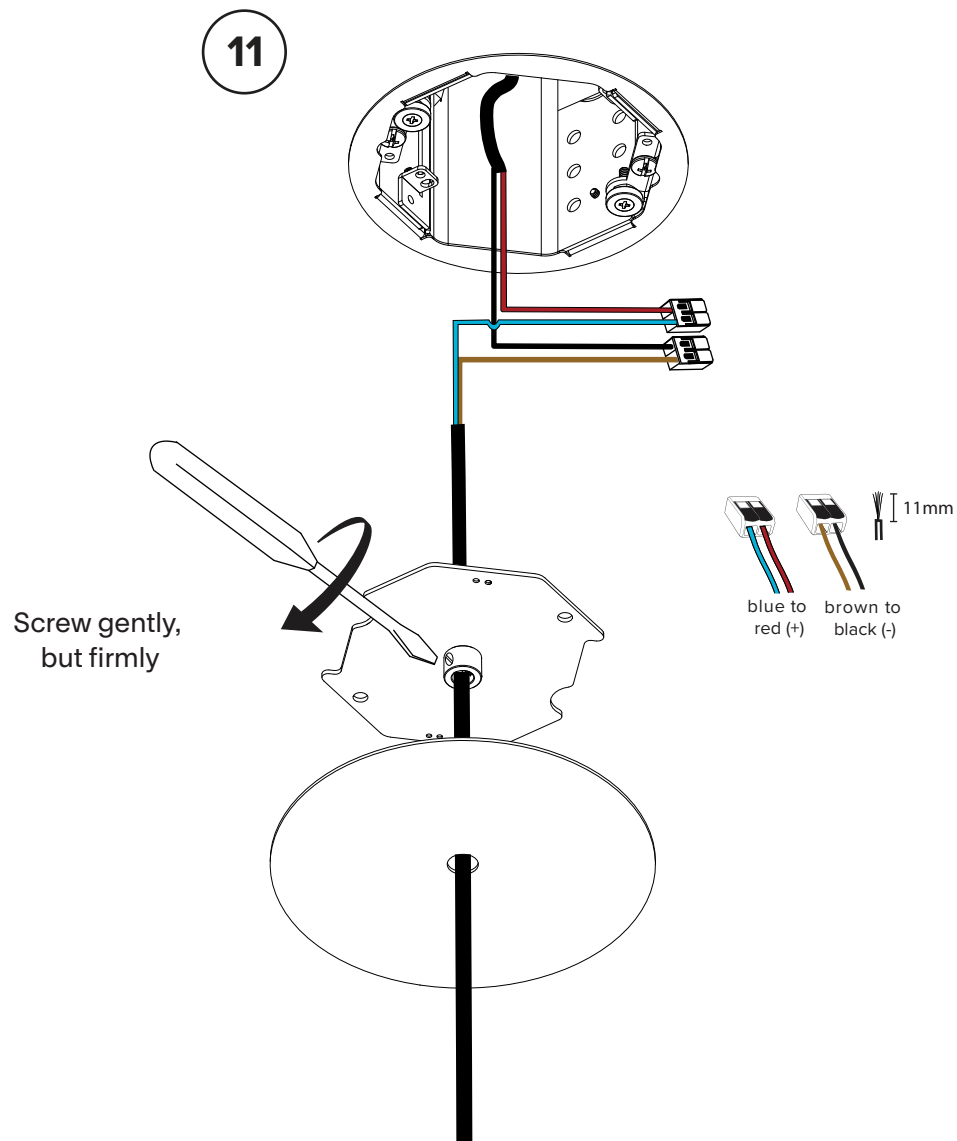
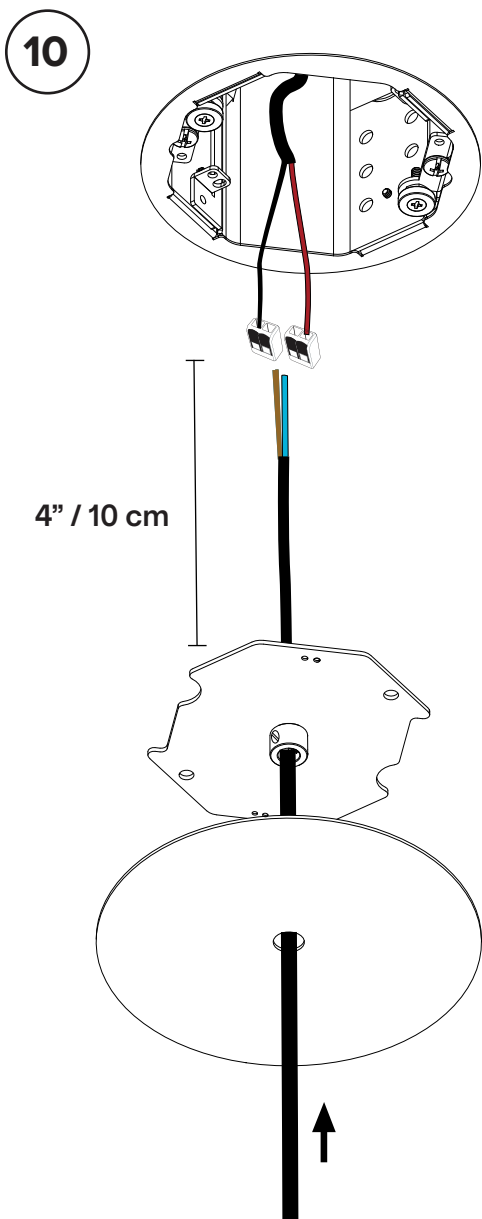
 Make sure to use appropriate anchors for ceiling material



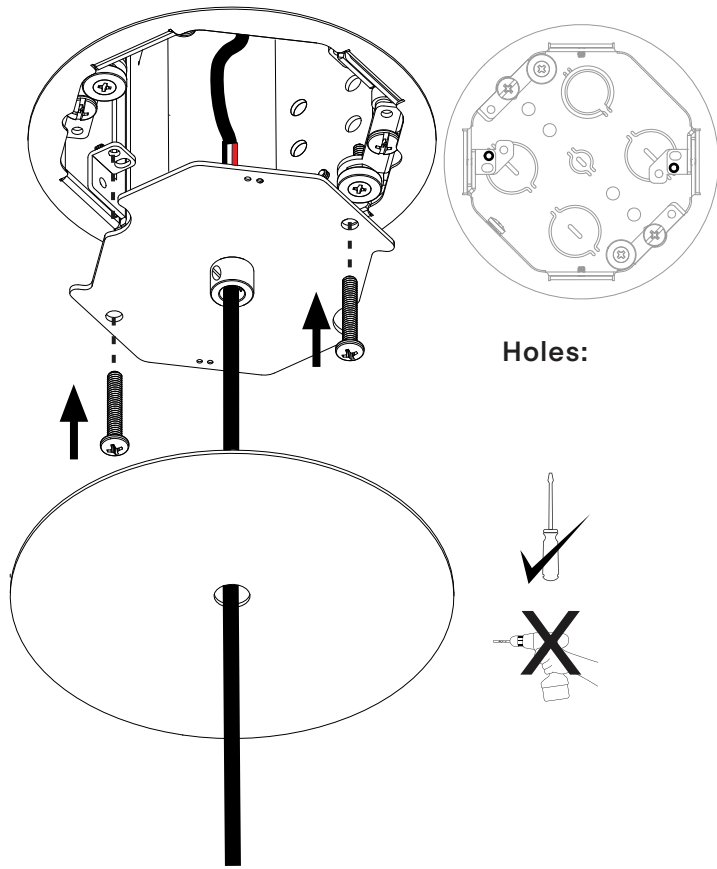
Steps to be completed AFTER steps
in recessed canopy annex



Steps to be completed AFTER steps
in recessed canopy annex



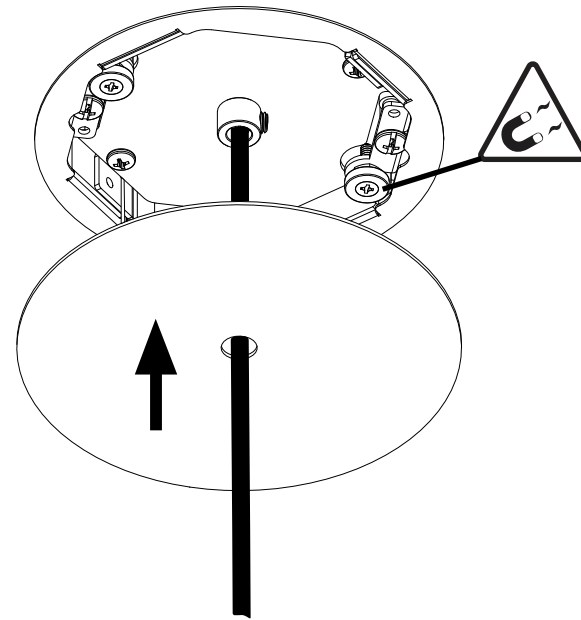
12



Holes:



13



Make sure cover plate is centered on the junction box

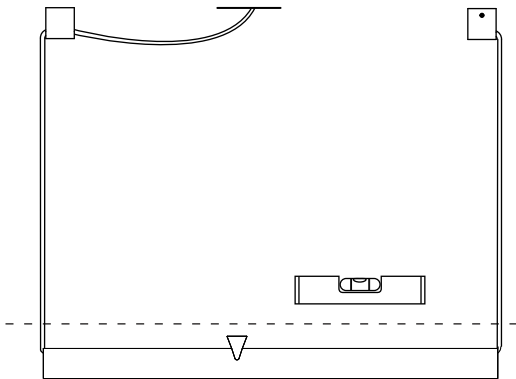
Levelling the luminaire



Before adjusting wire length or interior weight, carefully attempt to balance the luminaire by hand. The wire's flex can allow micro adjustments of their own.

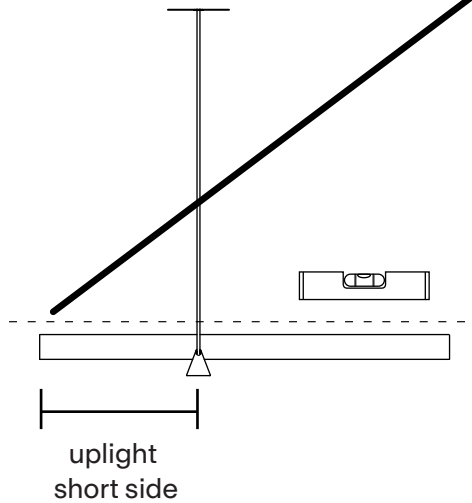
14

If necessary level downlight by adjusting length of wires

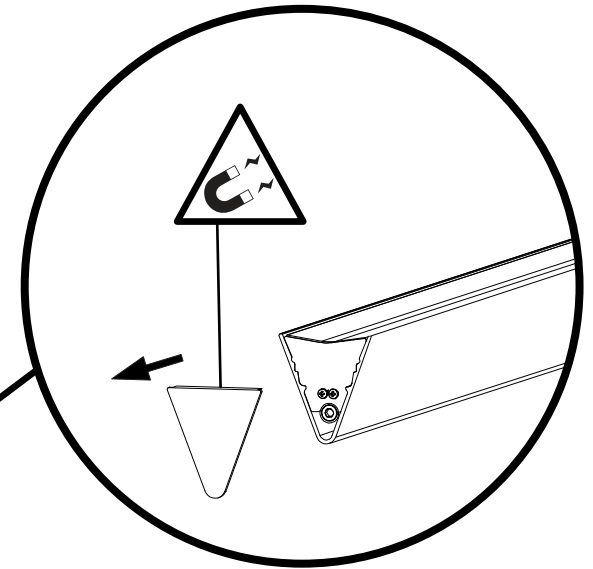


15

Should upright adjustments be needed, remove endcap on short side arm



Endcap is held in place with a magnet



Be careful when removing endcap that it does not stick to other surfaces which could result in scratches in the paint.

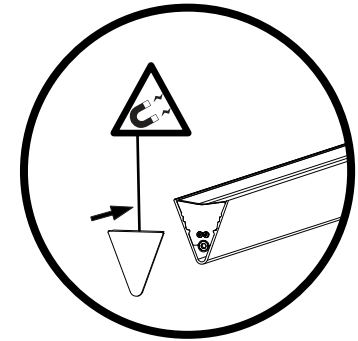
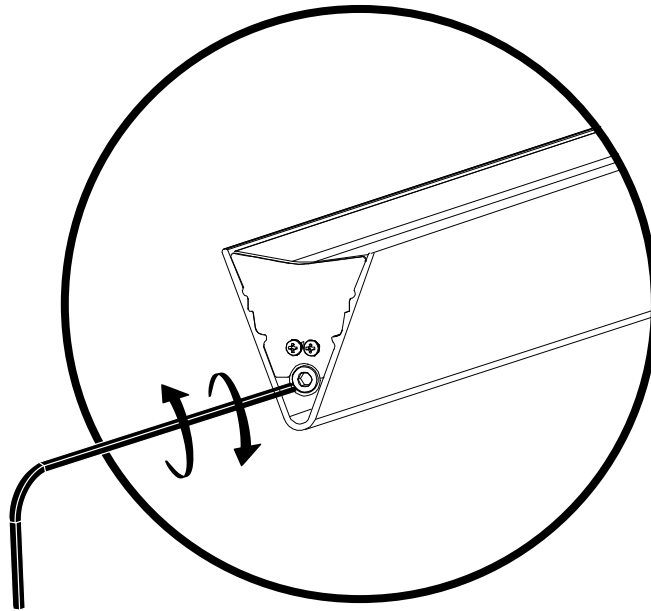
16

The adjustment screw holding the balance weight is now visible. Use provided allen key to screw weight in or out depending on balance.



Note that the endcap affects final balance of the luminaire!

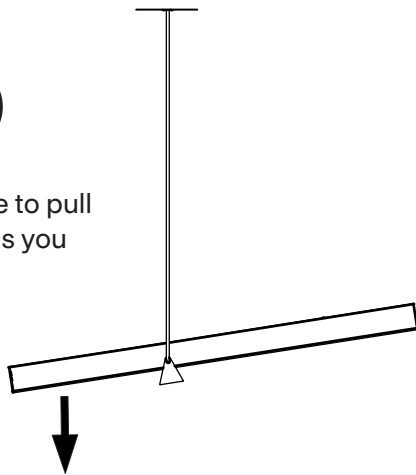
Luminaire will not appear balanced until the cap is in place.



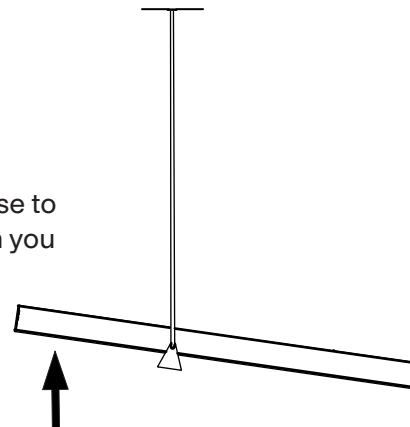
Replace endcap when adjustments are complete



Screw clockwise to pull weight towards you



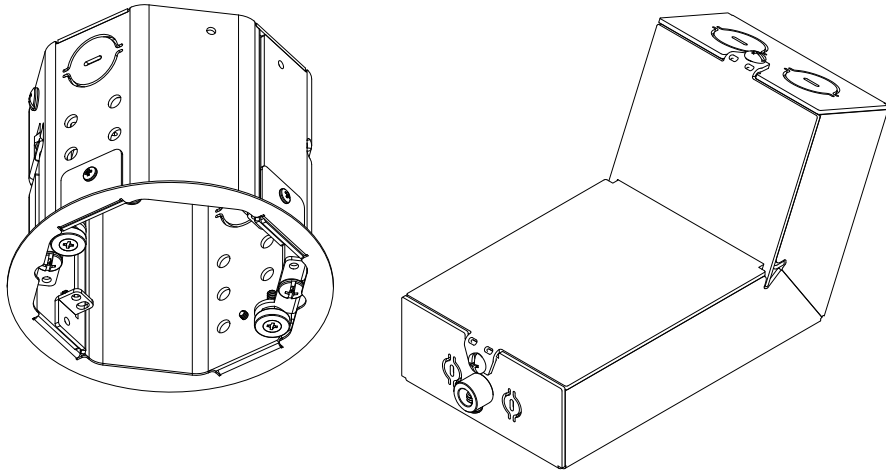
Screw counter-clockwise to push weight away from you




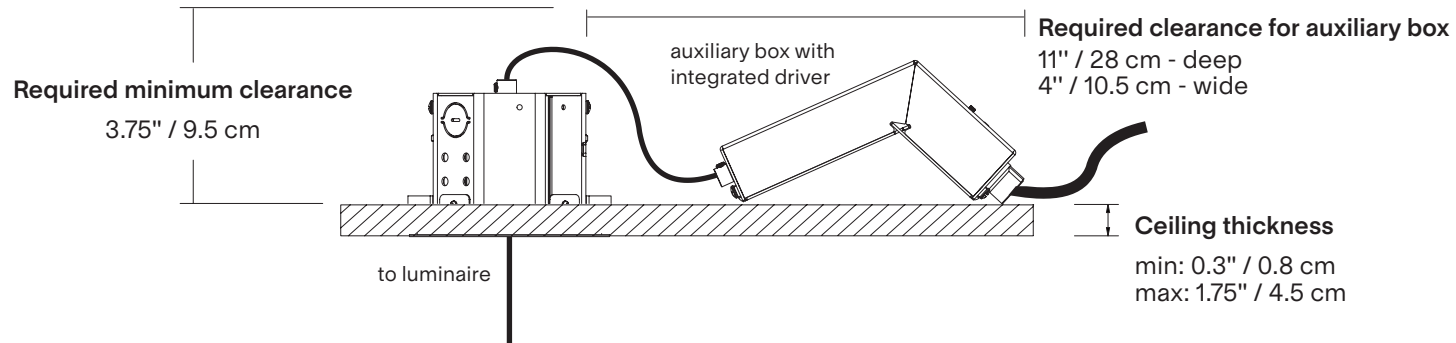
Readjustments may be required as your luminaire settles and the wires flex

RECESSED CANOPY ANNEX A

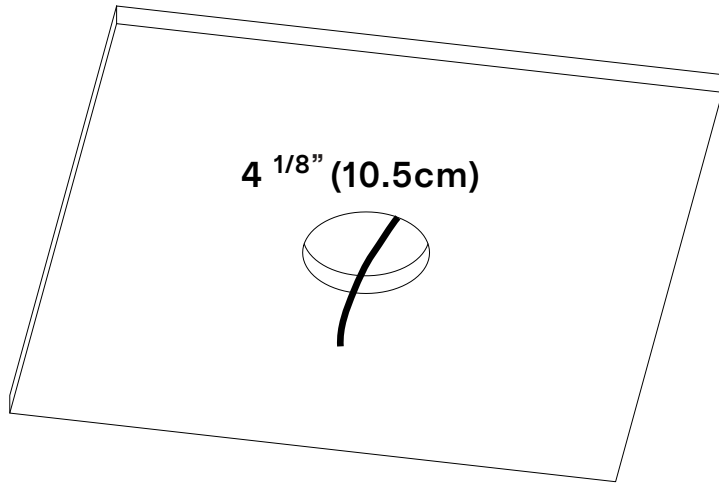
Octobox with auxiliary box (phase and 0+10V dimming) Plenum installation



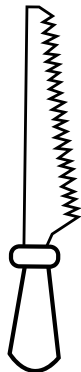
- 
- Please read entire manual before beginning installation
 - To be installed by an electrician
 - Use appropriate screws where necessary
 - For non-insulated hollow ceiling
 - Wires for plenum not provided



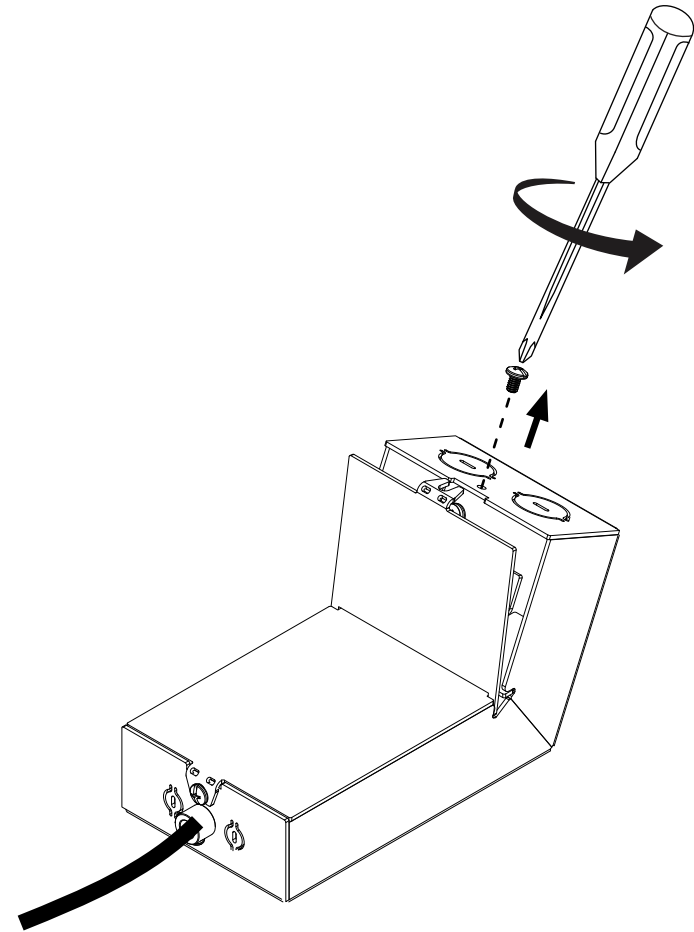
1



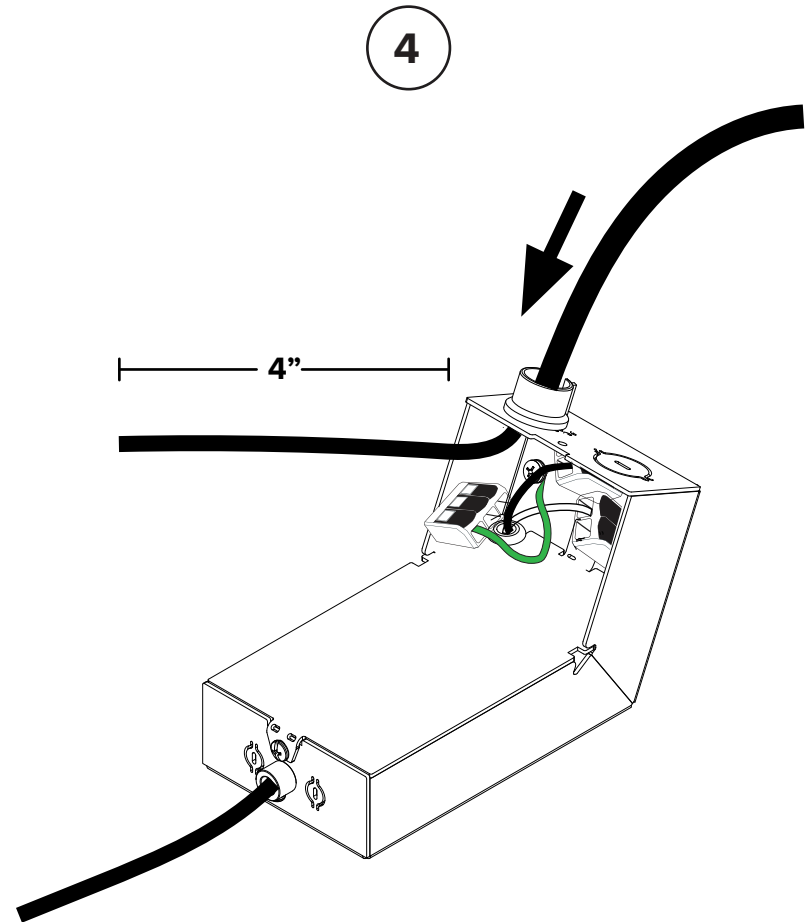
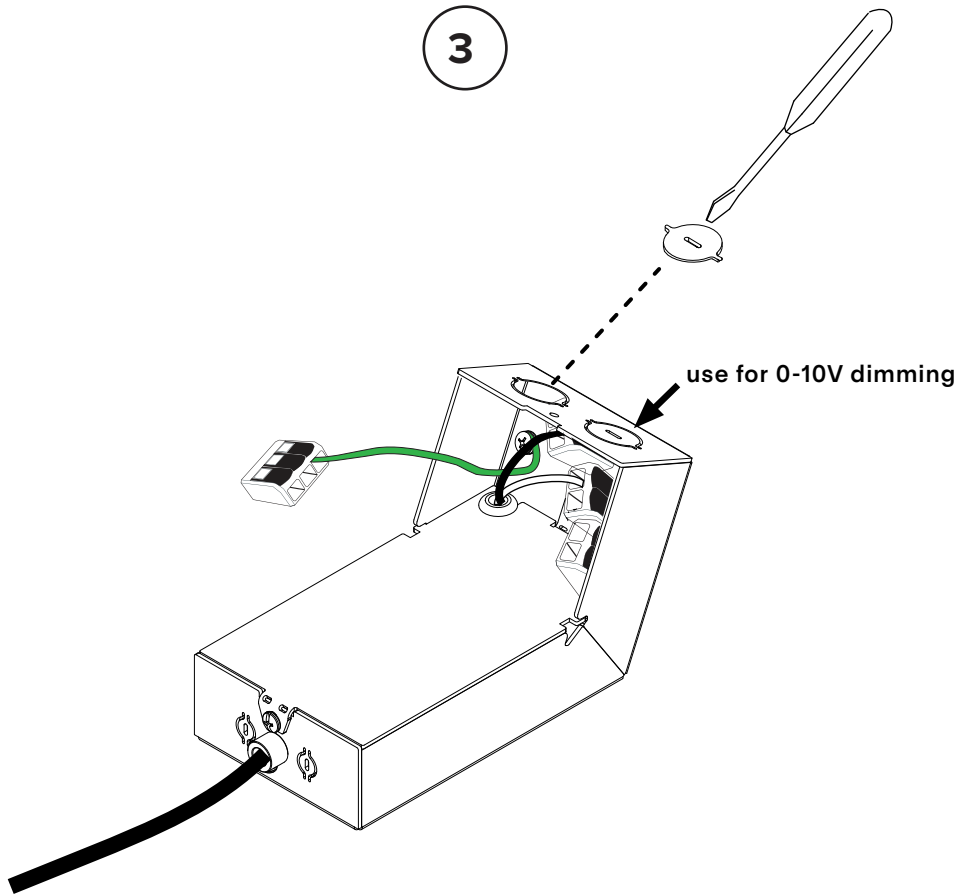
or

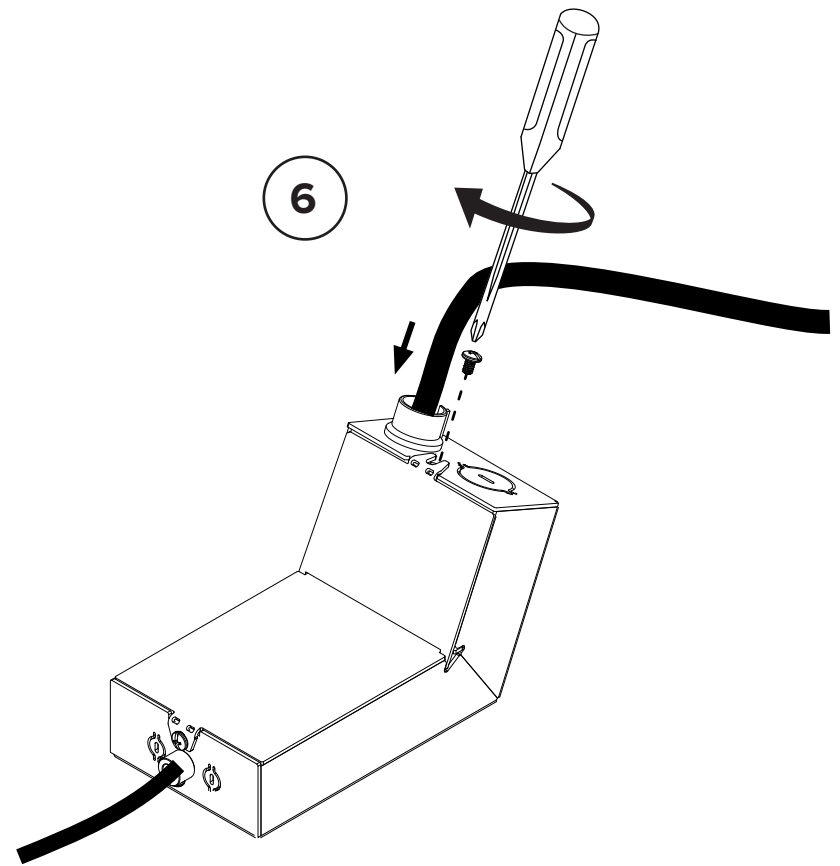
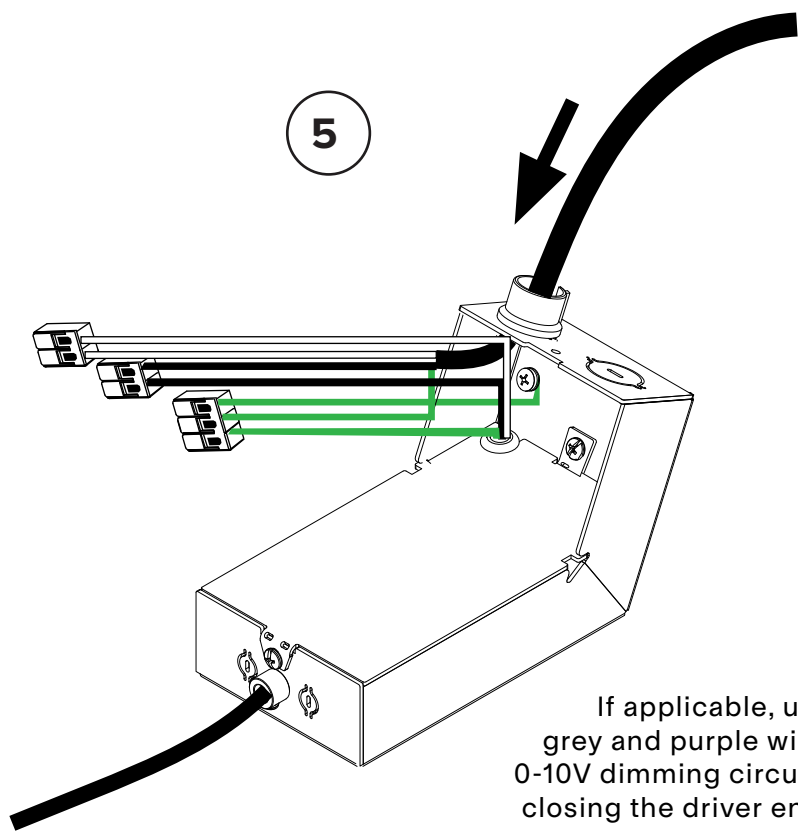


2



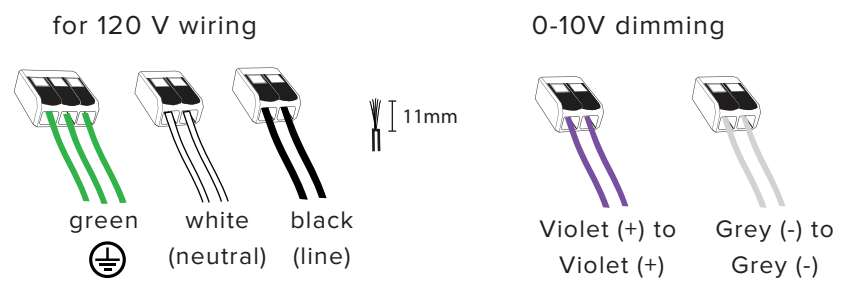
PHASE DIMMING REPRESENTATION



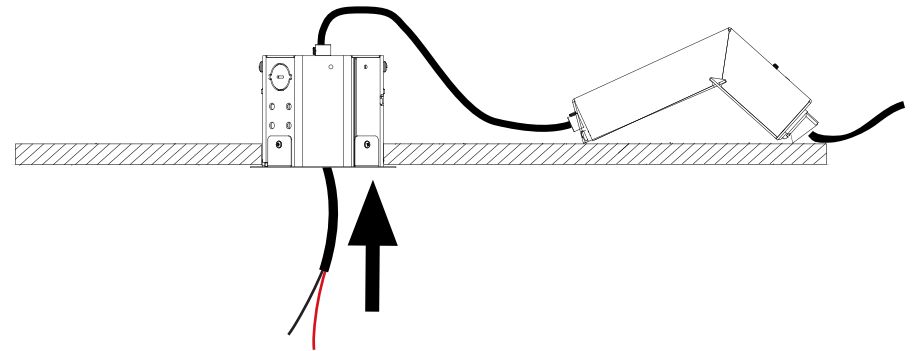
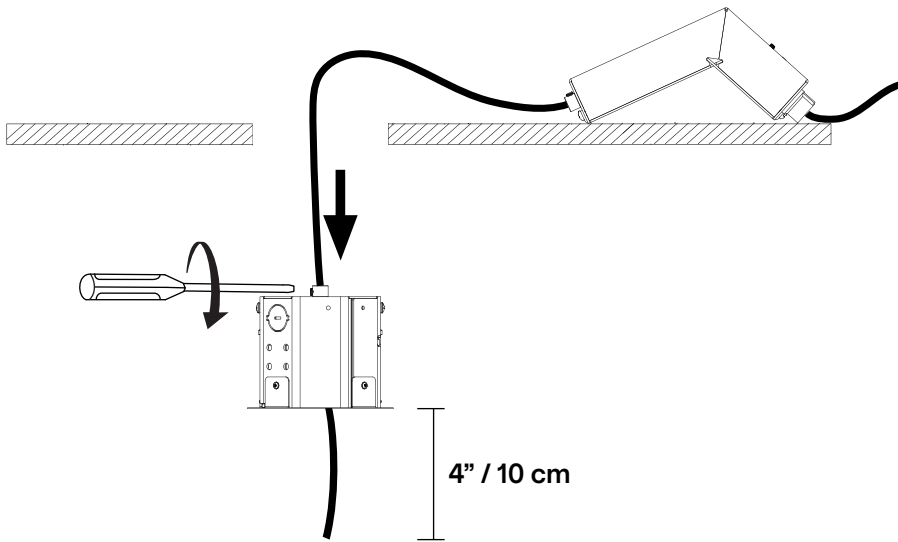
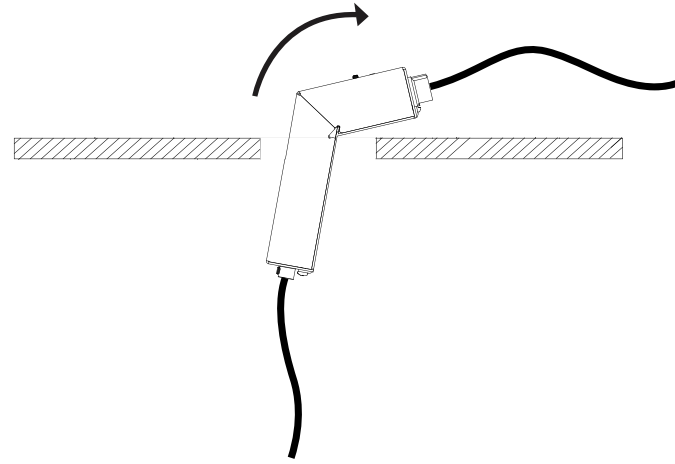
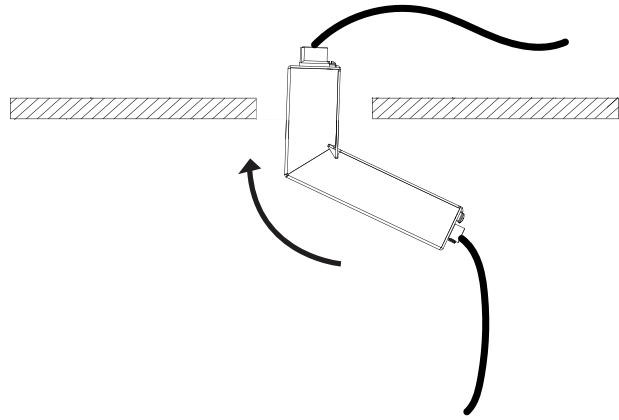


If applicable, use grey and purple wires for 0-10V dimming circuit before closing the driver enclosure.

Cap wires individually if not used.

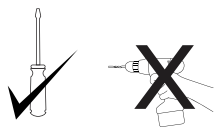
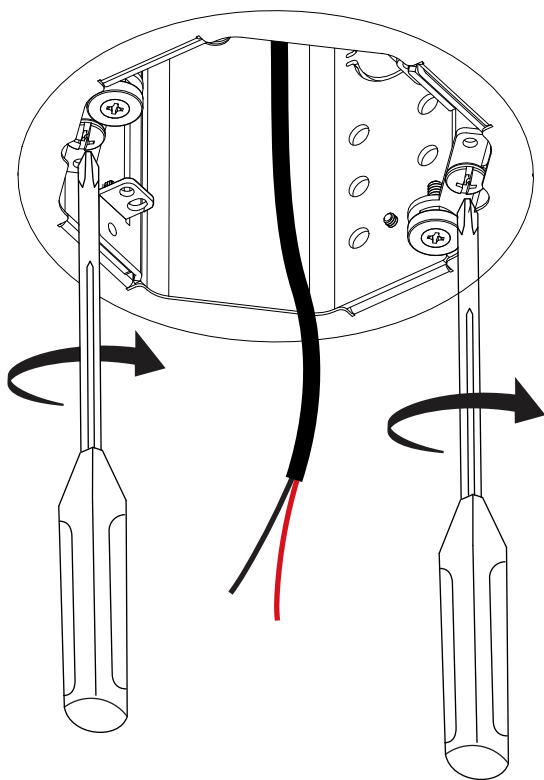


7



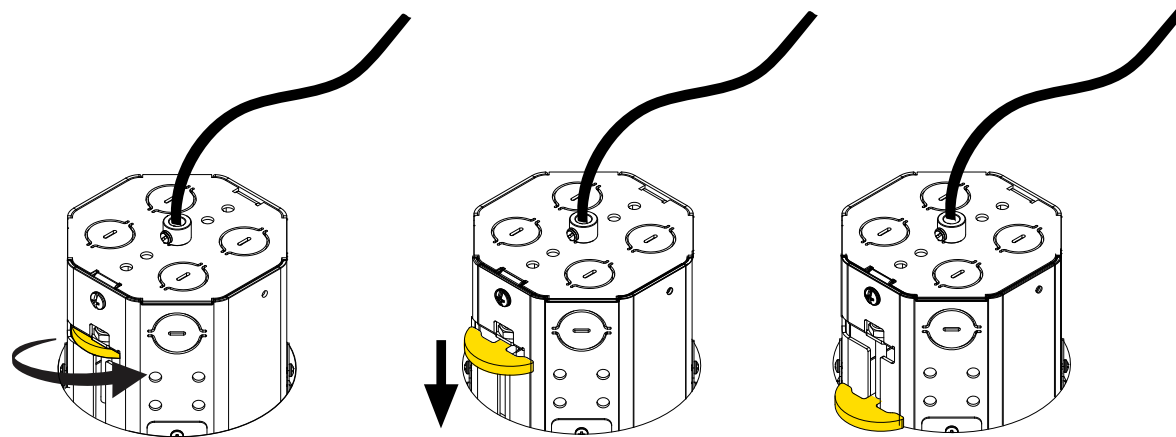
8

View from below

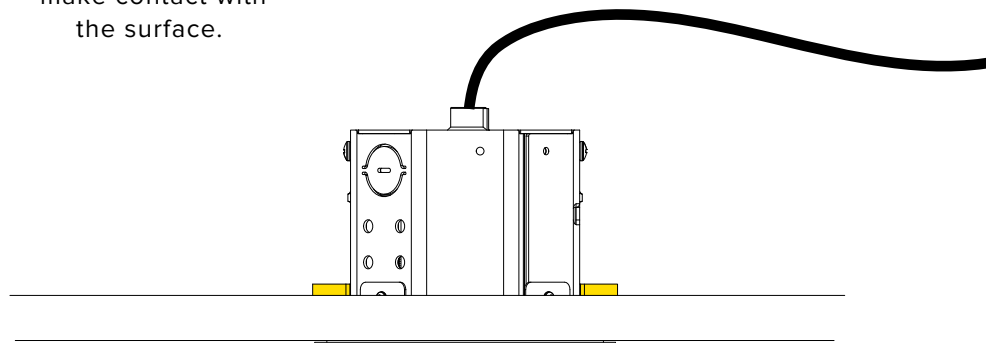


9

View from above



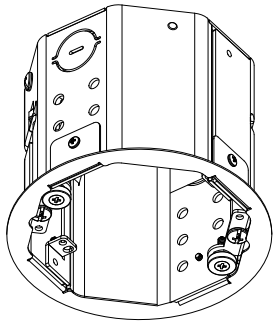
Stop when arms make contact with the surface.



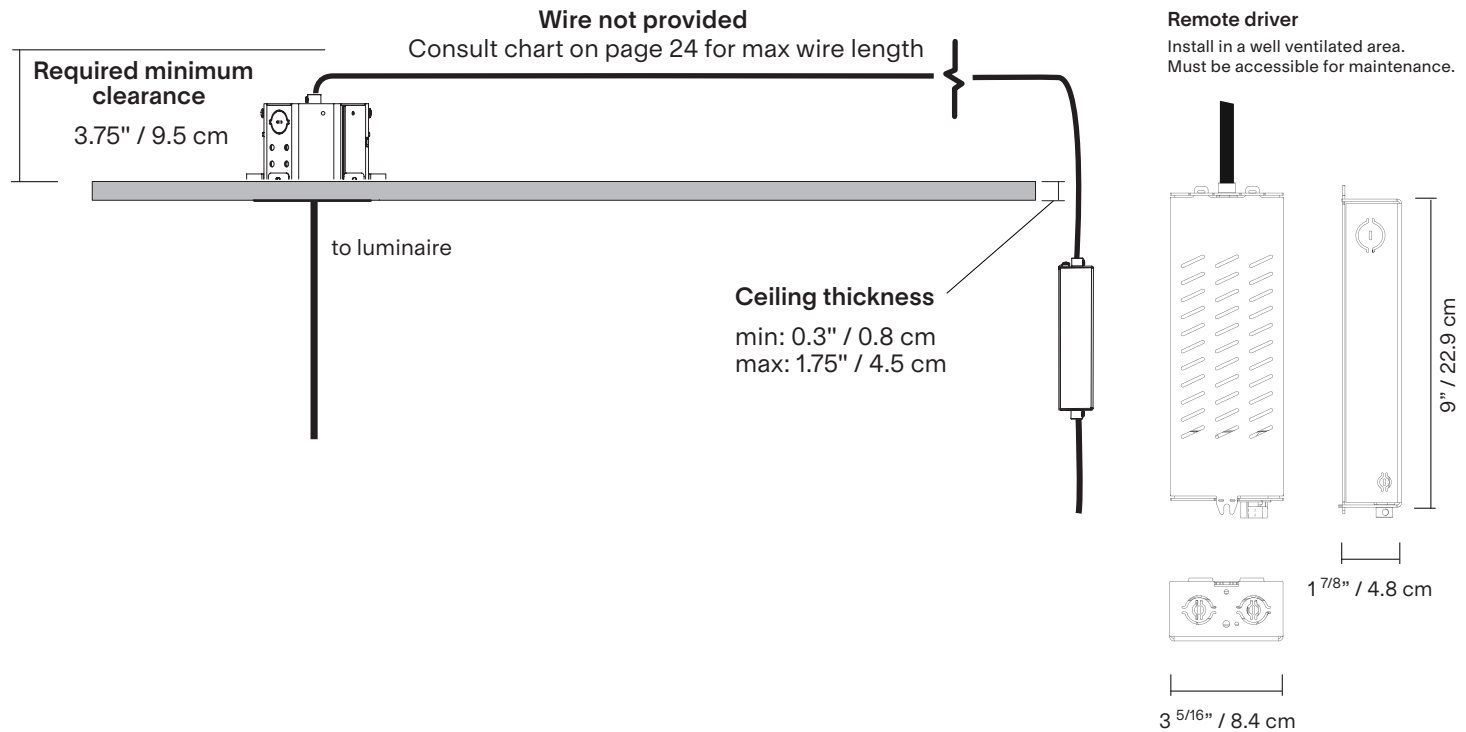
The recessed canopy is now installed, return to luminaire installation steps and follow the instructions (page 3).

RECESSED CANOPY ANNEX B

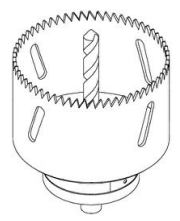
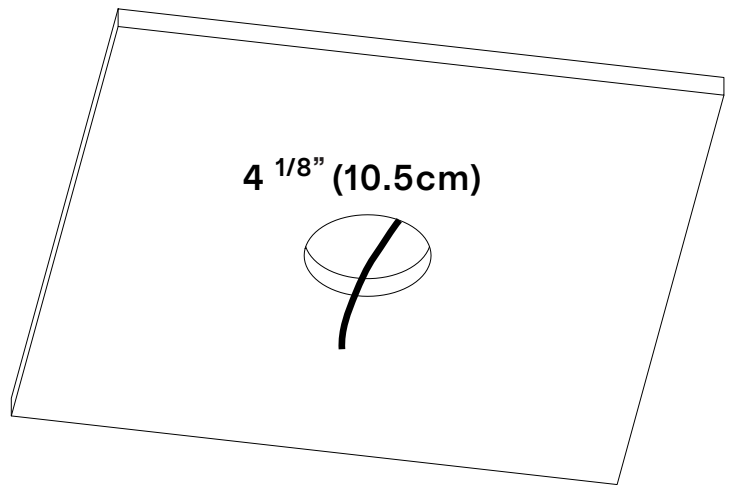
Octobox with remote driver
(phase and 0-10V dimming)
Remote installation



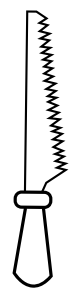
- Please read entire manual before beginning installation
- To be installed by an electrician
- Use appropriate screws where necessary
- For non-insulated hollow ceiling
- Wires for plenum not provided



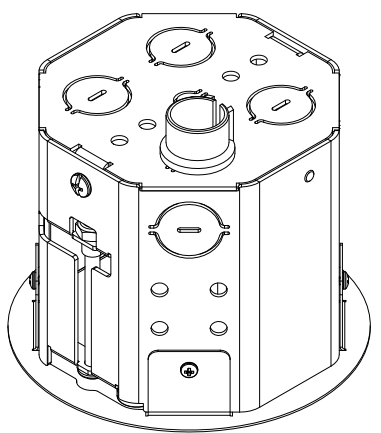
1



or

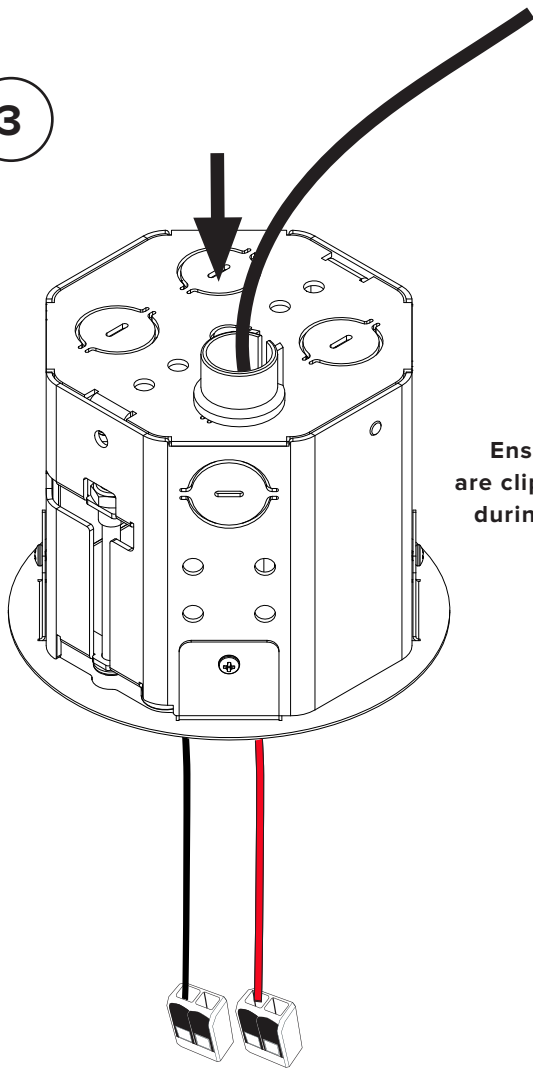


2



Install suitable connectors for your installation (not included)

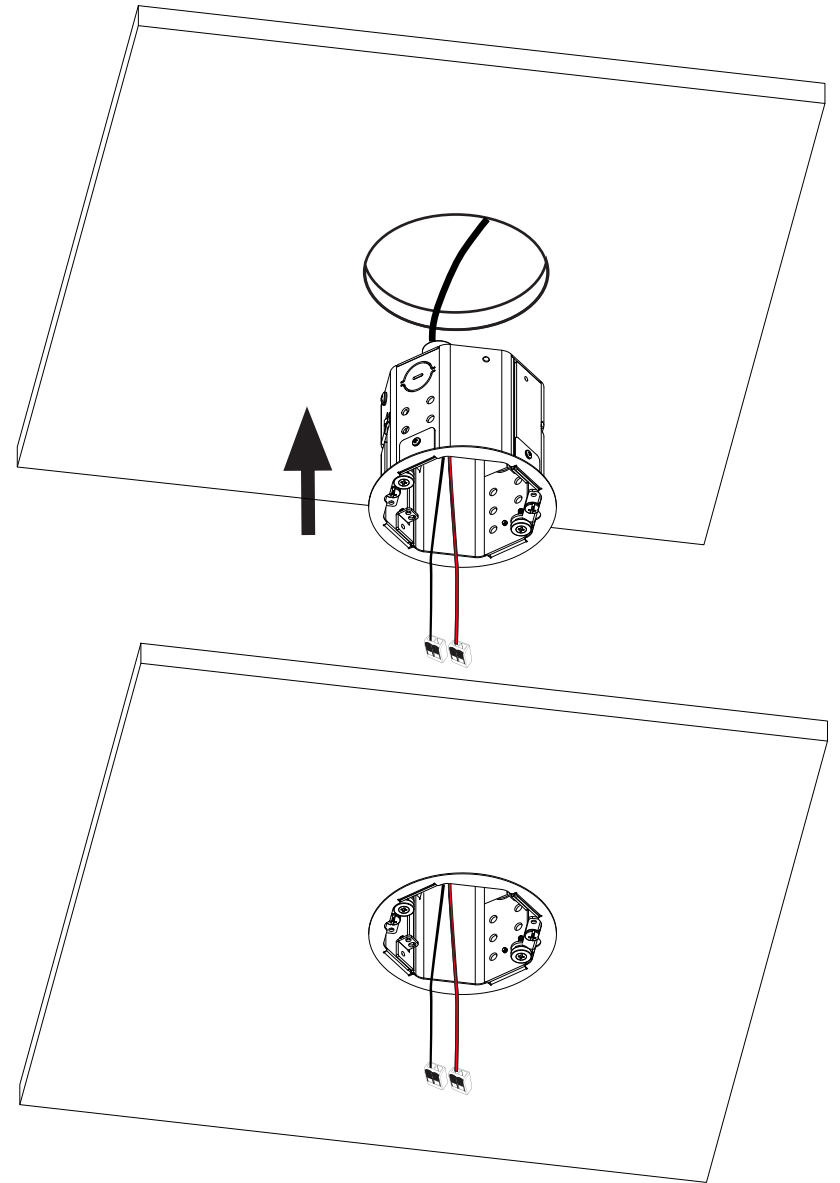
3



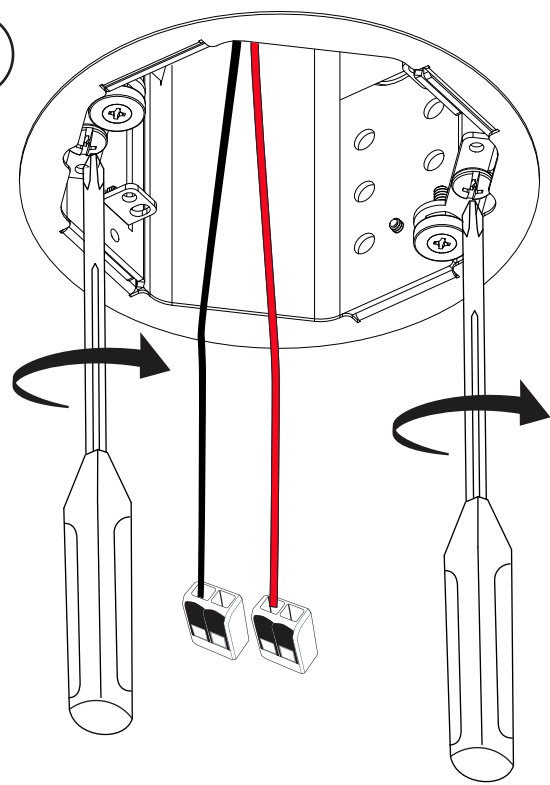
Ensure no wires are clipped or pinched during these steps.

4

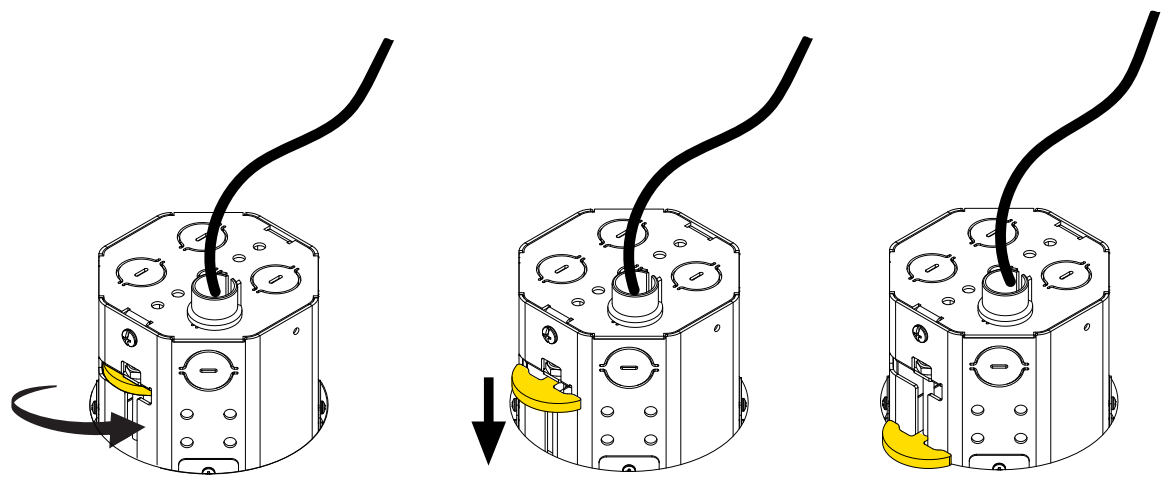
View from below



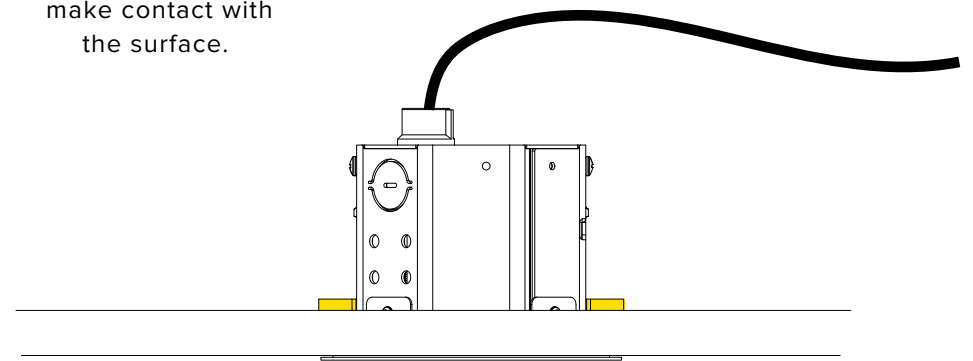
5



View from above



Stop when arms make contact with the surface.

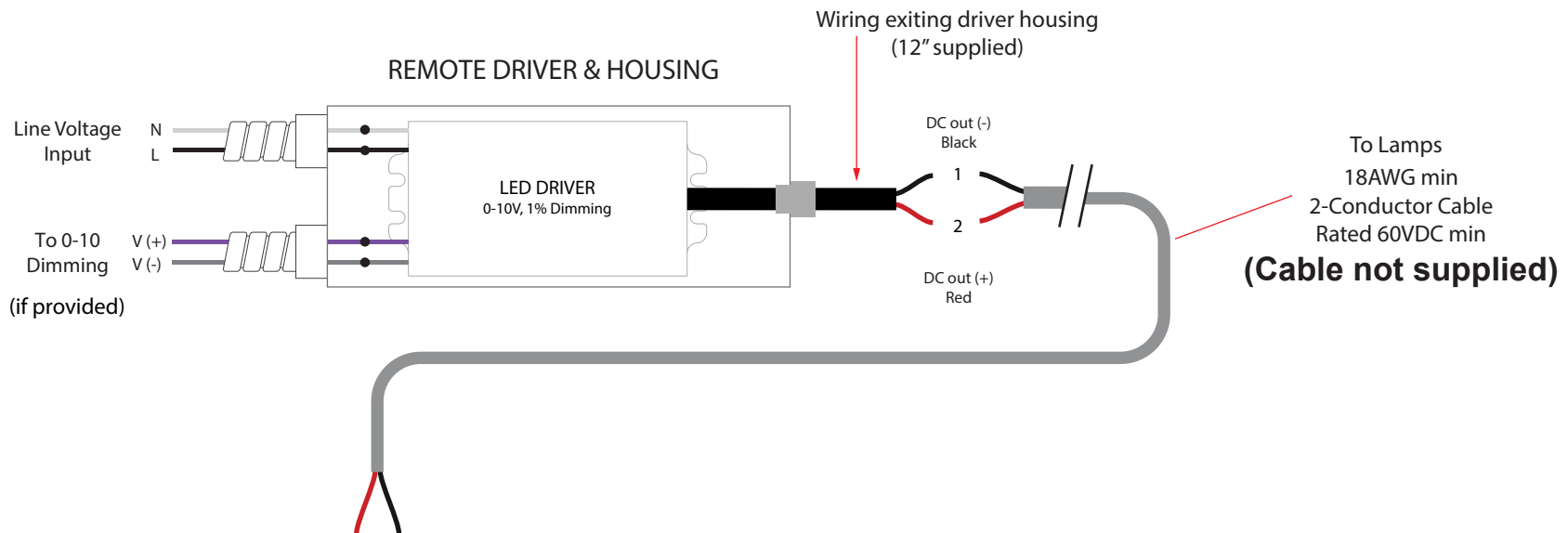
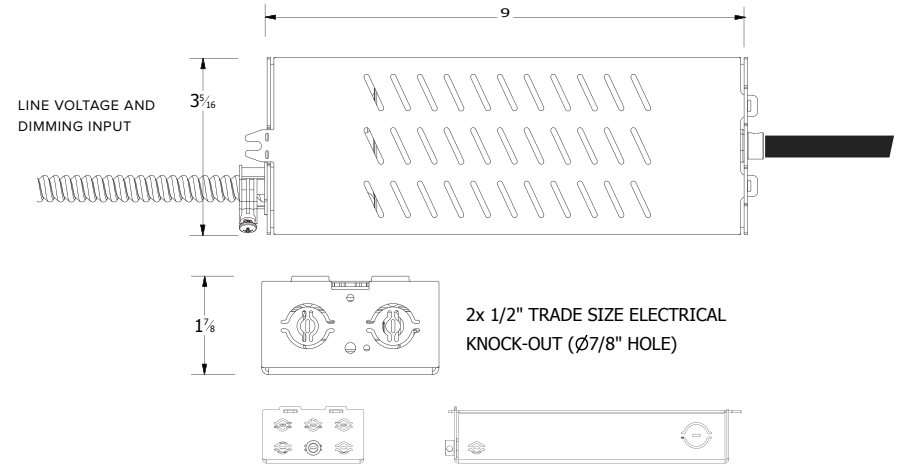


REMOTE DRIVER HOUSING

- Must be accessible for maintenance in a well aerated location for heat dissipation

Remote Wire Gauge and Length Allowance Maximum distance between suspended structure internal wiring and remote driver housing

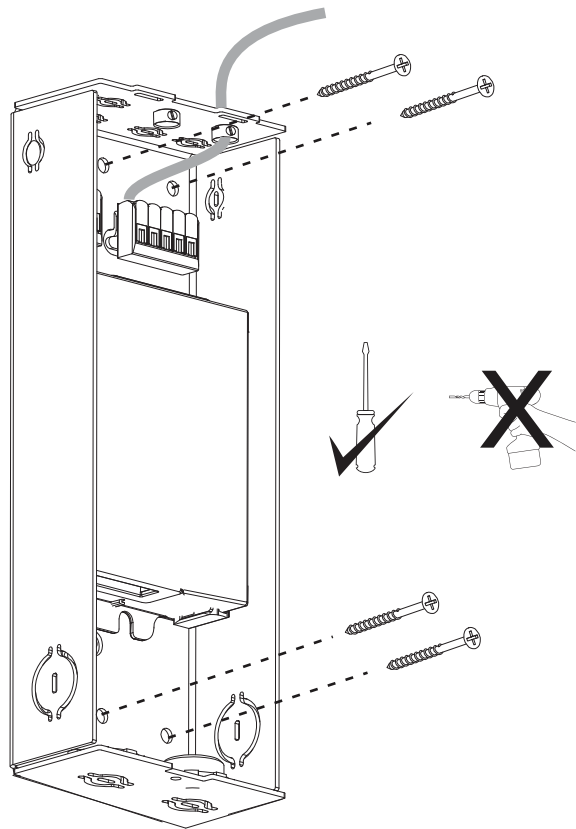
Wire gauge	Max Distance
18AWG	64.6 ft / 19.7m
16AWG	102.7 ft / 31.3m
14AWG	163.3 ft / 49.8m
12AWG	259.7 ft / 79.1m



6

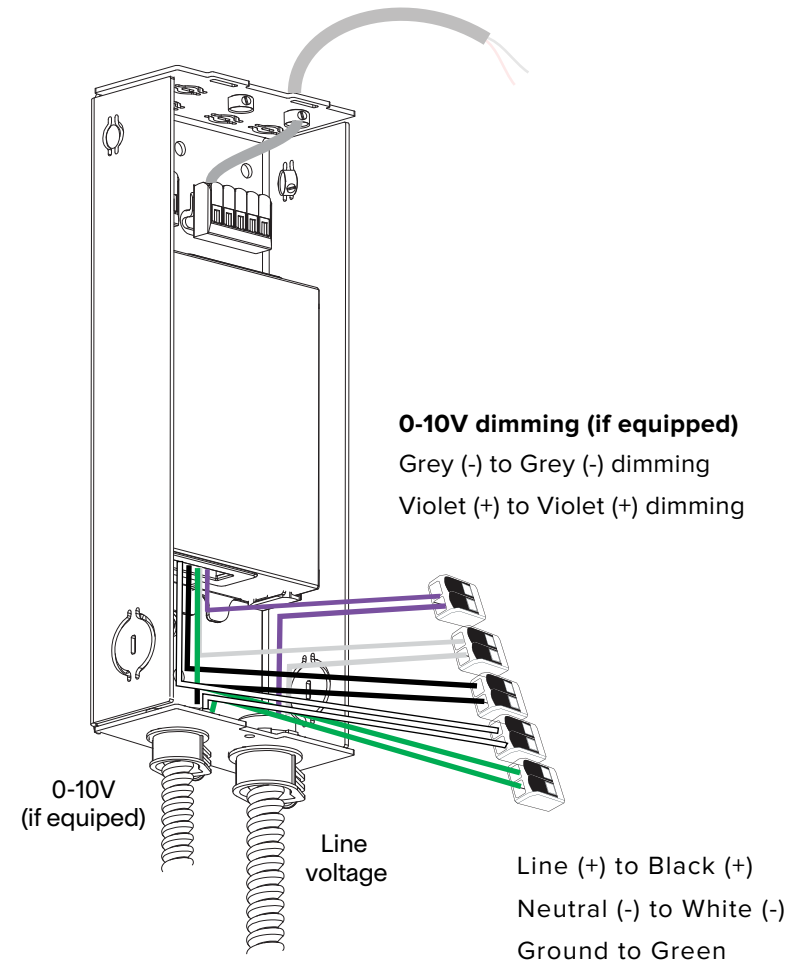
Remove cover and mount driver housing to wall.

Screws not provided.



7

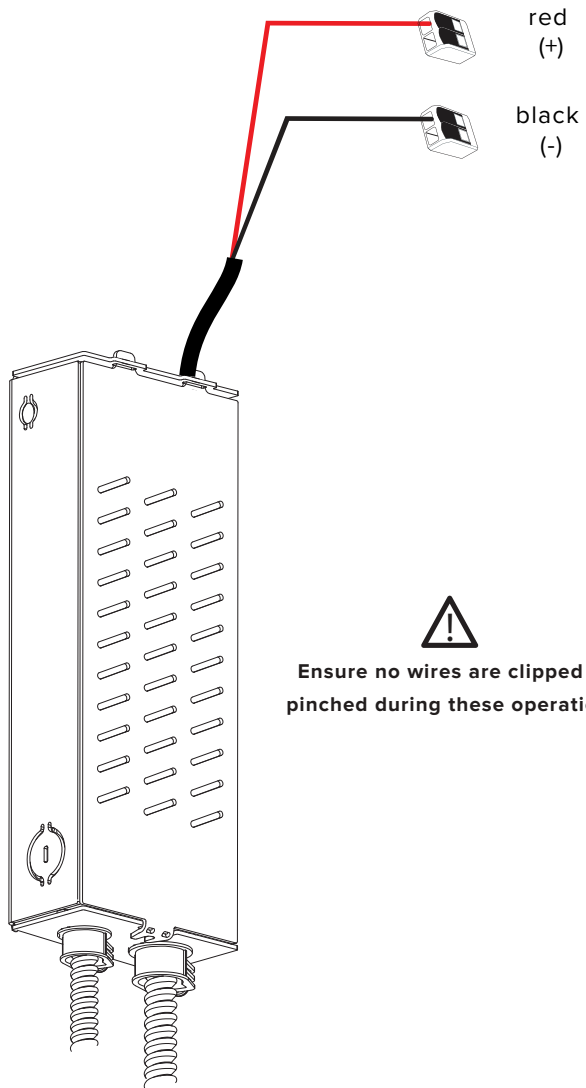
Make Line Voltage and dimming connections to driver wiring.



Use a screwdriver to knock out tab, then secure cables (not supplied)

8

Close driver housing and make low voltage connections.



9

The recessed canopy is now installed, return to luminaire installation steps and follow the instructions (page 3).