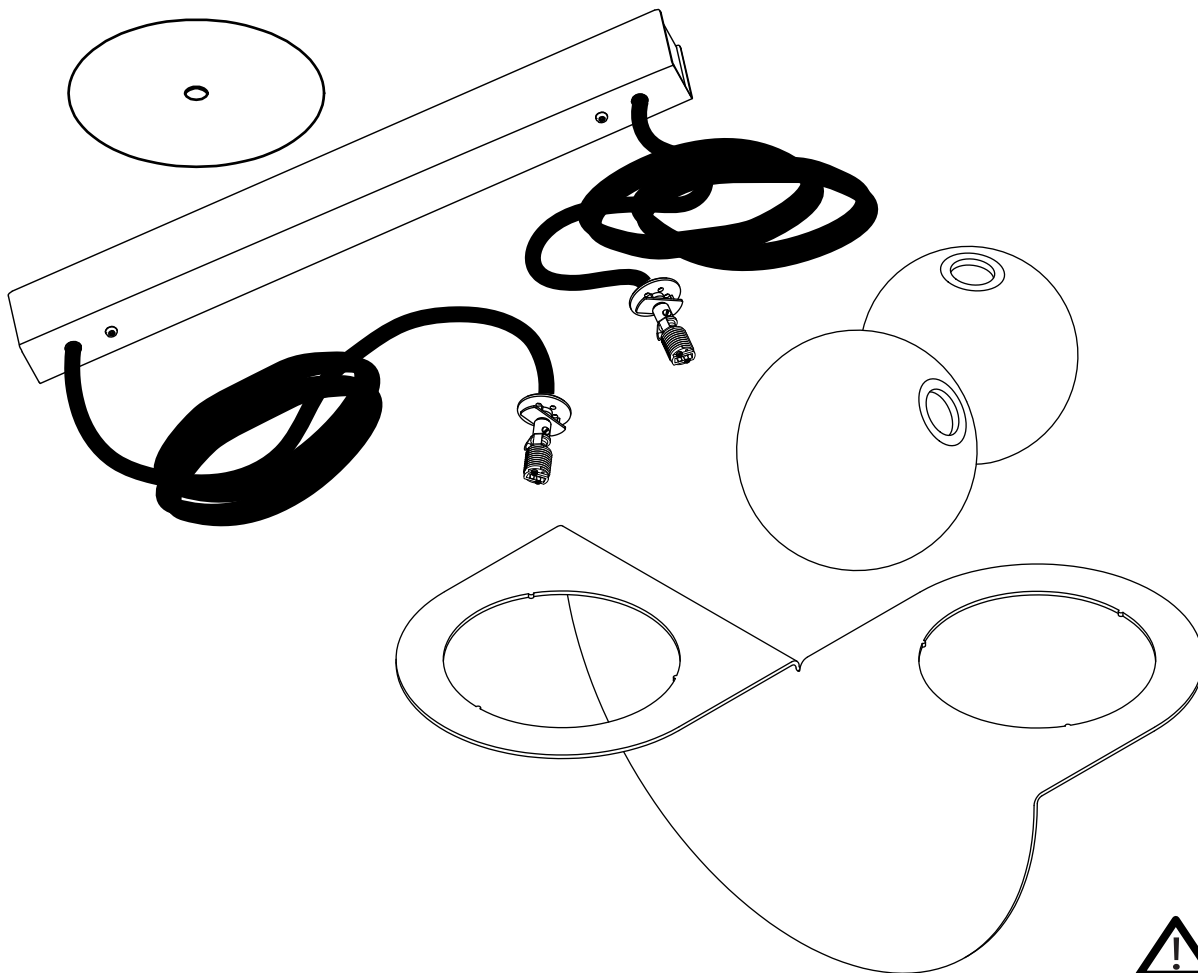
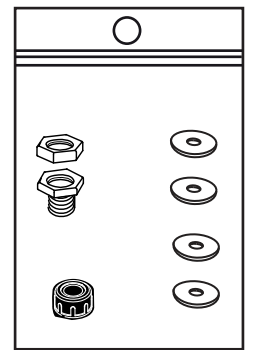
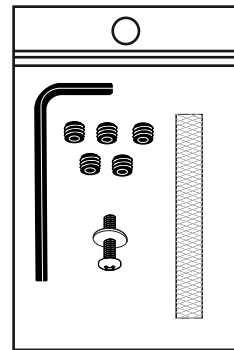


LAURENT PARALLEL



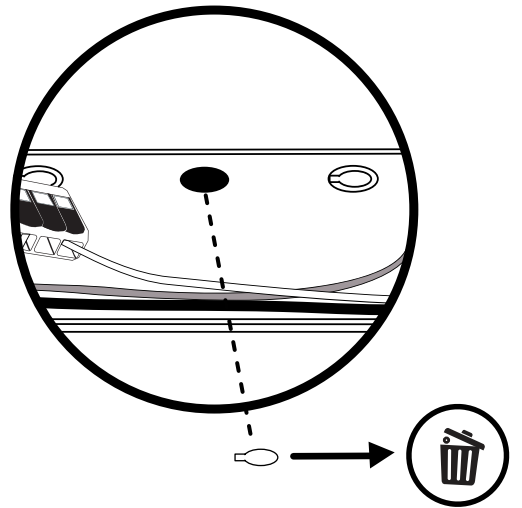
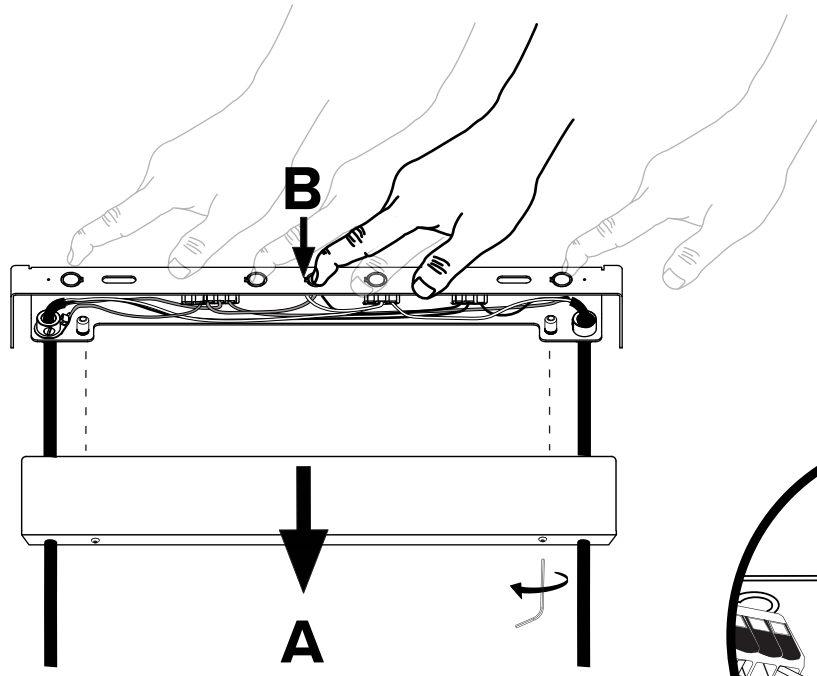
- To be installed by an electrician to an electrical box
- Use appropriate screws and anchors where necessary
- Wear enclosed gloves when handling lamp
- Handle materials with care. Please consult lamp maintenance sheet on our web site
- Should be used exclusively as a lamp and not as a shelving, display or hanging unit



PLEASE NOTE

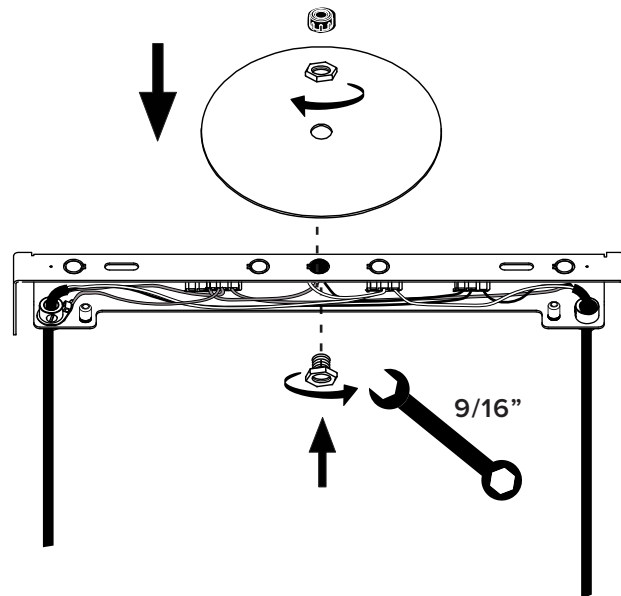
THIS IS AN EXAMPLE OF THE LRT 01.
HOWEVER, ALL MODELS FOLLOW
THE SAME INSTALLATION PROCESS.

1

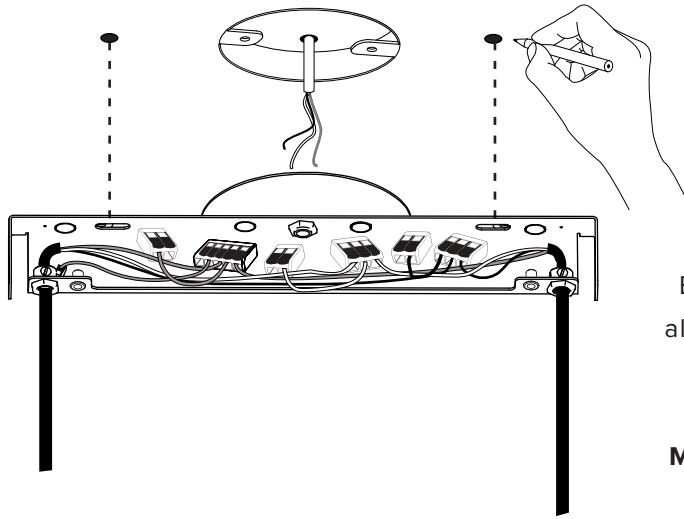


Knockout selected hole depending on desired electrical box alignment.

2



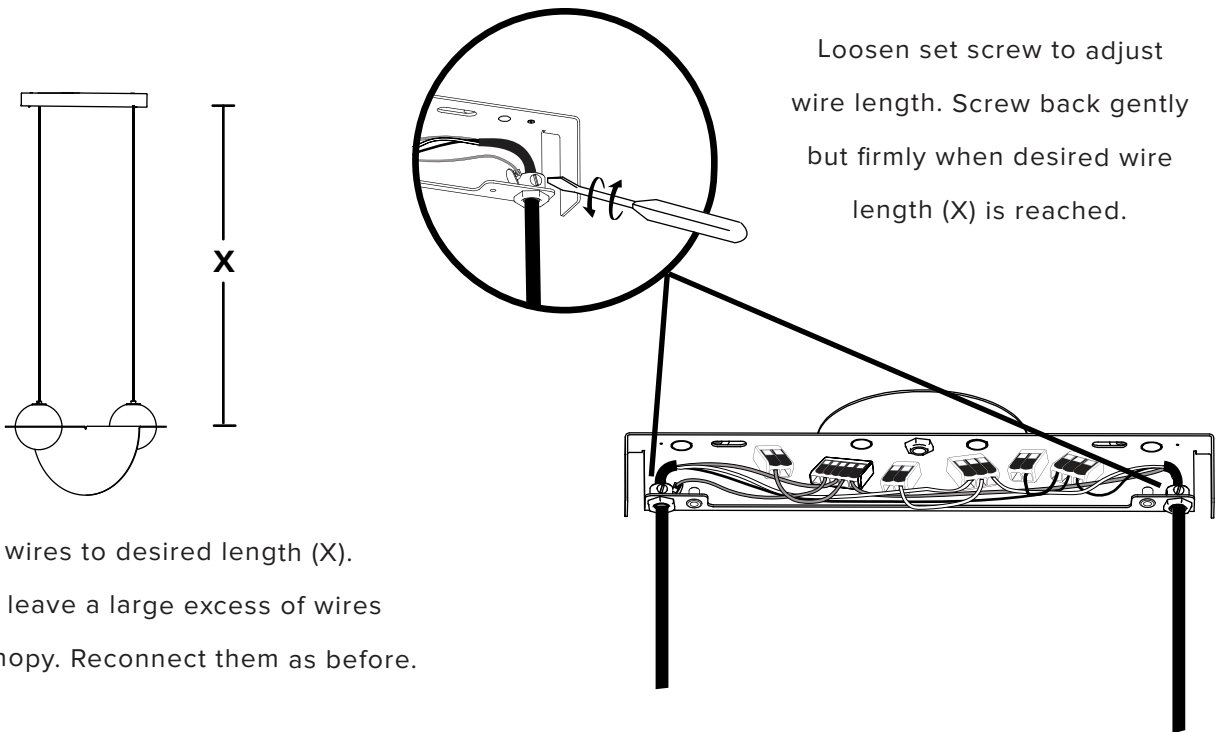
3



Before marking your anchor locations, align the ceiling bracket with the center of your junction box.

Make sure to use appropriate anchors for ceiling material.

4



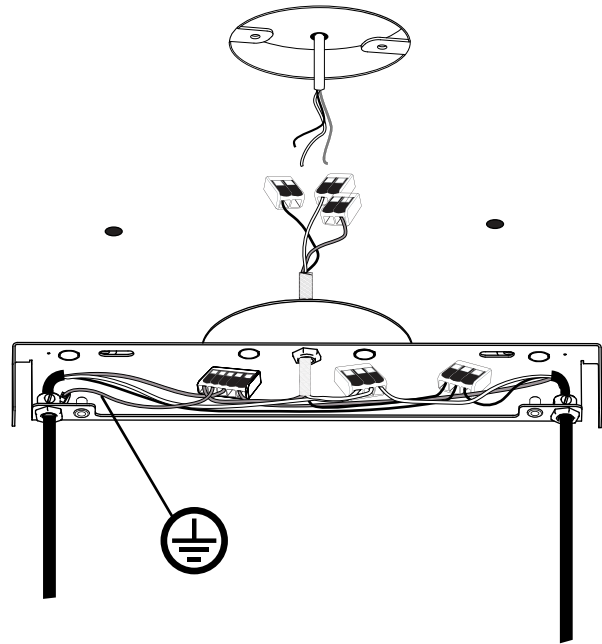
Loosen set screw to adjust wire length. Screw back gently but firmly when desired wire length (X) is reached.

Trim wires to desired length (X).
Do not leave a large excess of wires inside canopy. Reconnect them as before.

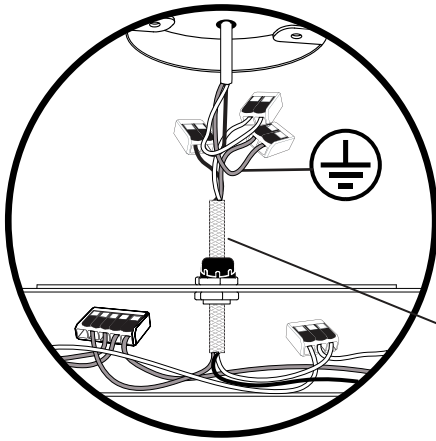
5

Make connection in the identified wagos.

Unclip the three wagos, feed the wires through the chosen wire exit and then reclip the wagos.

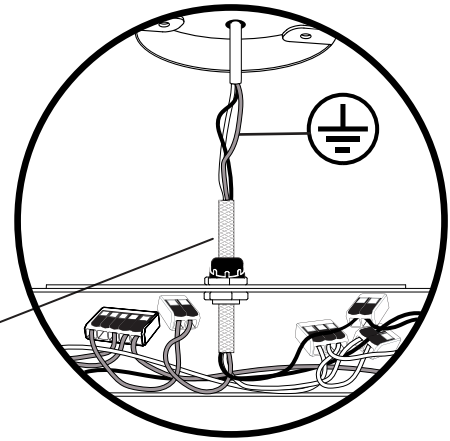


Recommended

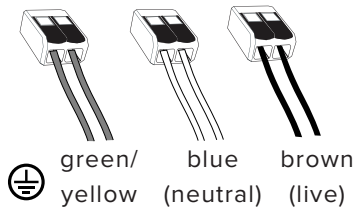
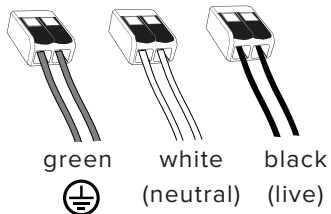


Insert provided fiberglass heat sleeve before making your connection.

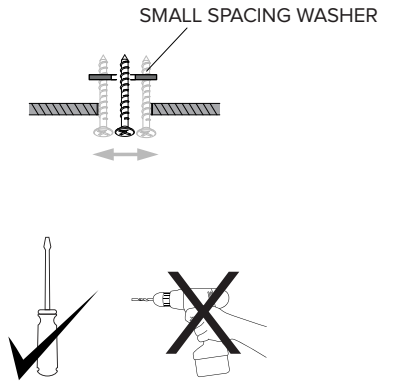
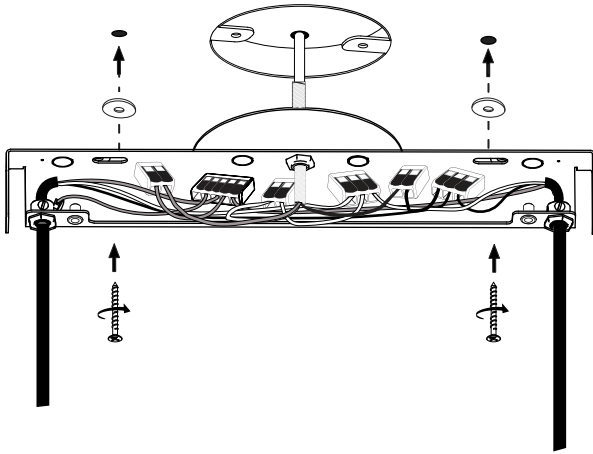
OR



Only possible if wires are fixed and if wires are 0.20 to 4mm² (20 to 12 gauge) solid or stranded.

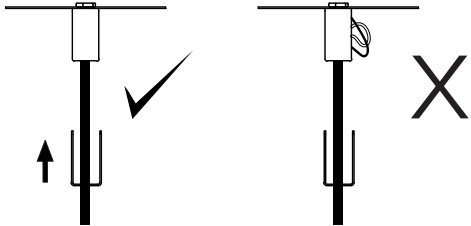
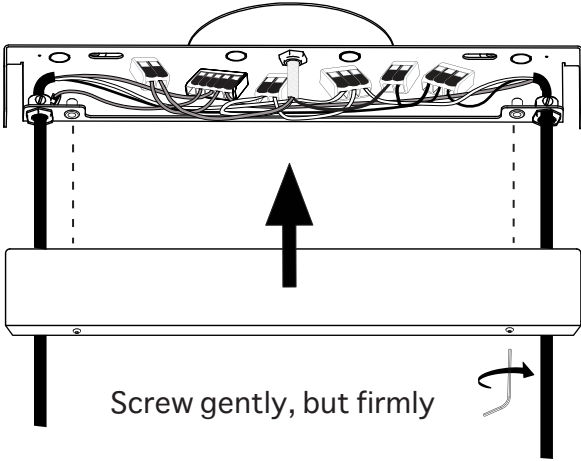


6



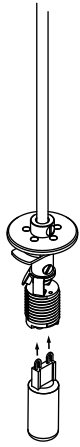
Avoid scuffing wires during this operation.

7

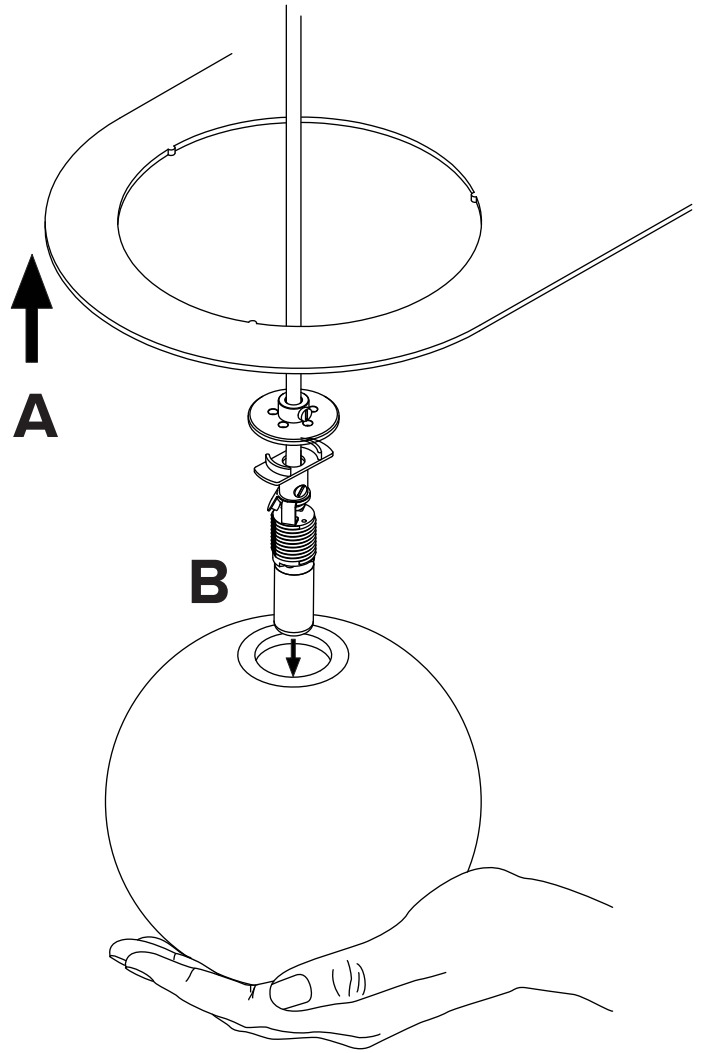


Ensure no wires are clipped or pinched during this operation.

8

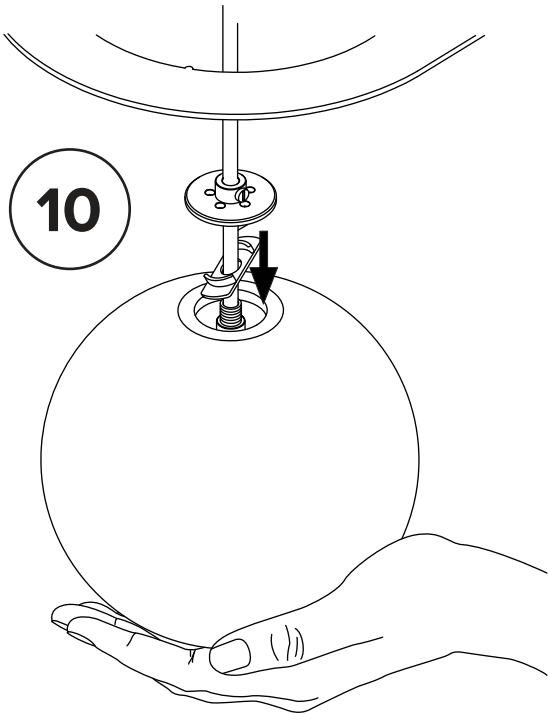


9

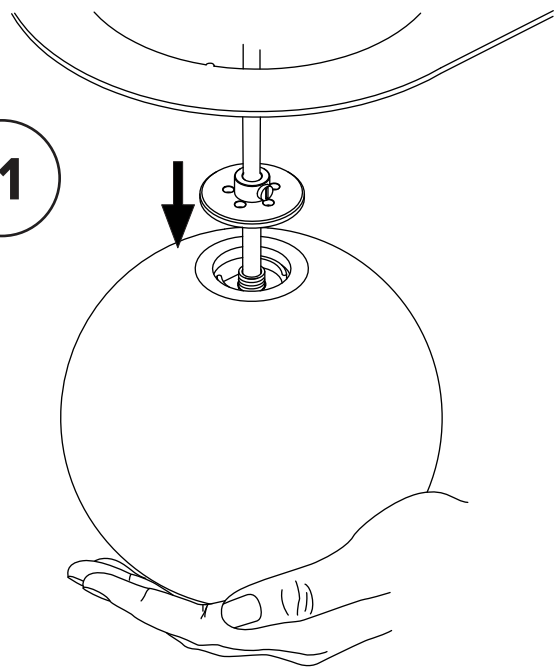


To ensure safety,
**PLEASE FOLLOW THESE STEPS
CAREFULLY**

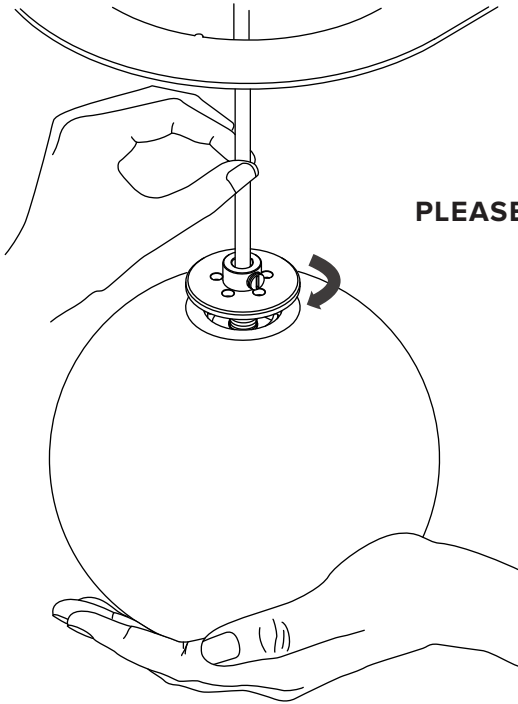
10



11



12

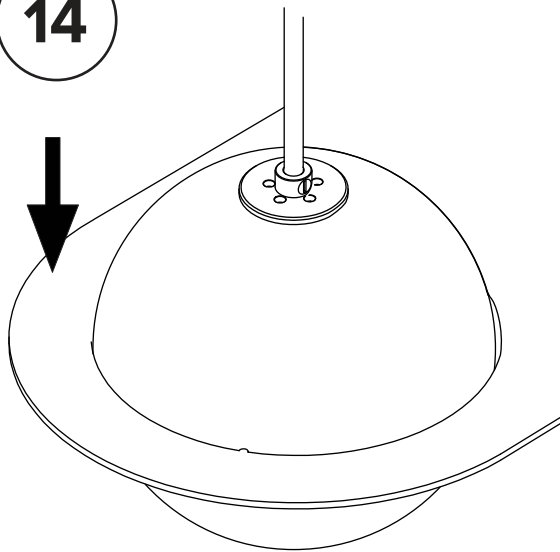


13

To ensure safety,
**PLEASE FOLLOW THESE STEPS
CAREFULLY**



14



15

Make sure the globes are level by micro-adjusting the wire lengths.

SCREW GENTLY BUT FIRMLY

