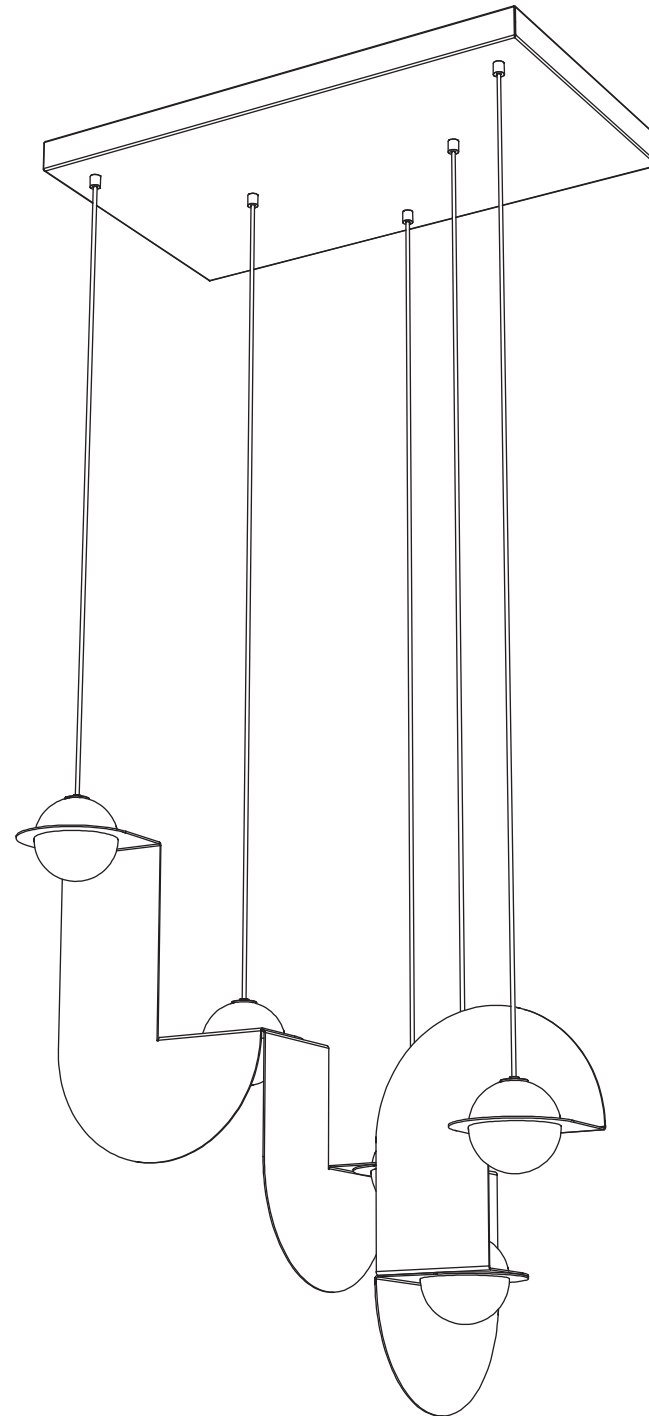


LAURENT ATELIER - CEILING MOUNT



- Please read entire manual before beginning install
- To be installed by an electrician to an electrical box
- Use appropriate screws where necessary
- Wear enclosed gloves when handling lamp
- Handle materials with care. Please consult lamp maintenance sheet on our web site
- Should be used exclusively as a lamp and not as a shelving, display or hanging unit

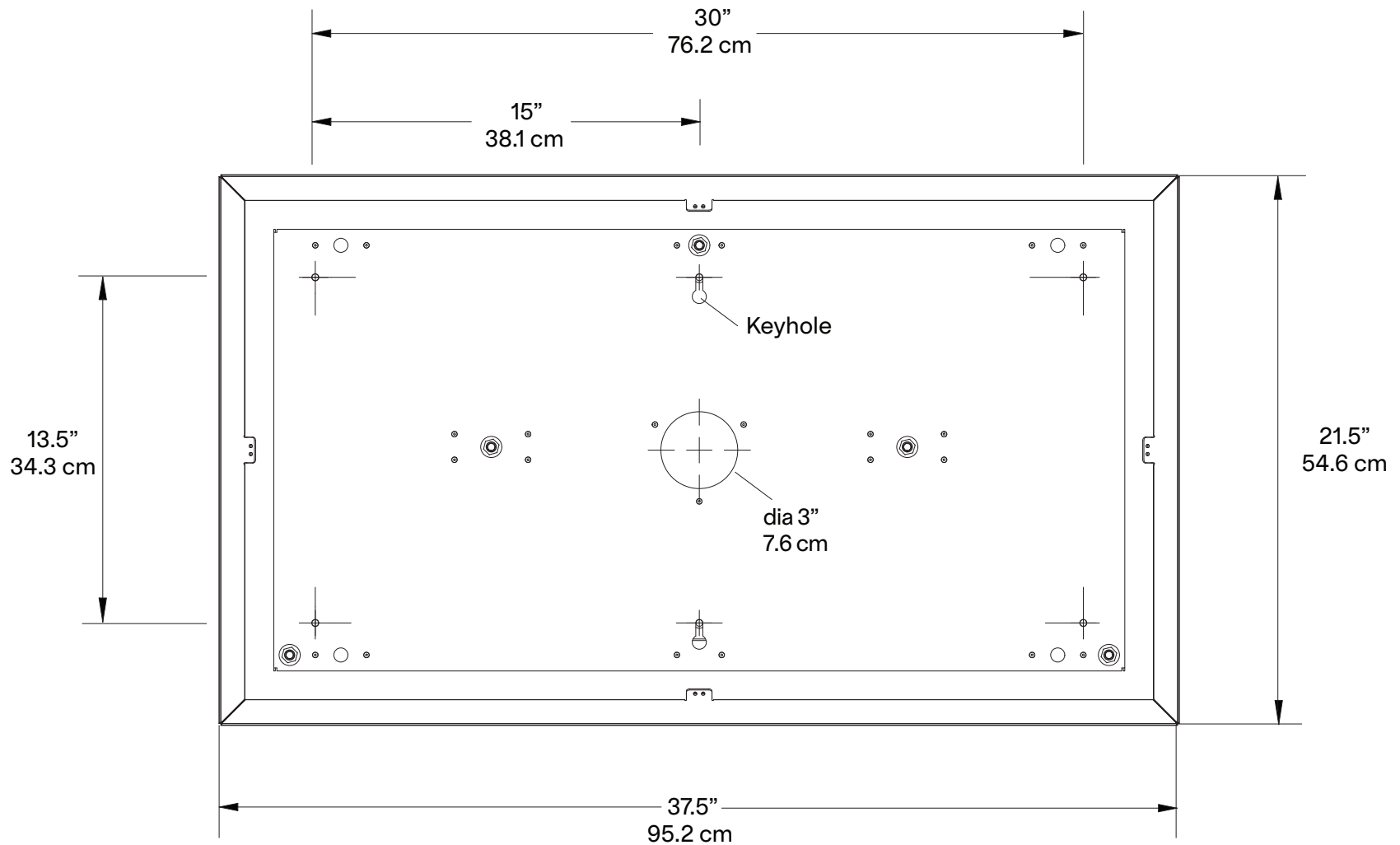


1

Ceiling mounting points

Mark mounting locations using electrical box and canopy as a guide.

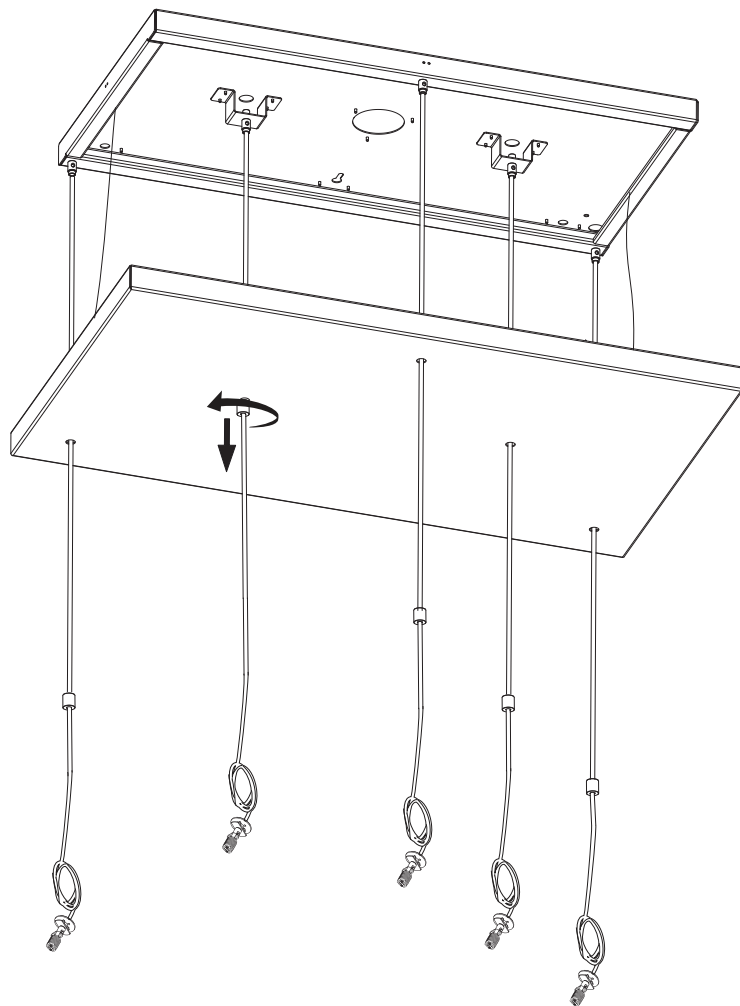
Make sure you have the desired orientation before proceeding.
The luminaire is not symmetric.



2

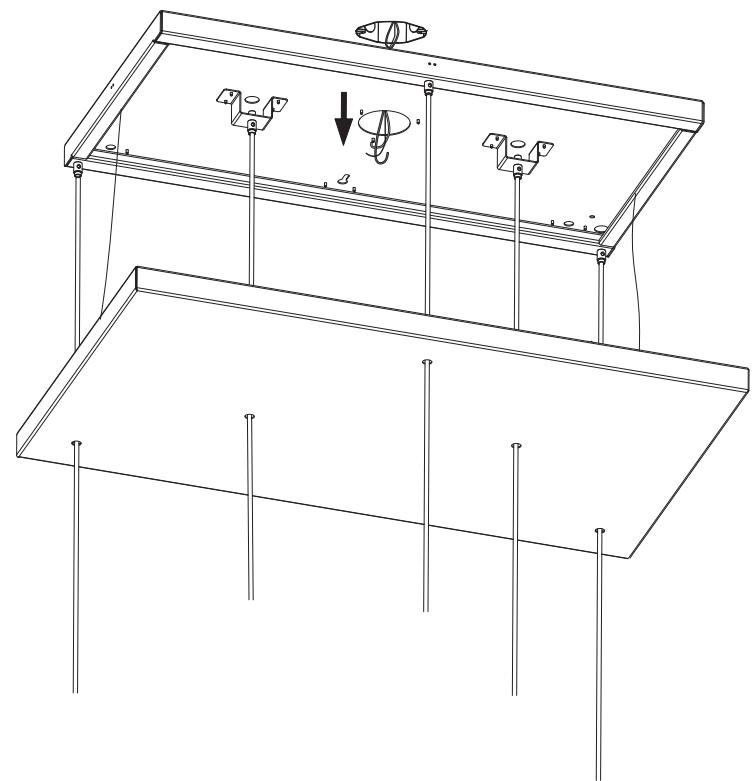
Open canopy cover by unscrewing the caps.

The lower part of the canopy is temporarily held in place with stainless steel cables to facilitate assembly.



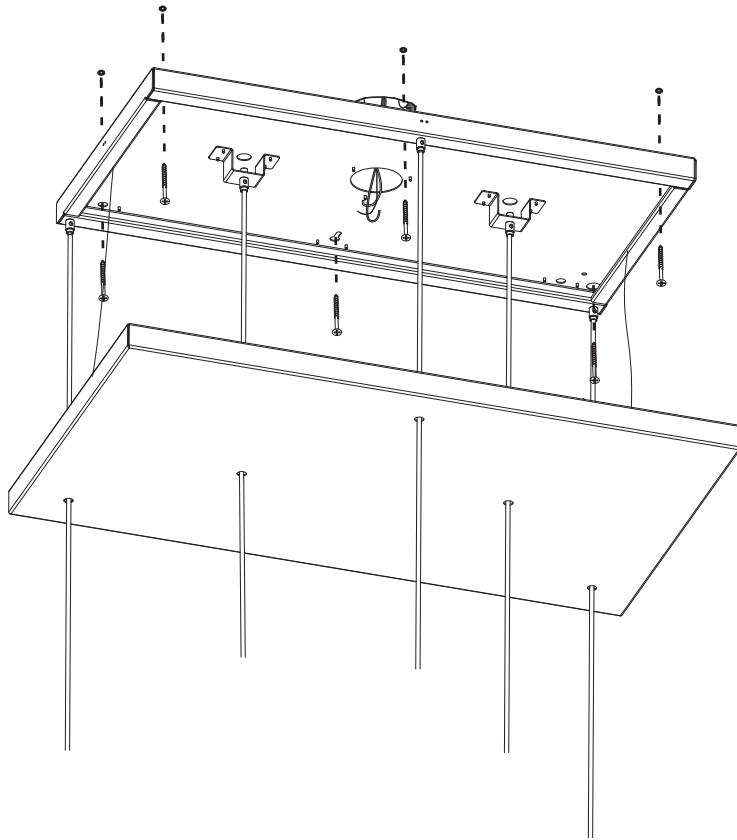
3

Pass wires from junction box through opening in canopy.



4

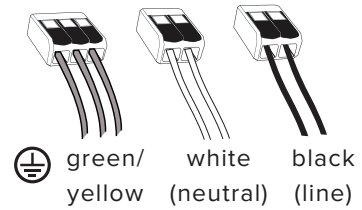
Mount the canopy using 6 screws (not provided).
Use proper anchors for ceiling material.
Mount the key holes first, then secure
the remaining 4 screws.



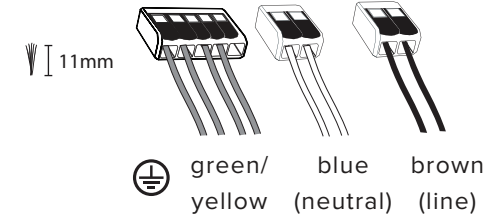
5

MAKE MAIN /LINE
VOLTAGE CONNECTIONS
from the junction box to the clearly
identified connectors within
the canopy

for 120 V wiring



for 220-240 V wiring



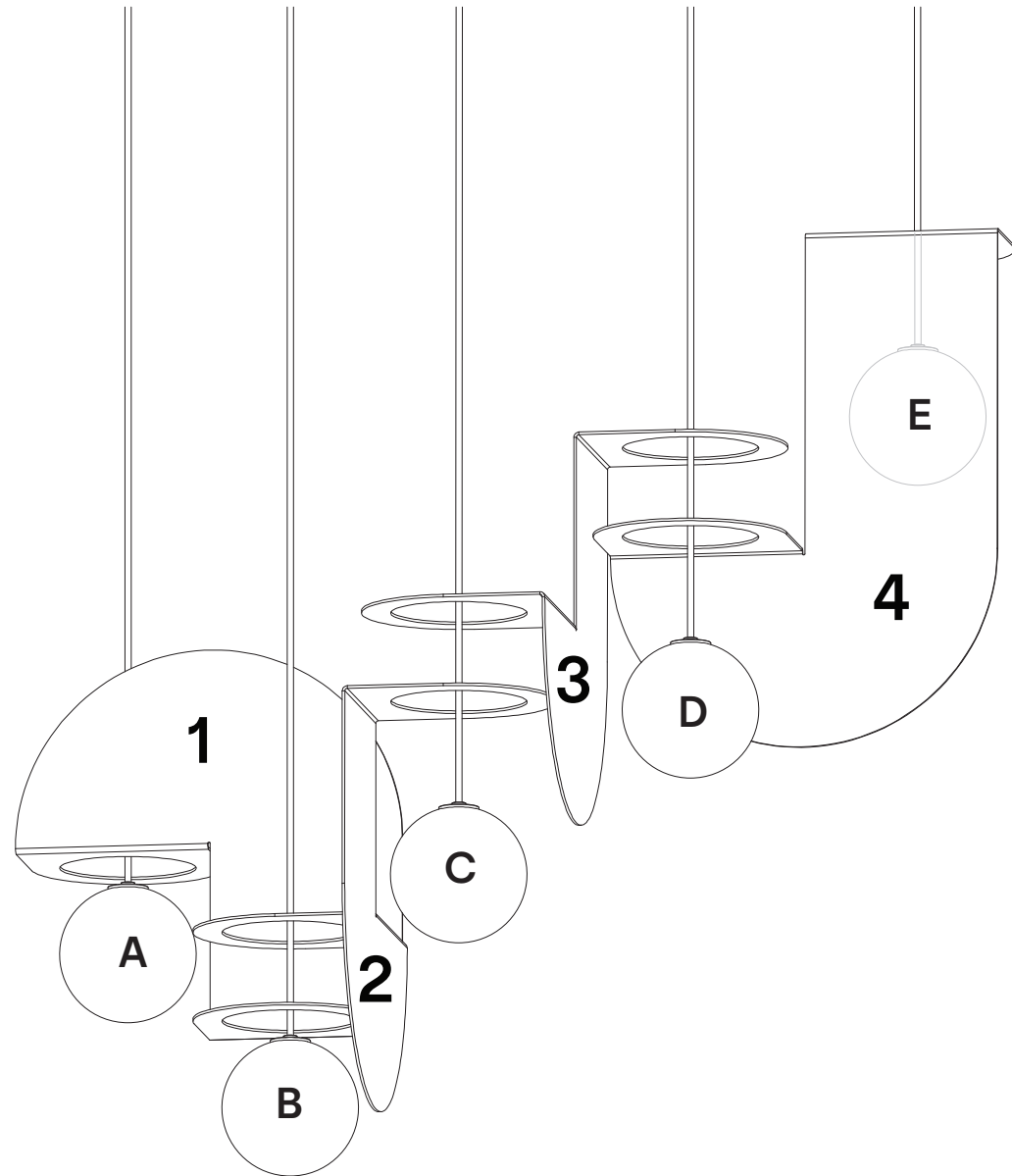
6

The globes and shades need to be installed in order as presented. There are aluminium and steel shades that need to be layered correctly.

The shades are clearly labeled.

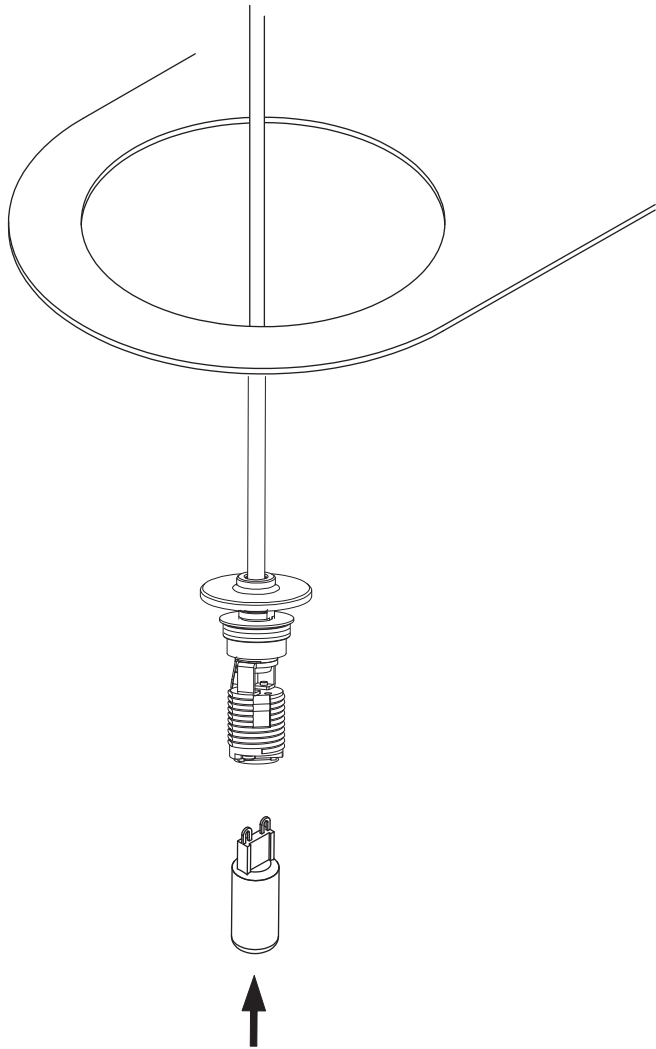
After each step (1 to 5) screw on the globes by following the steps on next page.

1. Pass wire for globe **A** through shade **1**
2. Pass wire for globe **B** through shade **2**, then **1**
3. Pass wire for globe **C** through shade **3**, then **2**
4. Pass wire for globe **D** through shade **3**, then **4**
5. Pass wire for globe **E** through shade **4**



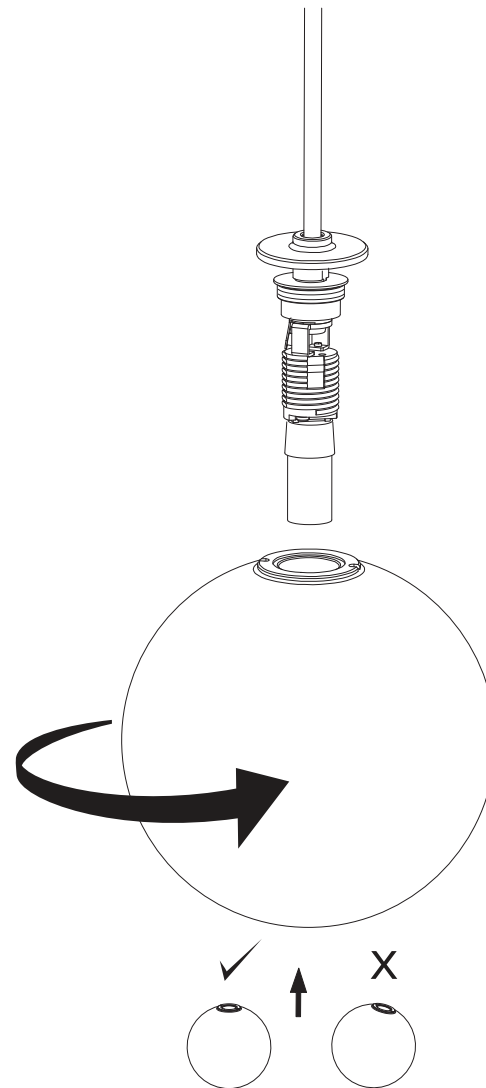
7

Place the wire through the shade



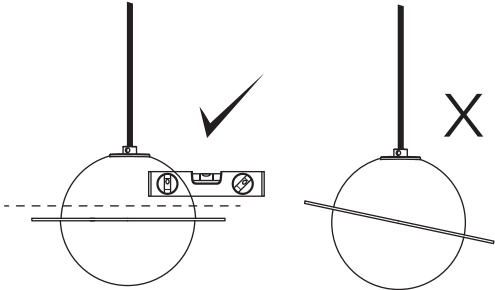
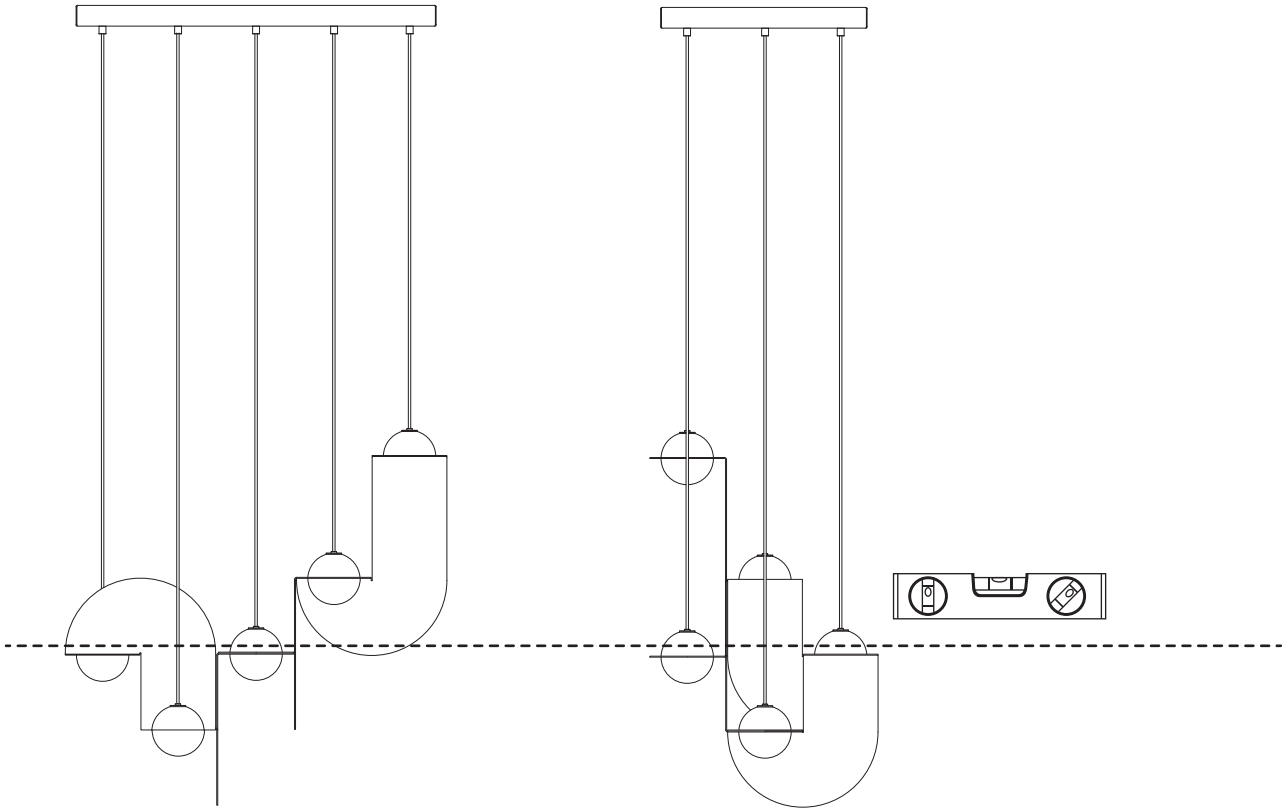
8

Screw the globe to the assembled light source.



9

Make sure the luminaire is level and balanced.



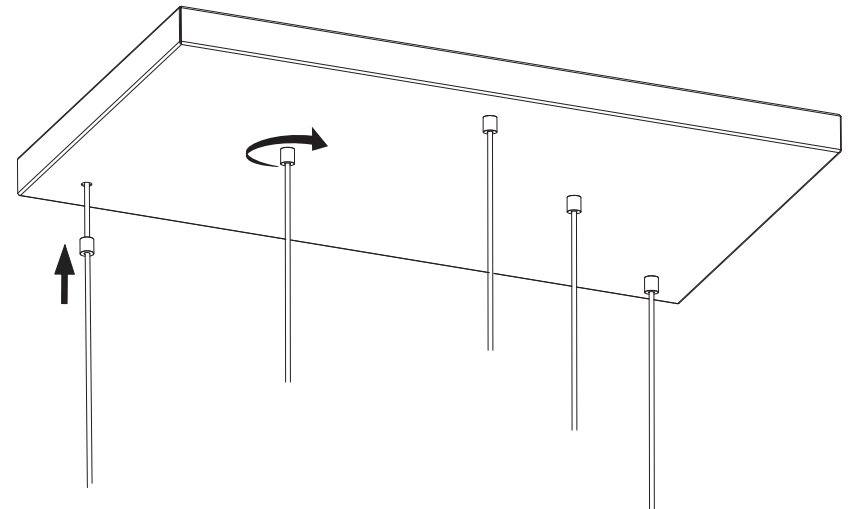
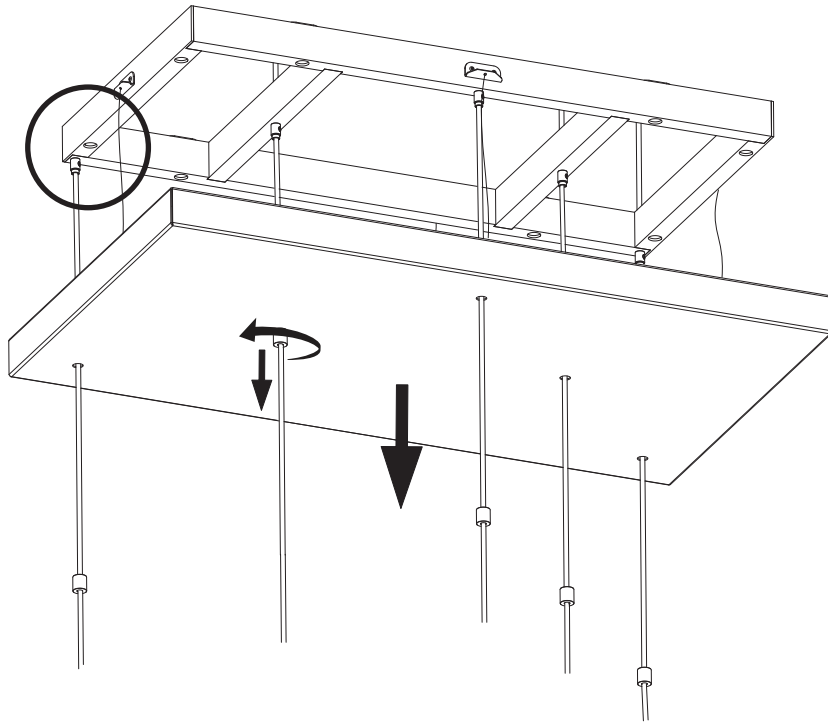
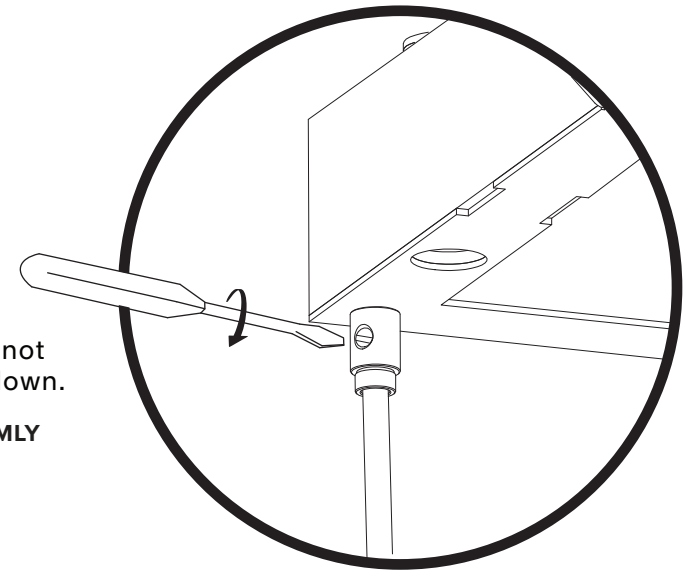
10

If micro adjustments to wire length are needed, open canopy cover by rotating the 5 caps.

The lower part of the canopy is temporarily held in place with stainless steel cables to facilitate adjustments.

Micro-adjustments cannot exceed 1" / 2.5cm up or down.

SCREW GENTLY BUT FIRMLY



When adjustments are complete, raise the canopy cover and secure it in place by screwing the caps back into place.

Make sure the stainless steel cable is tucked inside of the canopy cover when raising it.