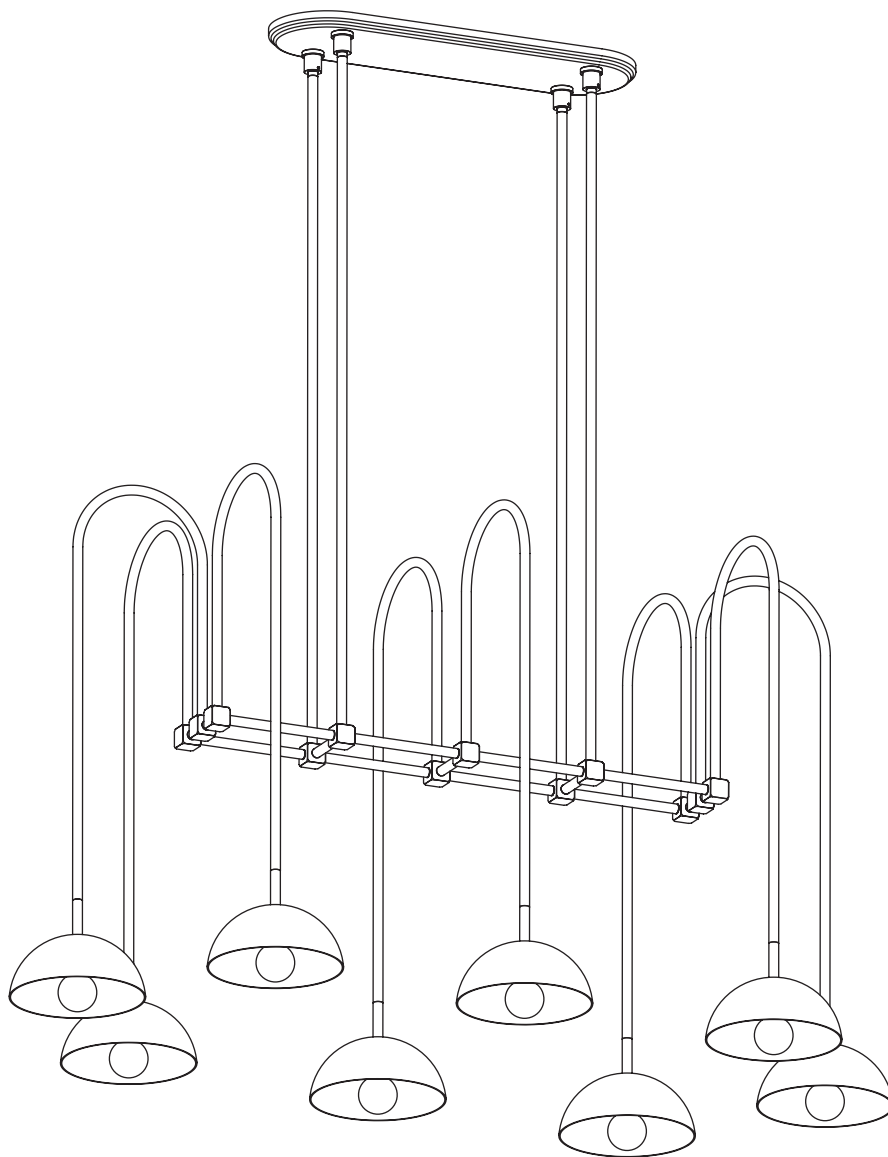


BEAUBIEN 55



lambert&fils



- Please read entire manual before beginning installation
- To be installed by an electrician to an electrical box
- Use appropriate screws where necessary
- Wear enclosed gloves when handling lamp
- Handle materials with care. Please consult lamp maintenance sheet on our web site

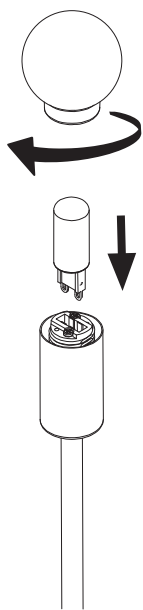
min 22 lbs. / 10 kg



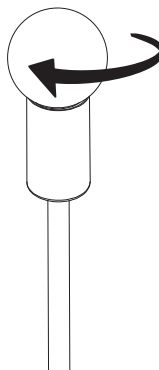
Keep luminaire upright
during installation steps.
Do not lay it on it's side.



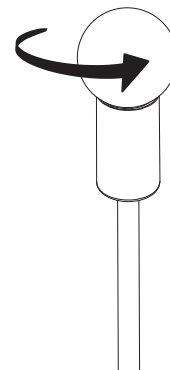
Important steps to follow when installing a glass globe



Insert bulb.



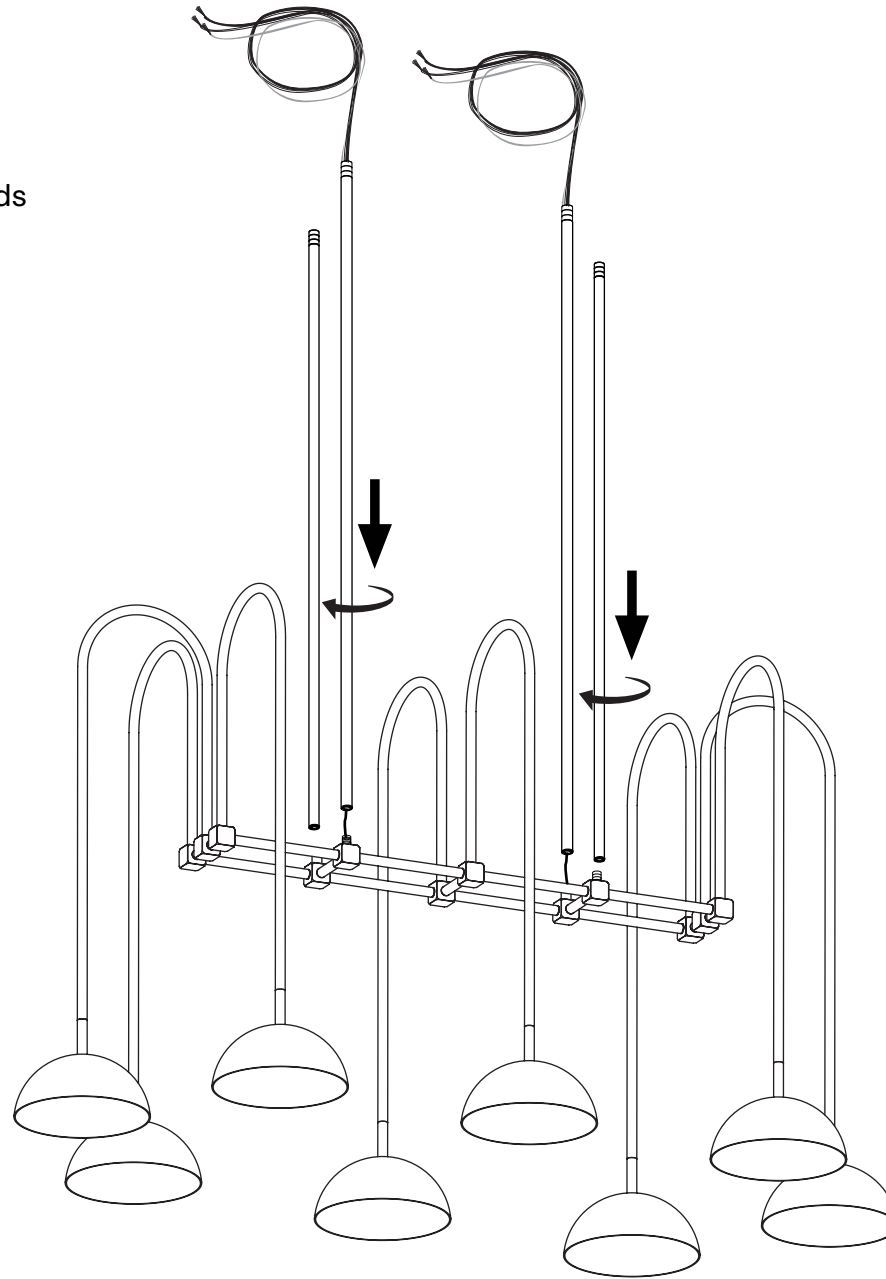
Screw in globe gently until it is tight.
Do not force the globe.



Unscrew bulb slightly 1/2 turn.

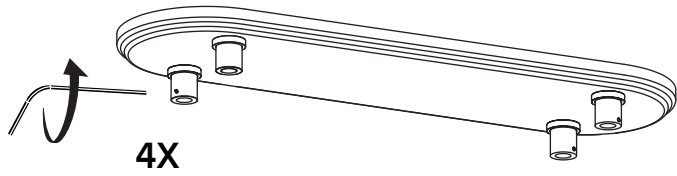
1

Pass wires through ceiling rods
and rotate rods into place.



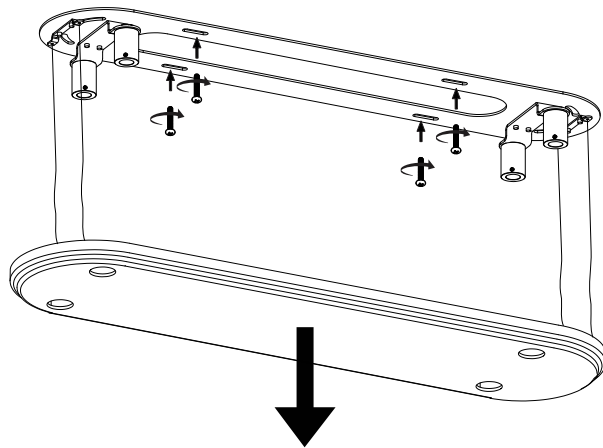
2

Open canopy cover



3

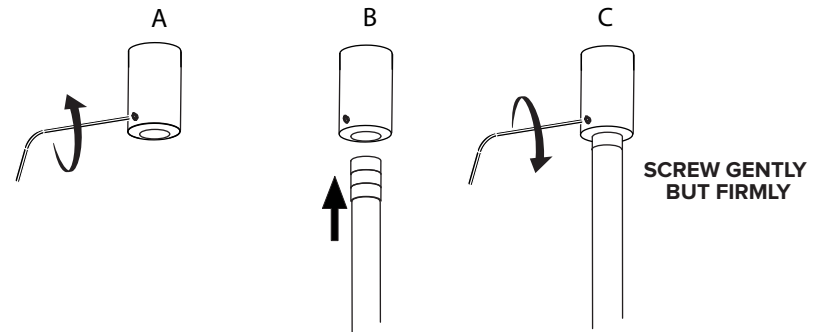
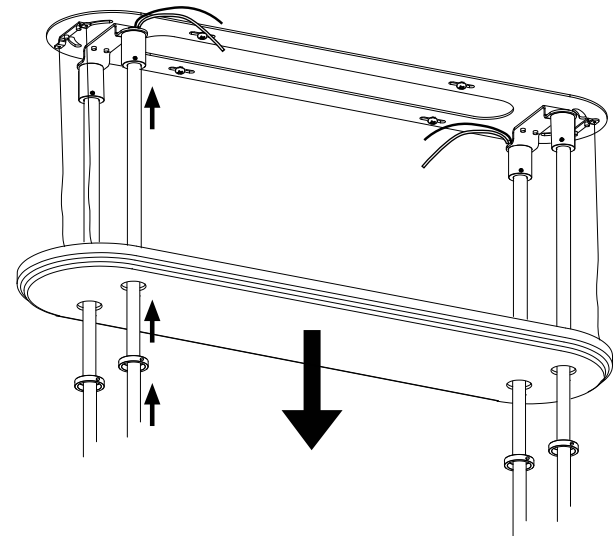
Mount bracket to ceiling using appropriate screws and anchors. The lower part of the canopy is held in place with 4 aircraft cables to assist in assembly.



4

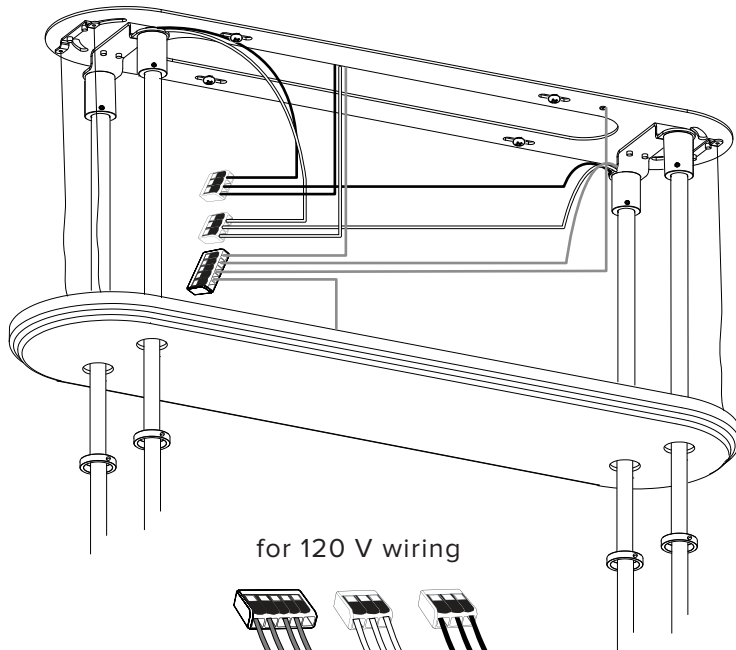
Pass the tiges through slip ring, canopy cover, then into the anchor following steps A to C.

Micro-adjustments can be made later.

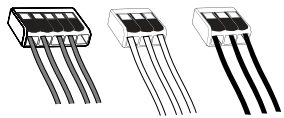


5

Make connections



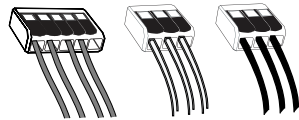
for 120 V wiring



green white black
⊕ (neutral) (line)

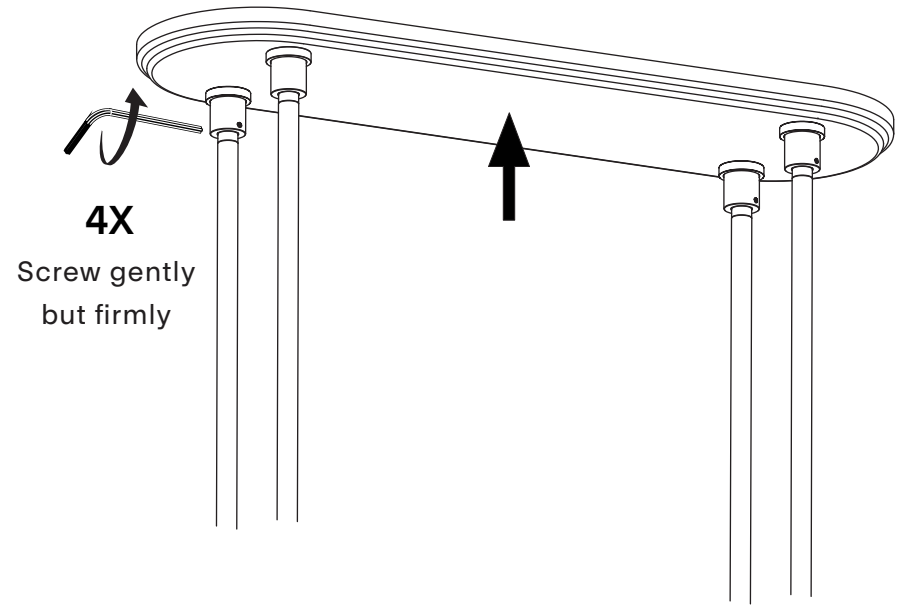


for 220-240 V wiring



⊕ green/ blue brown
yellow (neutral) (line)

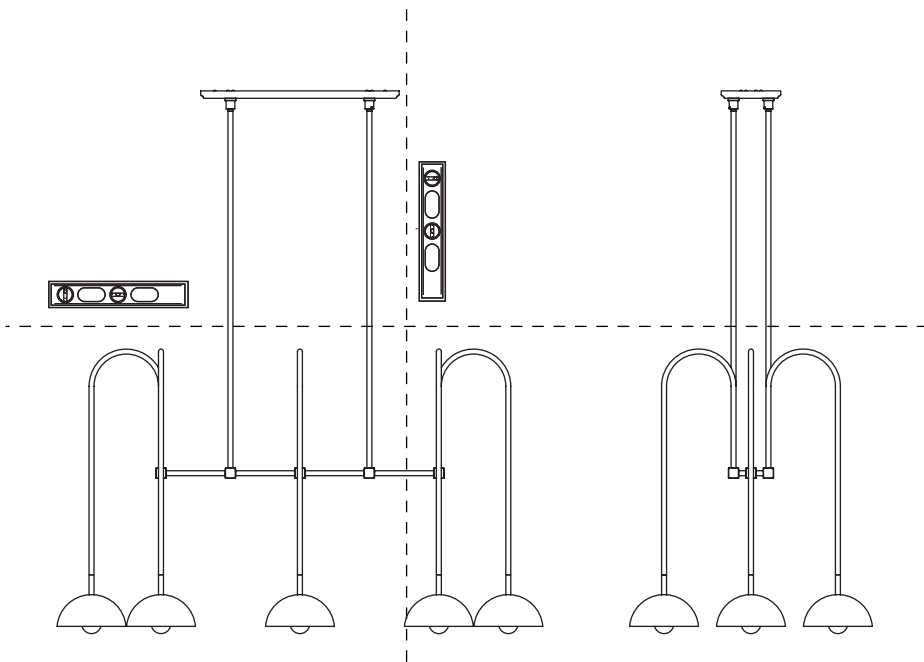
6



4X
Screw gently
but firmly

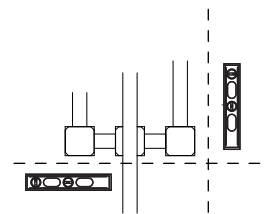
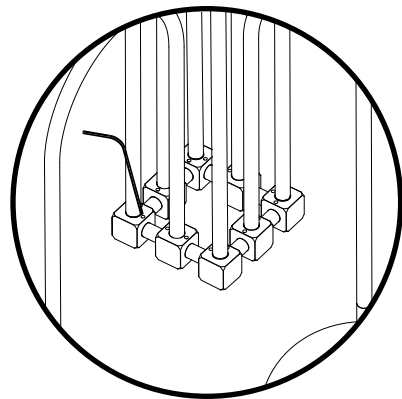
Ensure no wires are
clipped or pinched during
this operation.

7

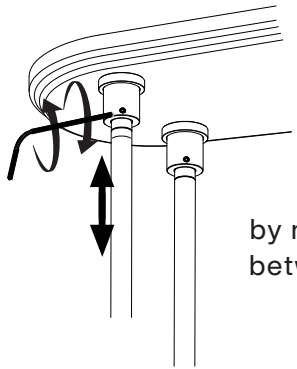


The brass cubes may have shifted, or become loose in shipping. Make sure they are level in all senses.

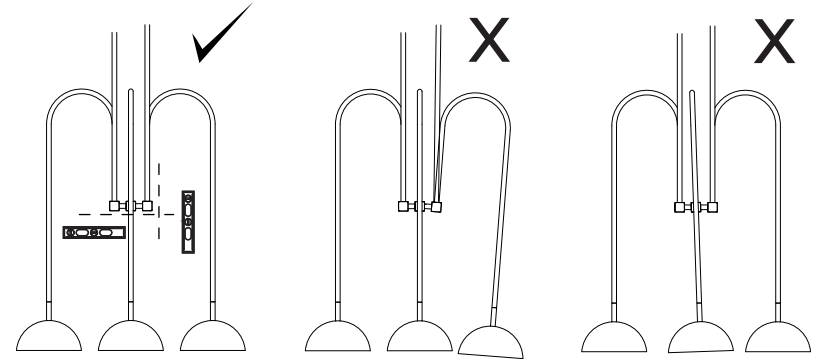
If adjustments are needed, loosen set screw, adjust arms, re-tighten set screw.



 Cubes may have shifted during shipping so assure that all cubes are straight and parallel with one another



Level is adjusted by moving the stem up and down between the two segmented lines



8

