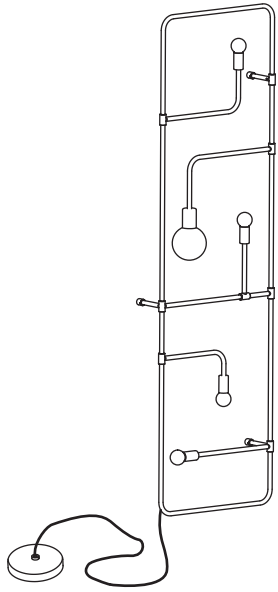
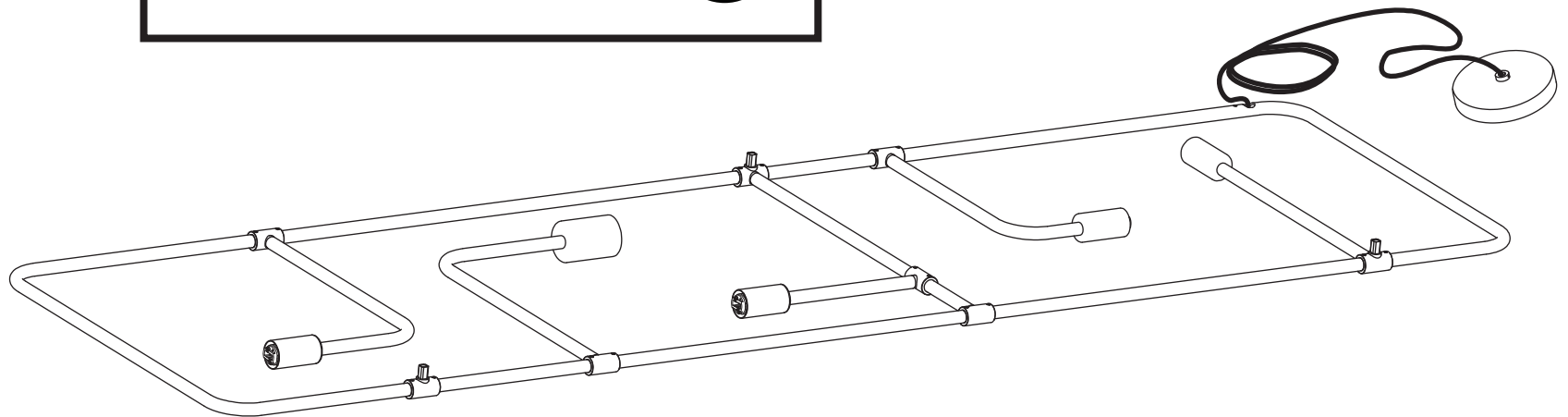
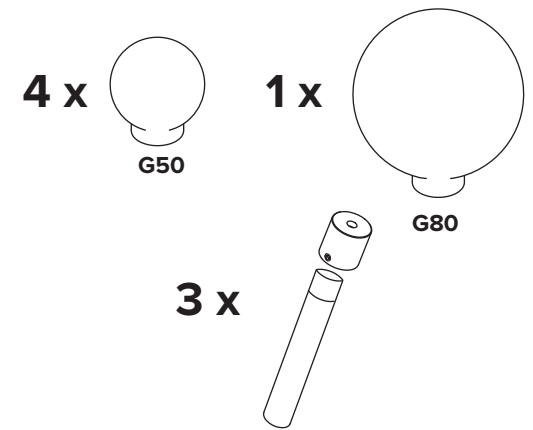


BEAUBIEN WALL



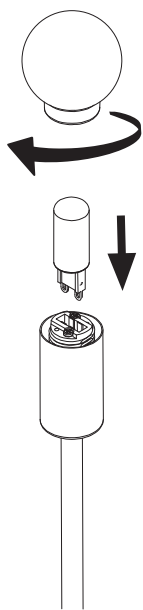
- Use appropriate screws and anchors where necessary
- Wear enclosed gloves when handling lamp
- Hold lamp by the frame
- Handle raw brass with care. Please consult lamp maintenance sheet on our web site
- Wall mount only

lamp weight **17 lbs / 7.7 kg**

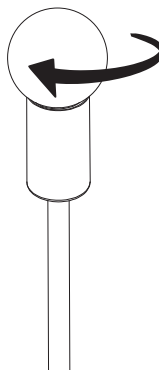




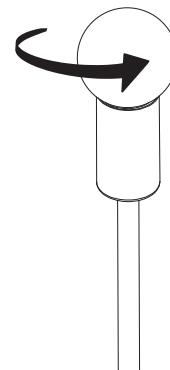
Important steps to follow when installing a glass globe



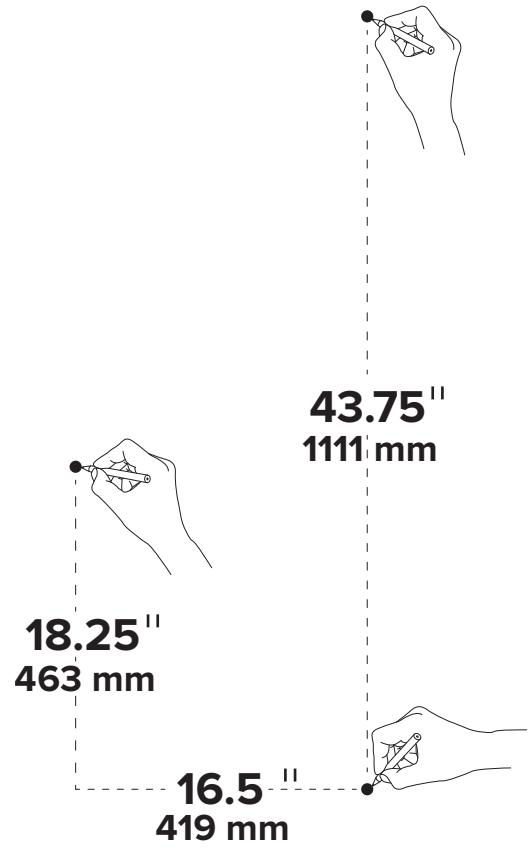
Insert bulb.



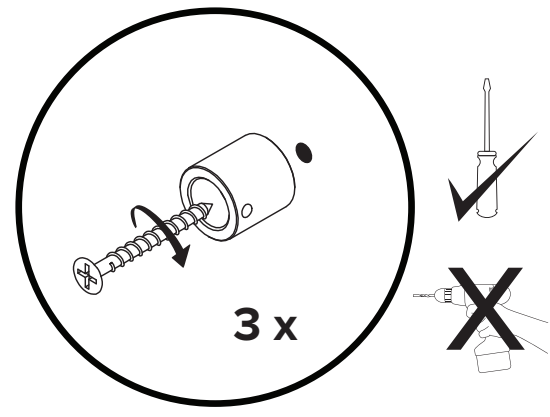
Screw in globe gently until it is tight.
Do not force the globe.



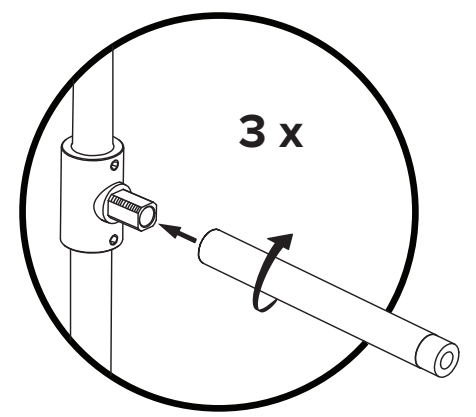
Unscrew bulb slightly 1/2 turn.



1

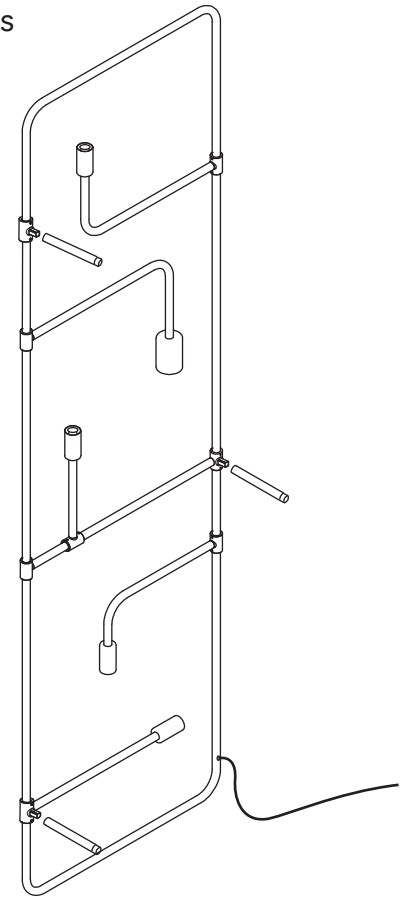


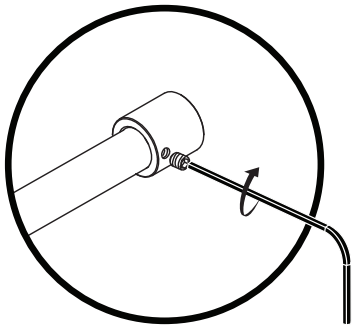
* Use appropriate anchors



2

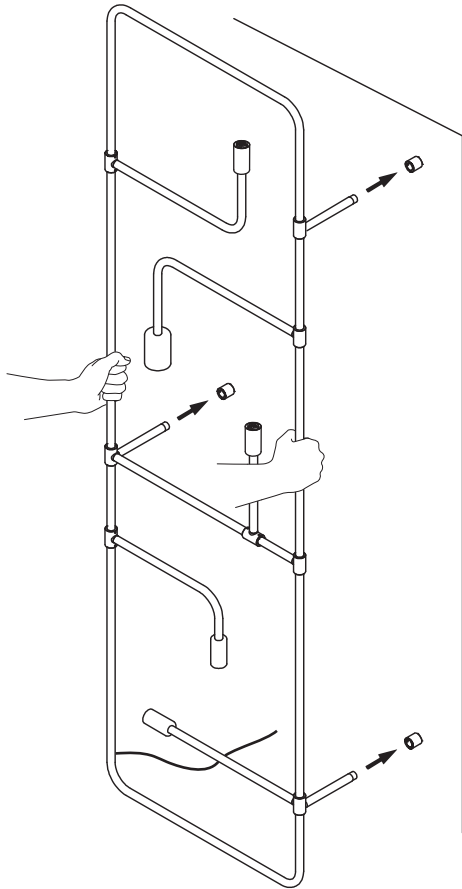
3



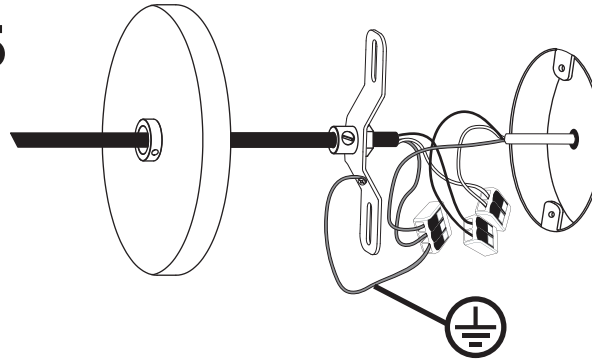


4

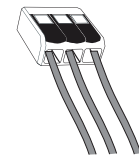
* Screw gently, but firmly



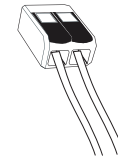
5



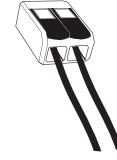
Make connection  6mm



green/yellow

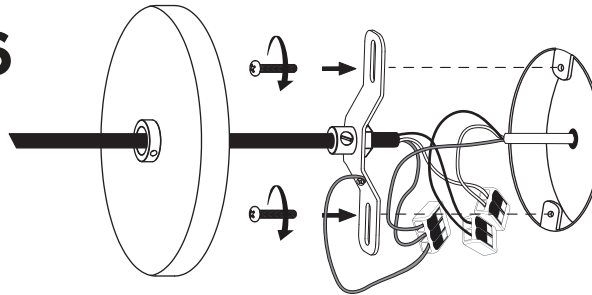


white
(neutral)

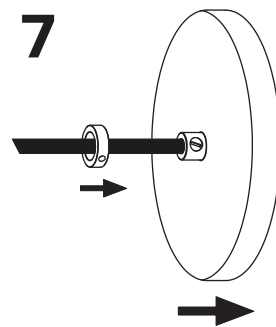


black
(line)

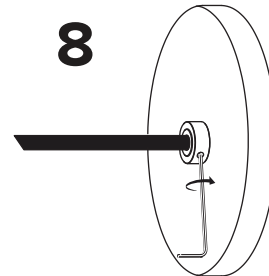
6



7

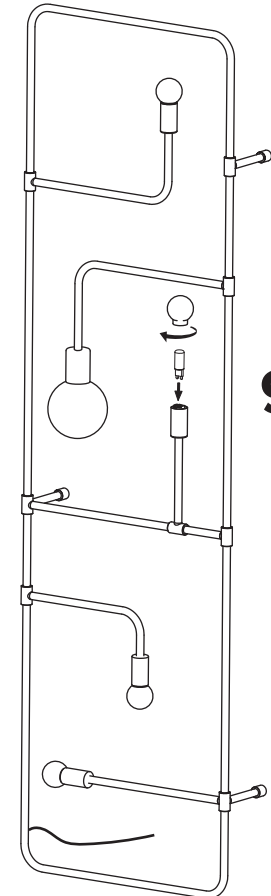


8

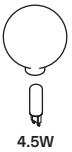


* Screw gently, but firmly

9



3.5W



4.5W