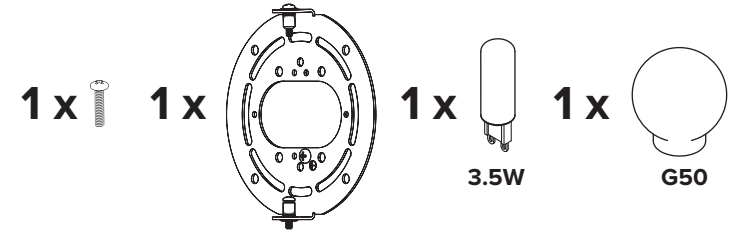
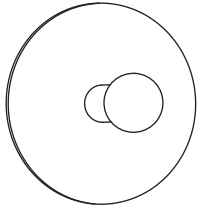
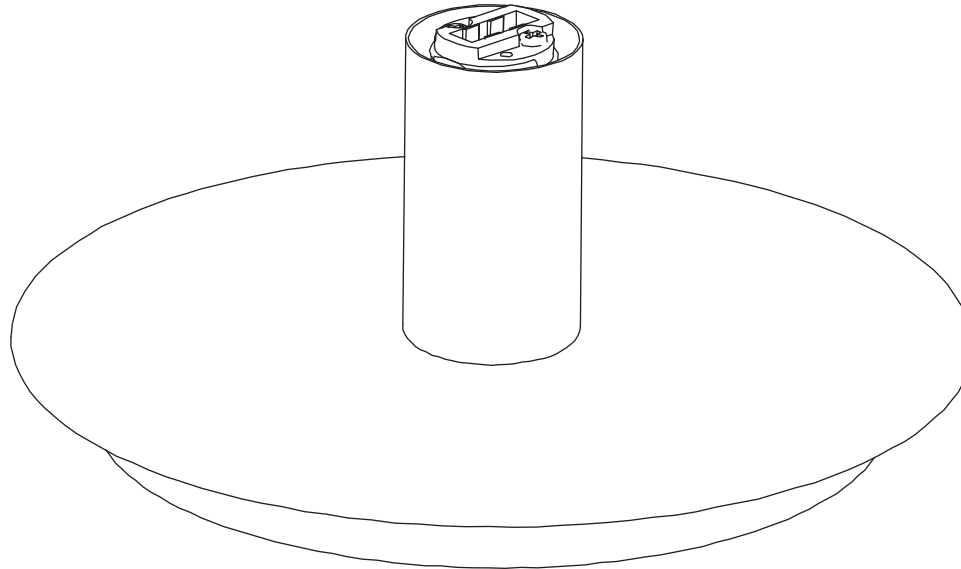


DOT WALL HARDWARE

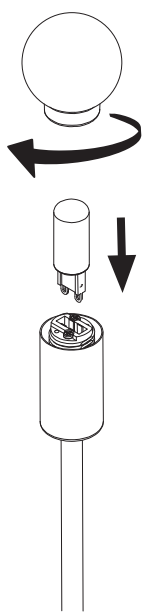


- To be installed by an electrician to an electrical box
- Use appropriate screws and anchors where necessary
- Wear enclosed gloves when handling lamp
- Handle materials with care. Please consult lamp maintenance sheet on our web site
- Wall mount only

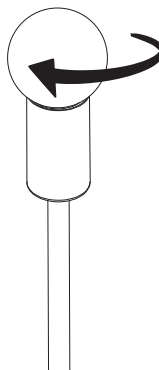




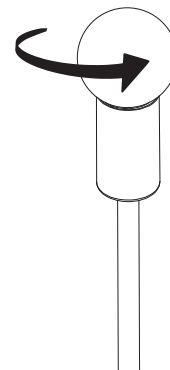
Important steps to follow when installing a glass globe



Insert bulb.

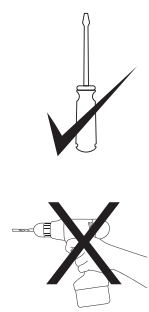
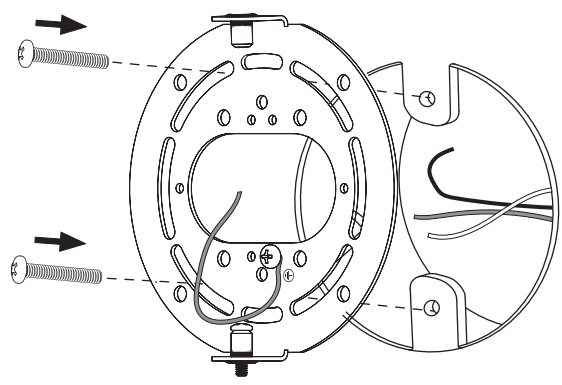


Screw in globe gently until it is tight.
Do not force the globe.

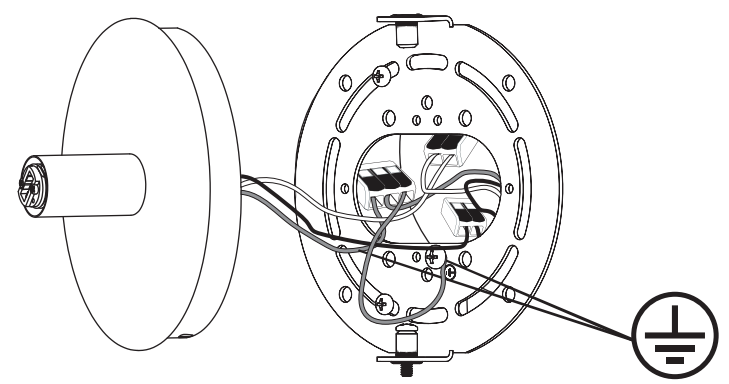


Unscrew bulb slightly 1/2 turn.

1

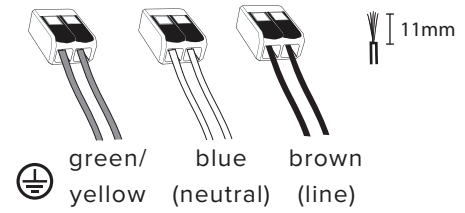


2

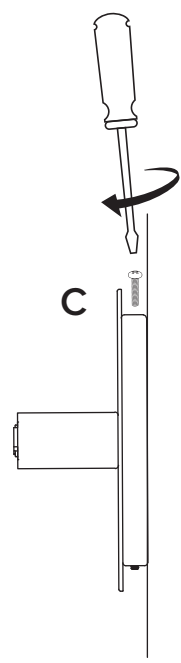
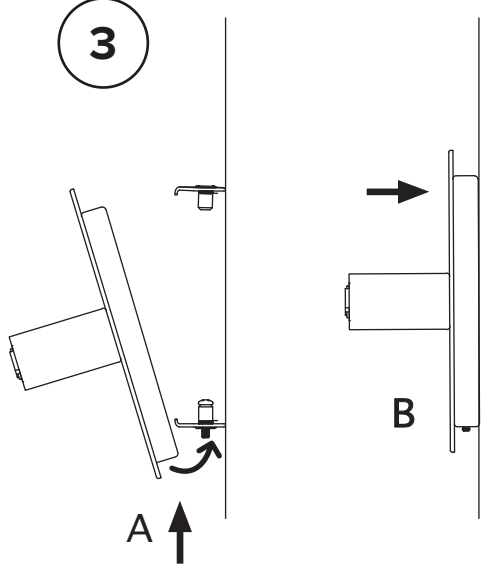


Make connection

for 220-240 V wiring



3



4

