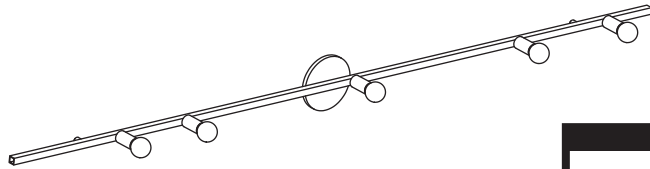
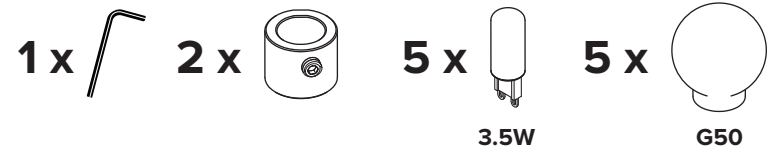
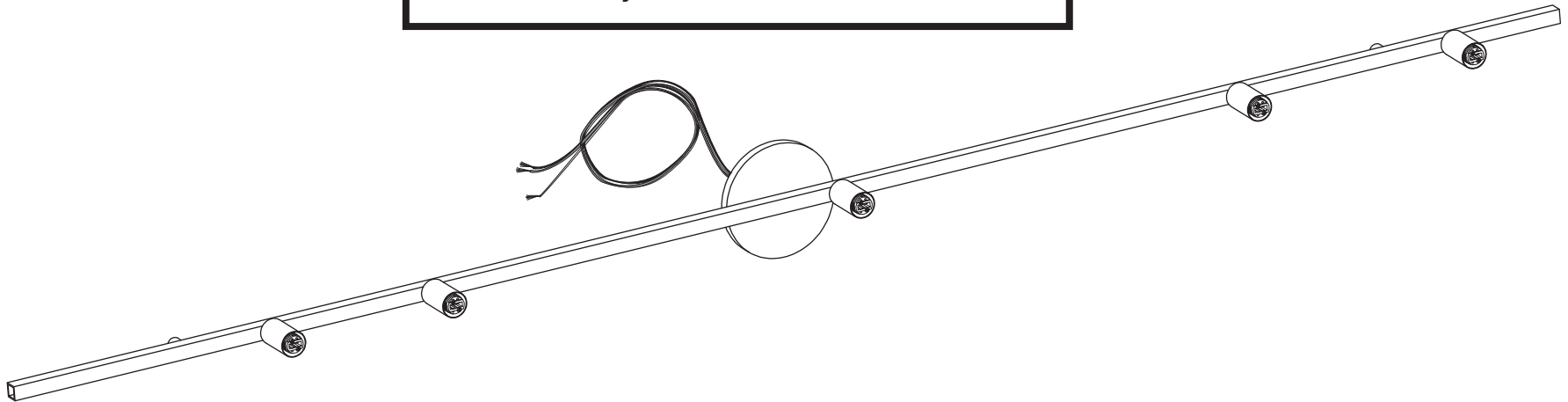


DOT LINE WALL HARDWARE

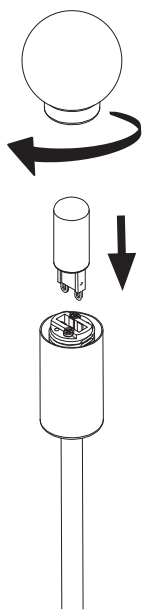


- To be installed by an electrician to an electrical box
- Use appropriate screws and anchors where necessary
- Wear enclosed gloves when handling lamp
- Handle materials with care. Please consult lamp maintenance sheet on our web sit
- Should be used exclusively as a lamp and not as a shelving, display or hanging unit
- Wall mount only

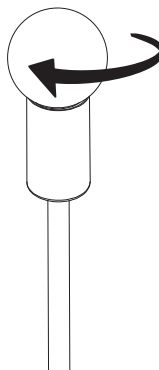




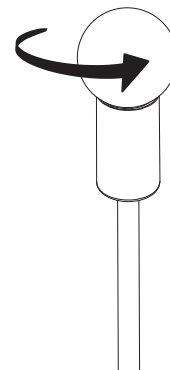
Important steps to follow when installing a glass globe



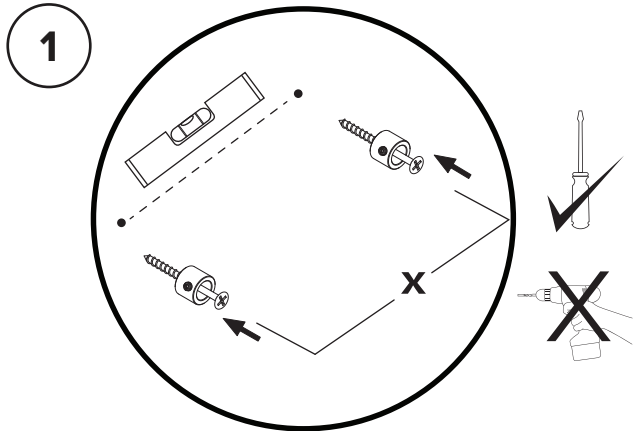
Insert bulb.



Screw in globe gently until it is tight.
Do not force the globe.

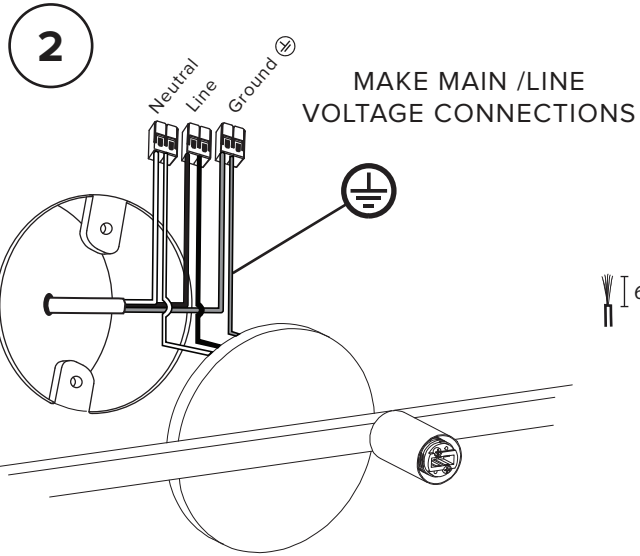


Unscrew bulb slightly 1/2 turn.

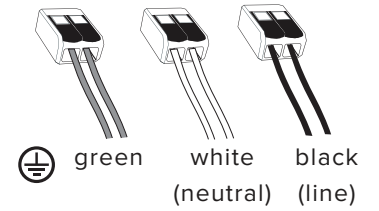


DOT10A X = 32" / 83cm
DOT10B X = 56" / 142cm

* Make sure to use appropriate screws and anchors



for 120 V wiring



for 220-240 V wiring

