







HARDWIRE



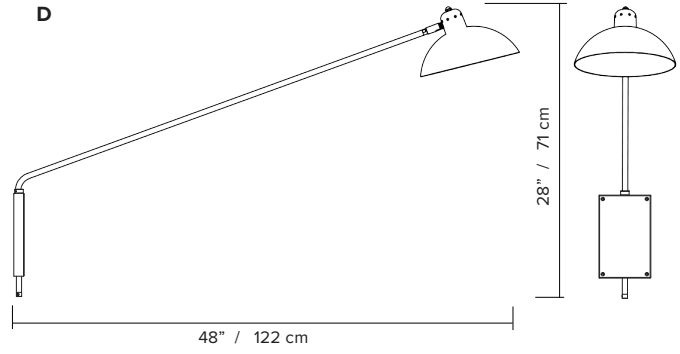
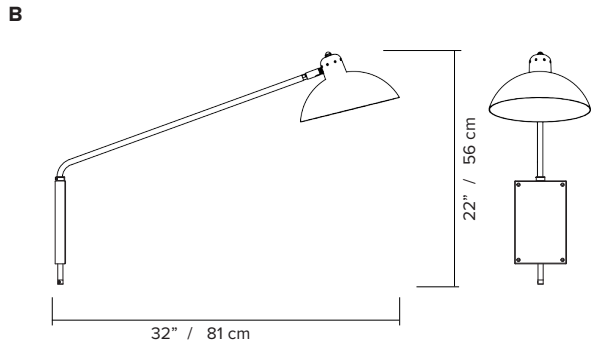
SOFTWIRE

## WALDORF WALL LARGE

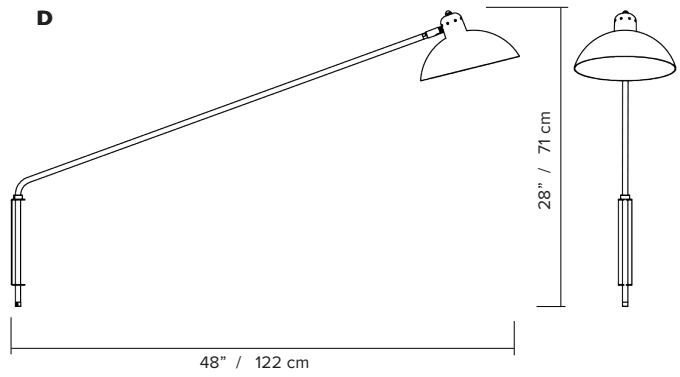
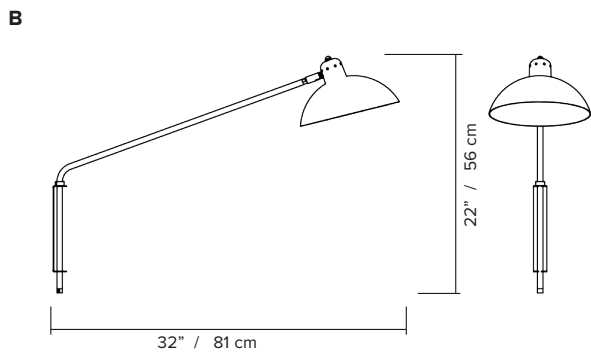
The main feature of the Waldorf Collection combines an open hemispherical shade with a cylindrical socket cover. This composite shade is deployed in suspension and wall-mounted configurations with natural brass and powder coated rods. Swivelling shades and other moving parts add functional flexibility to the crisp, streamlined forms of this collection.


- type:** wall - hardwire (HW) or softwire (SW)
- construction:** powder coated aluminium body and bracket  
powder coated steel and aluminium shade  
powder coated aluminium bracket  
milk glass globe  
vinyl cord (SW)
- specifications:** source: LED lamp provided (G9 base)  
power consumption: 4.5W  
lumen output: 133lm  
colour temperature: 2700K included  
\* 3000K available upon request  
colour rendering index: 80 CRI standard  
\* ≥ 90 CRI upon request  
expected lifetime: ≥ 25 000h
- control:** refer to our recommended list of dimmer models (HW)
- total length:** **B:** 32" / 81 cm  
**D:** 48" / 122 cm
- cord:** 96" / 244 cm, handswitch at 18" / 46 cm from lamp (SW)
- weight:** SW : starting at 1.8 lb / 0.9 kg  
HW : starting at 2.6 lb / 1.2 kg
- certifications:**     IP20
- warranty:** 2 years

## HARDWIRE



## SOFTWARE



 G60  $\varnothing$   $\pm 2$ " / 6 cm

## ORDER GUIDE: SKU

<u>COLLECTION</u>	<u>MODEL</u>	<u>INSTALLATION</u>	<u>FINISH + HARDWARE</u>	<u>CORD (SW only)</u>	<u>DIMENSIONS</u>
<b>WAL</b> waldorf	<b>06</b>	<b>HW</b>	<b>BKBR</b> black, brass	<b>BK</b> black	<b>B</b> 32" / 81 cm
		<b>SW</b>	<b>BKGR</b> black, graphite	<b>WH</b> white	<b>D</b> 48" / 122 cm
			<b>WHBR</b> white, brass		
<b>WAL</b>	<b>06</b>	<b>HW</b>	<b>BKBR</b>	<b>BK</b>	<b>A</b> = <b>WAL06HWBKBRBK</b> <b>example</b>

### FINISH



brass



graphite



flat white

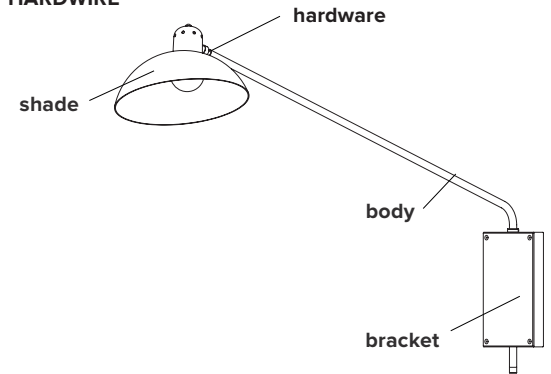


flat black

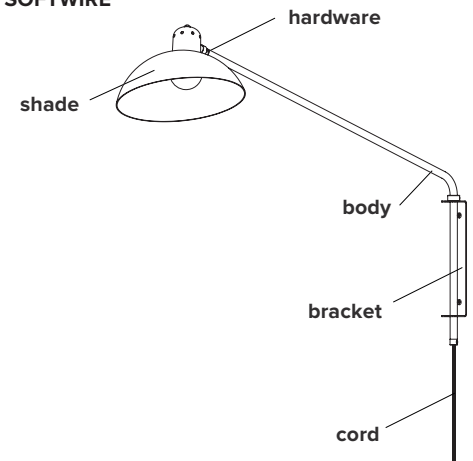
### NOTES:

- must be installed by an electrician (HW)
- shades only available in black or white, not brass
- not protected against liquids (refer to IP20)
- additional charges for modifications or for special orders
- please refer to maintenance sheet on website for cleaning instructions

### HARDWIRE



### SOFTWIRE



## DIMMER SPECIFICATIONS

### DIMMER LIST COMPATIBILITY FOR G9 LED BULBS – 120V \*HW only For Hardwire model only

The dimming technology offering the best results is ELV (electronic low voltage) dimmers with reverse phase or trailing edge control.

DIMMER BRAND	MODEL NUMBER	MIN LEVEL	MAX LEVEL	FLICKERING	OVERALL QUOTE
LUTRON - MAESTRO	MAELV-600	0%	100%	0%-10%	good
LUTRON - SKYLARK	SELV-300P	0%	100%	no	very good
LUTRON - SKYLARK	SELV-303P	0%	100%	no	very good
LUTRON - SKYLARK	CTELV-303P	0%	100%	no	very good
LUTRON - DIVA	DVELV-300P	0%	100%	no	very good
LEGRAND - ADORNE	TRUE UNIVERSAL	30%	100%	no	good

### DIMMER LIST COMPATIBILITY FOR G9 LED BULBS – 230V

DIMMER BRAND	MODEL NUMBER	MIN LEVEL	MAX LEVEL	FLICKERING	OVERALL QUOTE
VARILIGHT	V-PRO	2%	100%	no	very good
LEGRAND - NILOÉ	3 996 35	15%	87%	no	good
NIKO	310-0280X	5%	94%	no	very good
NIKO	310-0190X	1%	100%	no	very good

\*Other dimmers can yield good results and we recommend conducting your own test before final installation.

## EU ENERGY LABEL

