

IVY 3 PENDANT

FINISH

bronze with satin brass details opal glass shades
bronze with satin brass details smoked glass shades

DIMENSIONS (body of fixture)

1330 x 400 x 350 mm (w x d x h)

WEIGHT

5kg (11lbs)
please ensure ceiling structure is strong enough to support the weight of the light

OVERALL DROP

minimum 625 mm
maximum on request 3375 mm
supplied as per specifications – see page 2

ILLUMINATION

220-240v - 3 x E14 - 25w max (or 4.5w LED 2700k)
110-130v - 3 x E12 - 25w max (or 4.5w LED 2700k)

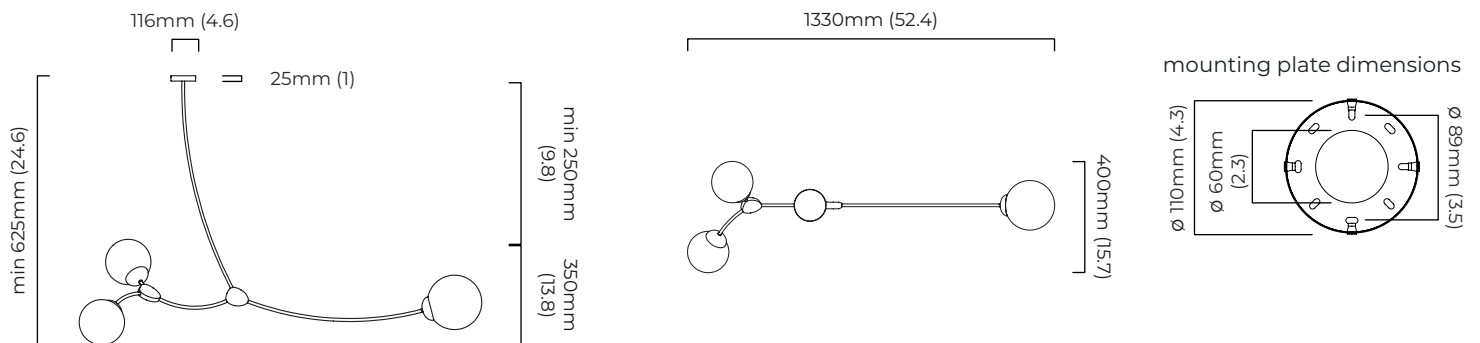
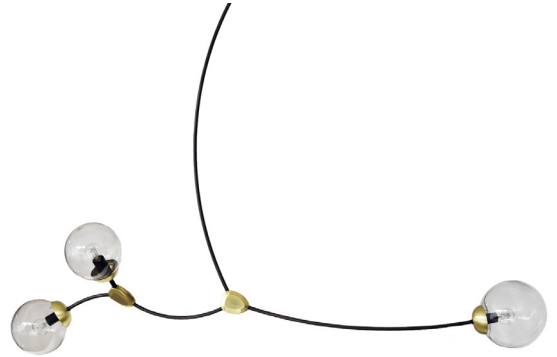
DIMMING

dimmable bulb required
trailing edge dimmable / phase cut (rotary dimmer) - standard
DALI option available (220-240v only)

CEILING ROSE / PLATE

round ceiling rose - \varnothing 116 x 25 mm (dia x h)

CERTIFICATION

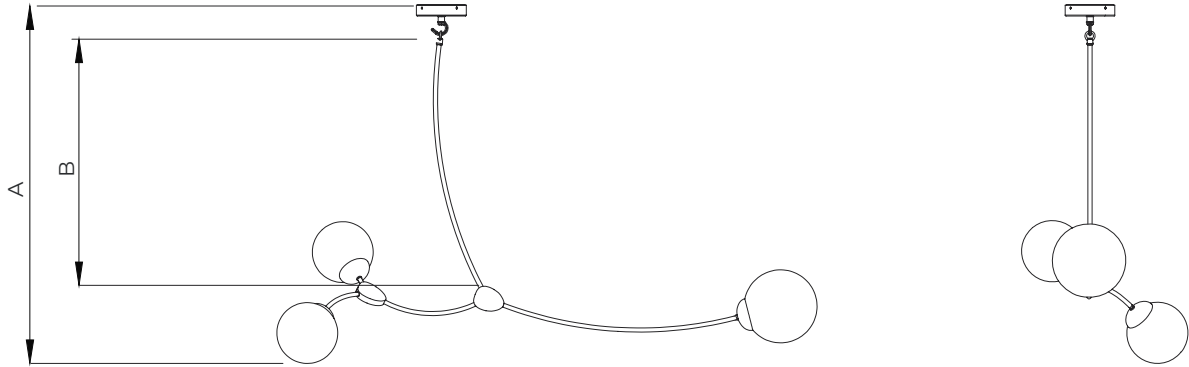


*Diagrams are not to scale.

SKU NUMBER	FINISH DESCRIPTION	VOLTAGE
IVYPE3BZOG-240	bronze with satin brass details opal glass shades	220 - 240V
IVYPE3BZSG-240	bronze with satin brass details smoked glass shades	220 - 240V
IVYPE3BZOG-110	bronze with satin brass details opal glass shades	110 - 130V
IVYPE3BZSG-110	bronze with satin brass details smoked glass shades	110 - 130V

IVY 3 PENDANT

DROP ROD CONFIGURATIONS



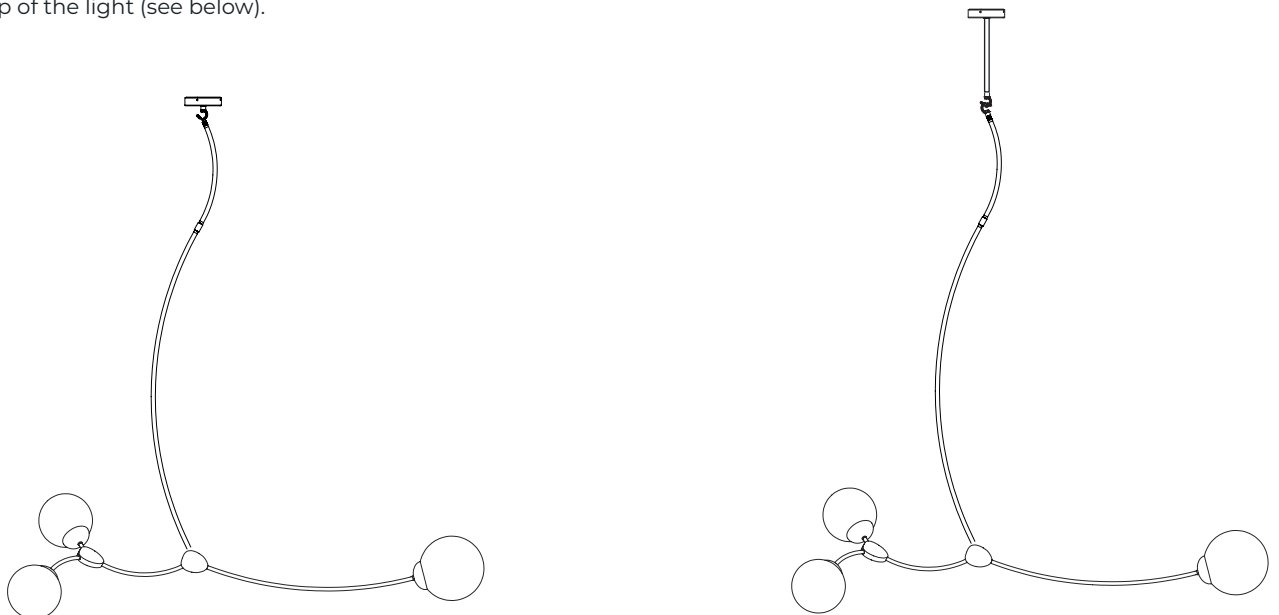
A (overall drop) mm	B (drop rod length) mm
545	250
595	300*
645	350*
695	400*
795	500*
845	550*
895	600
945	650*
1045	750*
1095	800
1145	850*
1245	950*
1295	1000*
1345	1050*

A (overall drop) inches	B (drop rod length) inches
21.5	10
23.5	12*
25	14*
27	16*
31	19*
33	22*
35	23.5
37	25.5*
41	30*
43	31.5
45	33.5*
49	37.5*
51	39*
53	41*

Important information: drop rod length can not be adjusted on site.

* Certain lengths require multiple drop rod sections to achieve the overall drop of the light (see below).

*For any light specified with overall drop more than 1480mm in total, the suspension will be consisted of a straight drop rod section and curved section (example below).



IVY 3 PENDANT - DALI-A

FINISH

bronze with satin brass details opal glass shades
bronze with satin brass details smoked glass shades

DIMENSIONS (body of fixture)

1330 x 400 x 350 mm (w x d x h)

WEIGHT

5kg (11lbs)

please ensure ceiling structure is strong enough to support the weight of the light

OVERALL DROP

minimum 625 mm

maximum on request 3375 mm

supplied as per specifications – see page 2

ILLUMINATION

220-240v - 3 x E14 - 25w max (or 4.5w LED 2700k)

DALI converter to be installed in the ceiling rose

DIMMING

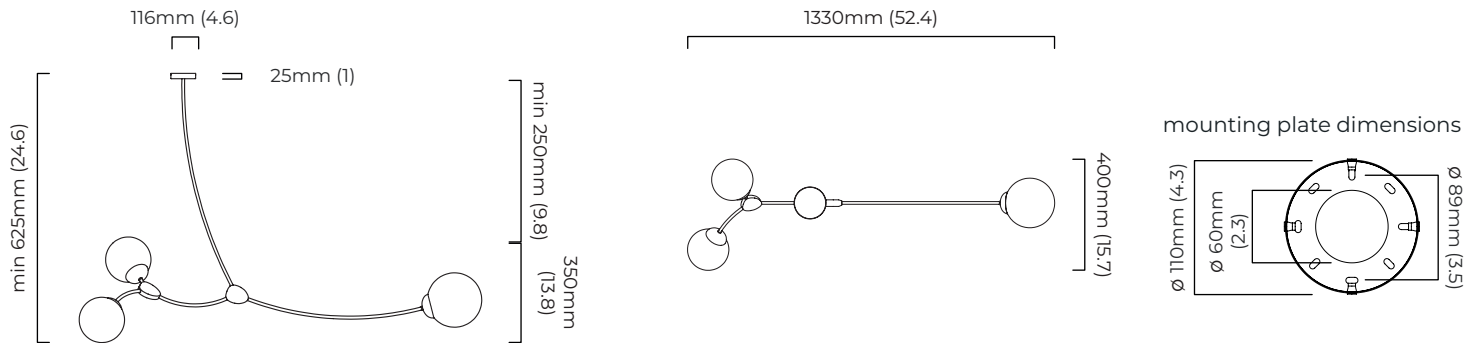
dimmable bulb required

DALI compatible

CEILING ROSE / PLATE

round ceiling rose - \varnothing 116 x 25 mm (dia x h)

CERTIFICATION



*Diagrams are not to scale.

SKU NUMBER	FINISH DESCRIPTION	TYPE OF DALI	VOLTAGE
IVYPE3BZOG-DALIA-240	bronze with satin brass details opal glass shades	DALI A included - For lights that do not require aesthetic alterations. Dali can be fitted on the existent ceiling/wall rose	220 - 240V
IVYPE3BZSG-DALIA-240	bronze with satin brass details smoked glass shades	DALI A included - For lights that do not require aesthetic alterations. Dali can be fitted on the existent ceiling/wall rose	220 - 240V

IVY 3 PENDANT - DALI-B

FINISH

bronze with satin brass details opal glass shades
bronze with satin brass details smoked glass shades

DIMENSIONS (body of fixture)

1330 x 400 x 350 mm (w x d x h)

WEIGHT

5kg (11lbs)

please ensure ceiling structure is strong enough to support the weight of the light

OVERALL DROP

minimum 635 mm

maximum on request 3385 mm

supplied as per specifications – see page 2

ILLUMINATION

220-240v - 3 x E14 - 25w max (or 4.5w LED 2700k)

DALI converter to be installed in the ceiling rose

DIMMING

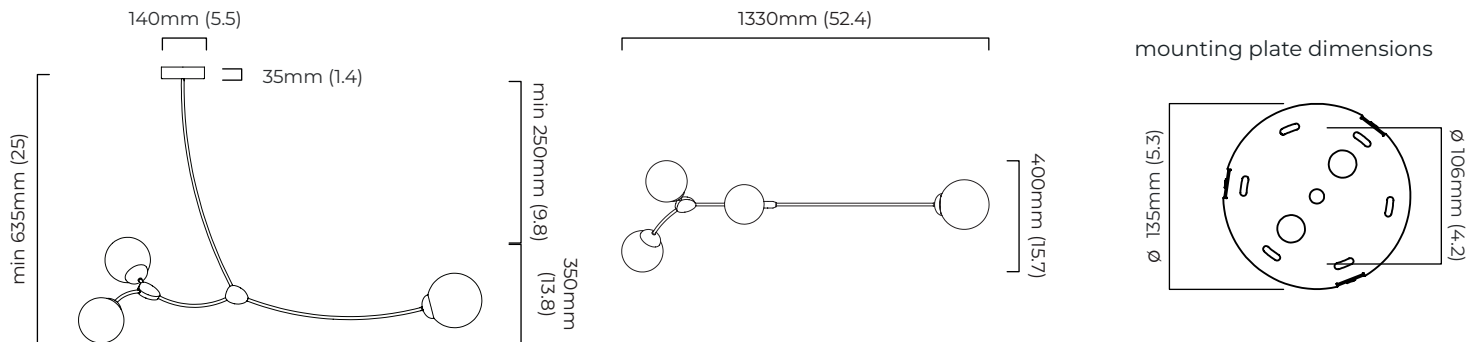
dimmable bulb required

DALI compatible

CEILING ROSE / PLATE

round ceiling rose - 140 x 35 mm (dia x h)

CERTIFICATION



*Diagrams are not to scale.

SKU NUMBER	FINISH DESCRIPTION	TYPE OF DALI	VOLTAGE
IVYPE3BZOG-DALIB-240	bronze with satin brass details opal glass shades	DALI B included - The light will feature a deeper ceiling/wall rose. For use when there is no space in the existing ceiling/wall cavity	220 - 240V
IVYPE3BZSG-DALIB-240	bronze with satin brass details smoked glass shades	DALI B included - The light will feature a deeper ceiling/wall rose. For use when there is no space in the existing ceiling/wall cavity	220 - 240V