

## RING WALL

### FINISH

bronze  
satin brass  
satin nickel

### DIMENSIONS (body of fixture)

120 x 130 x 300 mm (w x d x h)

### WEIGHT

4kg (8.8lbs)

### ILLUMINATION

220-240v - 2 x G9 - 25w max halogen (or 2.3w LED 2700k)  
110-130v - 2 x G9 - 25w max halogen (or 2.3w LED 2700k)

### DIMMING

dimnable bulb required  
trailing edge dimmable / phase cut (rotary dimmer) - standard  
DALI option available (220-240v only)

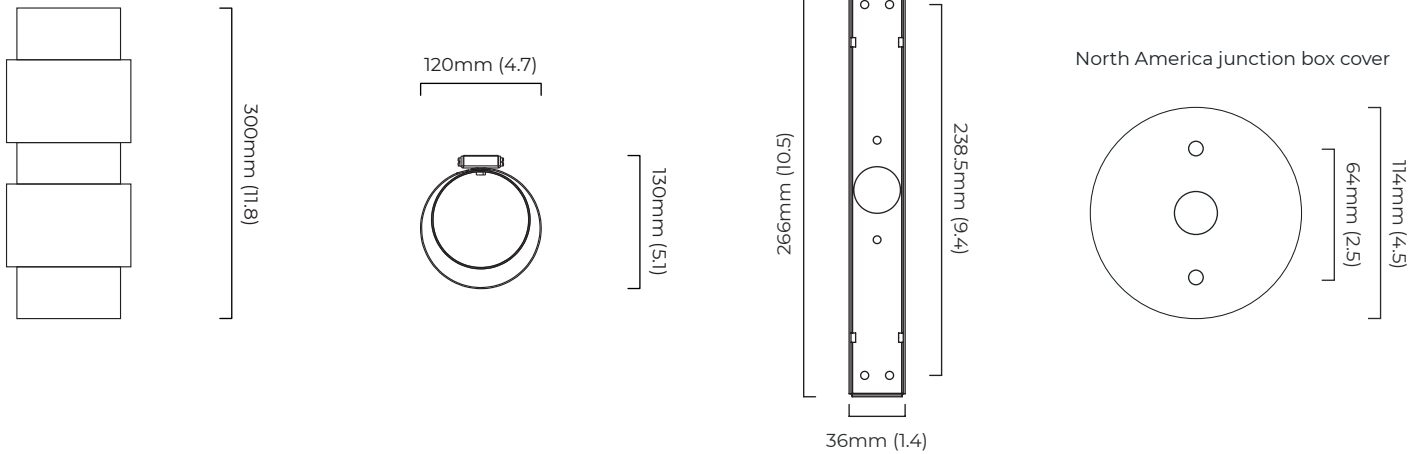
### WALL ROSE / PLATE

rectangular wall box - 40 x 15 x 270 mm (w x d x h)

### CERTIFICATION



mounting plate dimensions



\*Diagrams are not to scale.

SKU NUMBER	FINISH DESCRIPTION	VOLTAGE
RINWAOBZ-240	bronze	220 - 240V
RINWAOSB-240	satin brass	220 - 240V
RINWAOSN-240	satin nickel	220 - 240V
RINWAOBZ-110	bronze	110 - 130V
RINWAOSB-110	satin brass	110 - 130V
RINWAOSN-110	satin nickel	110 - 130V

## RING WALL - DALI-A

### FINISH

bronze  
satin brass  
satin nickel

### DIMENSIONS (body of fixture)

120 x 130 x 300 mm (w x d x h)

### WEIGHT

4kg (8.8lbs)

### ILLUMINATION

220-240v - 2 x G9 - 25w max halogen (or 2.3w LED 2700k)  
DALI converter to be installed in the cavity

### DIMMING

dimnable bulb required  
DALI compatible

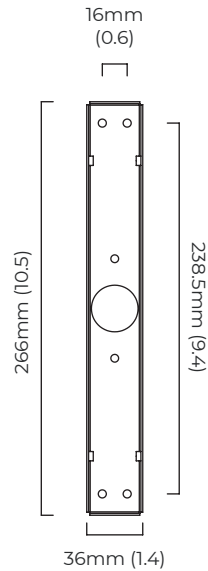
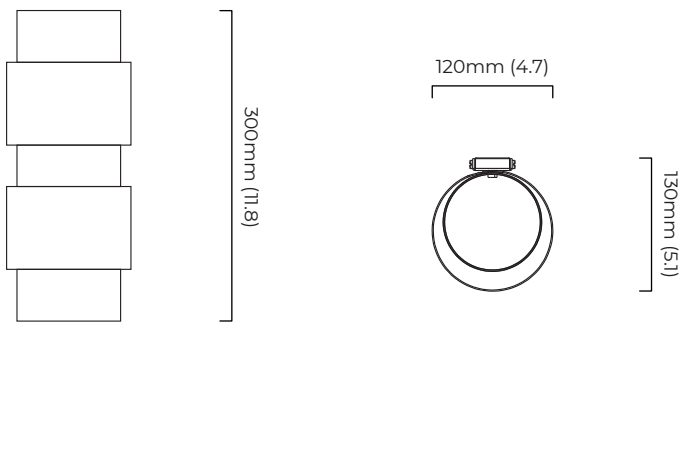
### WALL ROSE / PLATE

rectangular wall box - 40 x 15 x 270 mm (w x d x h)

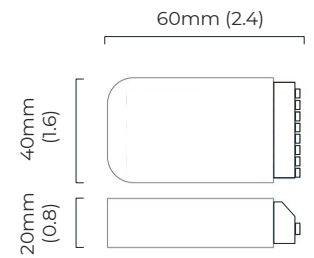
### CERTIFICATION



mounting plate dimensions



DALI converter dimensions



\*Diagrams are not to scale.

SKU NUMBER	FINISH DESCRIPTION	TYPE OF DALI	VOLTAGE
RINWAOBZ-DALIA-240	bronze	DALI A included - For lights that do not require aesthetic alterations. Dali can be fitted inside the ceiling/wall cavity	220 - 240V
RINWAOSB-DALIA-240	satin brass	DALI A included - For lights that do not require aesthetic alterations. Dali can be fitted inside the ceiling/wall cavity	220 - 240V
RINWAOSN-DALIA-240	satin nickel	DALI A included - For lights that do not require aesthetic alterations. Dali can be fitted inside the ceiling/wall cavity	220 - 240V