

TREVI PENDANT MULTI 6

FINISH

bronze with matt opal glass shades
satin brass with matt opal glass shades

DIMENSIONS (body of fixture)

640 x 1690 x 400 mm (w x d x h)

WEIGHT

7kg (15.4lbs)
please ensure ceiling structure is strong enough to support the weight of the light

OVERALL DROP

minimum 505 mm
maximum on request 6425 mm
supplied with 1000 mm drop rod

ILLUMINATION

220-240v - 6 x E14 - 25w max (or 4.5w LED 2700k)
110-130v - 6 x E12 - 25w max (or 4.5w LED 2700k)

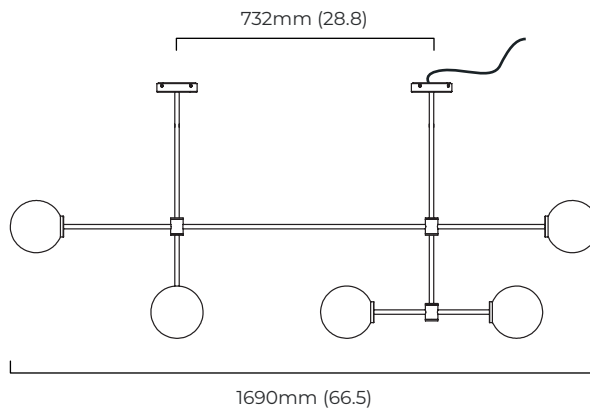
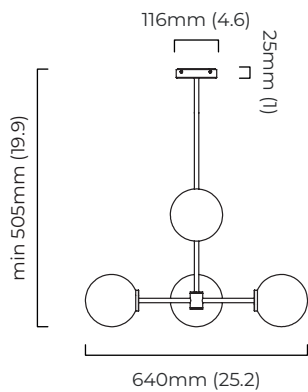
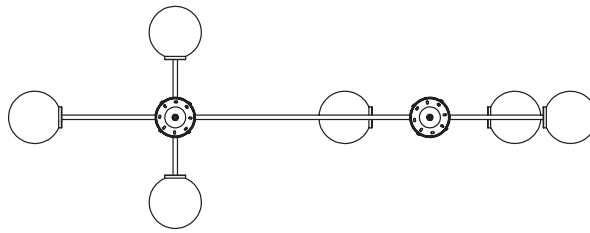
DIMMING

dimmable bulb required
trailing edge dimmable / phase cut (rotary dimmer) - standard
DALI option available (220-240v only)

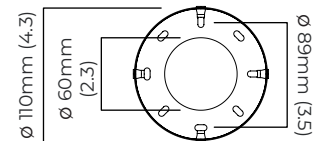
CEILING ROSE / PLATE

round ceiling rose - \varnothing 116 x 25 mm (dia x h)

CERTIFICATION



mounting plate dimensions



*Diagrams are not to scale.

SKU NUMBER	FINISH DESCRIPTION	VOLTAGE
TREPE6BZMO-240	bronze with matt opal shade	220 - 240V
TREPE6SBMO-240	satin brass with matt opal shade	220 - 240V
TREPE6BZMO-110	bronze with matt opal shade	110 - 130V
TREPE6SBMO-110	satin brass with matt opal shade	110 - 130V

TREVI PENDANT MULTI 6 - DALI-A

FINISH

bronze with matt opal glass shades
satin brass with matt opal glass shades

DIMENSIONS (body of fixture)

640 x 1690 x 400 mm (w x d x h)

WEIGHT

7kg (15.4lbs)

please ensure ceiling structure is strong enough to support the weight of the light

OVERALL DROP

minimum 505 mm

maximum on request 6425 mm

supplied with 1000 mm drop rod

ILLUMINATION

220-240v - 6 x E14 - 25w max (or 4.5w LED 2700k)

DALI converter to be installed in the cavity

DIMMING

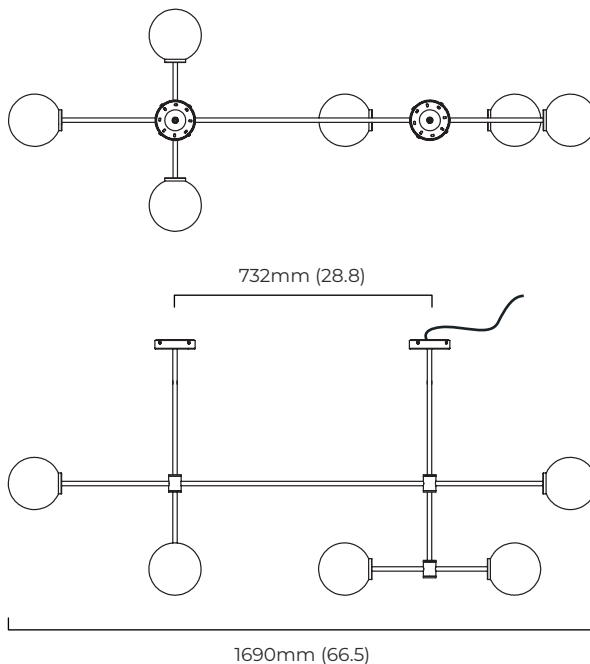
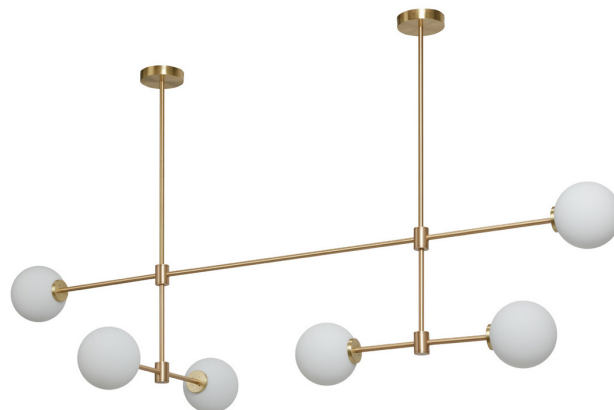
dimmable bulb required

DALI compatible

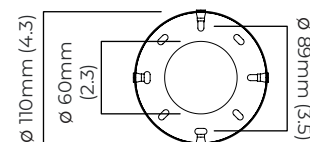
CEILING ROSE / PLATE

round ceiling rose - \varnothing 116 x 25 mm (dia x h)

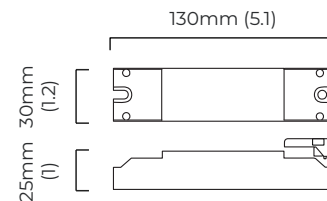
CERTIFICATION



mounting plate dimensions



DALI converter dimensions



*Diagrams are not to scale.

SKU NUMBER	FINISH DESCRIPTION	TYPE OF DALI	VOLTAGE
TREPE6BZMO-DALIA-240	bronze with matt opal shade	DALI A included - For lights that do not require aesthetic alterations. Dali can be fitted inside the ceiling/wall cavity	220 - 240V
TREPE6SBMO-DALIA-240	satin brass with matt opal shade	DALI A included - For lights that do not require aesthetic alterations. Dali can be fitted inside the ceiling/wall cavity	220 - 240V

TREVI PENDANT MULTI 6 - DALI-B

FINISH

bronze with matt opal glass shades
satin brass with matt opal glass shades

DIMENSIONS (body of fixture)

640 x 1690 x 400 mm (w x d x h)

WEIGHT

7kg (15.4lbs)

please ensure ceiling structure is strong enough to support the weight of the light

OVERALL DROP

minimum 515 mm

maximum on request 6435 mm

supplied with 1000 mm drop rod

ILLUMINATION

220-240v - 6 x E14 - 25w max (or 4.5w LED 2700k)

DALI converter to be installed in the ceiling rose

DIMMING

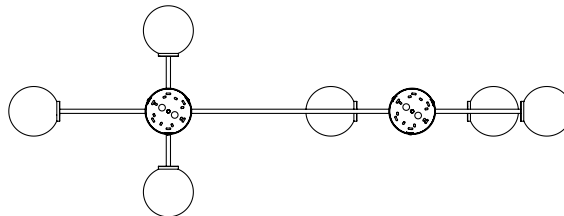
dimmable bulb required

DALI compatible

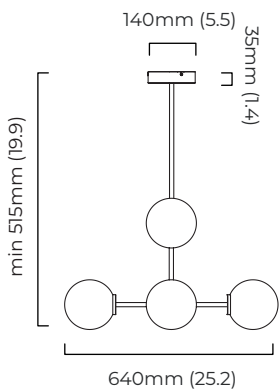
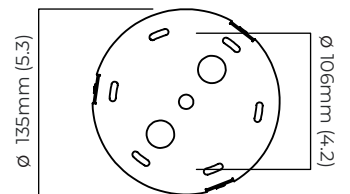
CEILING ROSE / PLATE

round ceiling rose - \varnothing 140 x 35 mm (dia x h)

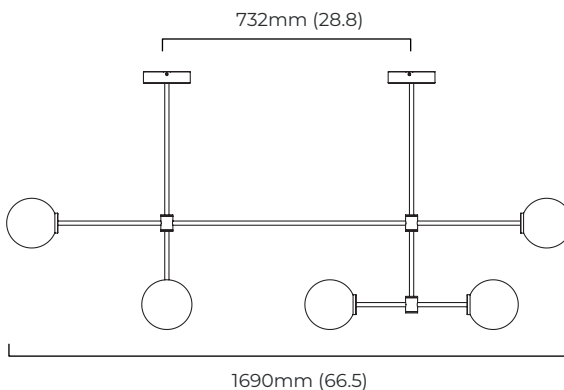
CERTIFICATION



mounting plate dimensions



min 130mm
(5.1)



1690mm (66.5)

*Diagrams are not to scale.

SKU NUMBER	FINISH DESCRIPTION	TYPE OF DALI	VOLTAGE
TREPE6BZMO-DALIB-240	bronze with matt opal shade	DALI B included - The light will feature a deeper ceiling/wall rose. For use when there is no space in the existing ceiling/wall cavity	220 - 240V
TREPE6SBMO-DALIB-240	satin brass with matt opal shade	DALI B included - The light will feature a deeper ceiling/wall rose. For use when there is no space in the existing ceiling/wall cavity	220 - 240V