

## TREVI PENDANT MULTI 10

### FINISH

bronze with matt opal glass shades  
satin brass with matt opal glass shades

### DIMENSIONS (body of fixture)

640 x 1690 x 640 mm (w x d x h)

### WEIGHT

9.5kg (20.9lbs)

please ensure ceiling structure is strong enough to support the weight of the light

### OVERALL DROP

minimum 745 mm

maximum on request 6665 mm

supplied with 1000 mm drop rod

### ILLUMINATION

220-240v - 10 x E14 - 25w max (or 4.5w LED 2700k)

110-130v - 10 x E12 - 25w max (or 4.5w LED 2700k)

### DIMMING

dimmable bulb required

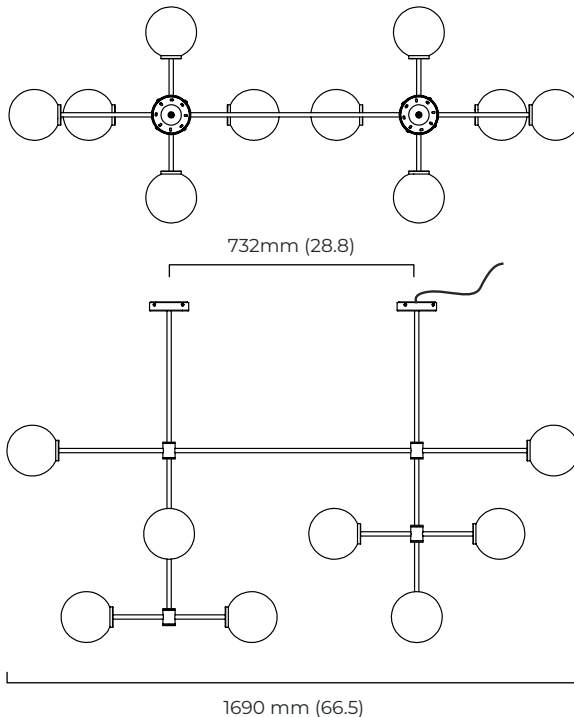
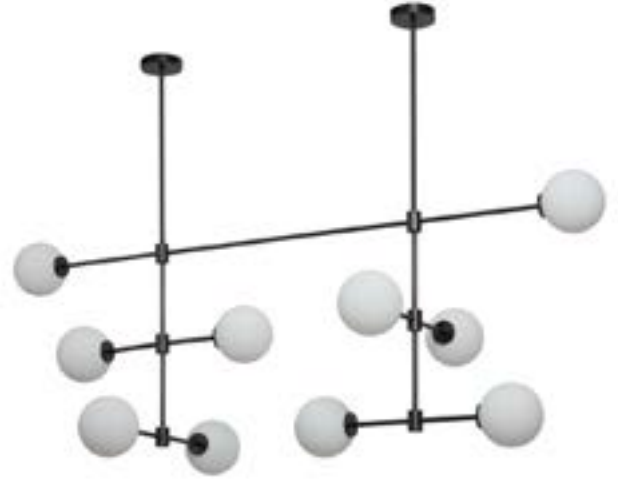
trailing edge dimmable / phase cut (rotary dimmer) - standard

DALI option available (220-240v only)

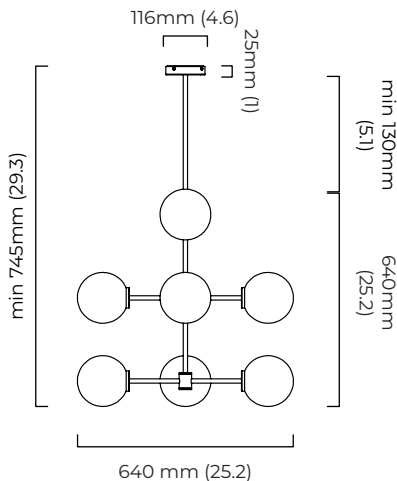
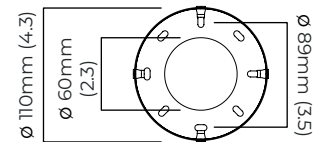
### CEILING ROSE / PLATE

round ceiling rose -  $\varnothing$  116 x 25 mm (dia x h)

### CERTIFICATION



mounting plate dimensions



\*Diagrams are not to scale.

SKU NUMBER	FINISH DESCRIPTION	VOLTAGE
TREPE1BZMO-240	bronze with matt opal shade	220 - 240V
TREPE1SBMO-240	satin brass with matt opal shade	220 - 240V
TREPE1BZMO-110	bronze with matt opal shade	110 - 130V
TREPE1SBMO-110	satin brass with matt opal shade	110 - 130V

## TREVI PENDANT MULTI 10 - DALI-A

### FINISH

bronze with matt opal glass shades  
satin brass with matt opal glass shades

### DIMENSIONS (body of fixture)

640 x 1690 x 640 mm (w x d x h)

### WEIGHT

9.5kg (20.5 lbs)

please ensure ceiling structure is strong enough to support the weight of the light

### OVERALL DROP

minimum 745 mm

maximum on request 6665 mm

supplied with 1000 mm drop rod

### ILLUMINATION

220-240v - 10 x E14 - 25w max (or 4.5w LED 2700k)

DALI converter to be installed in the cavity

### DIMMING

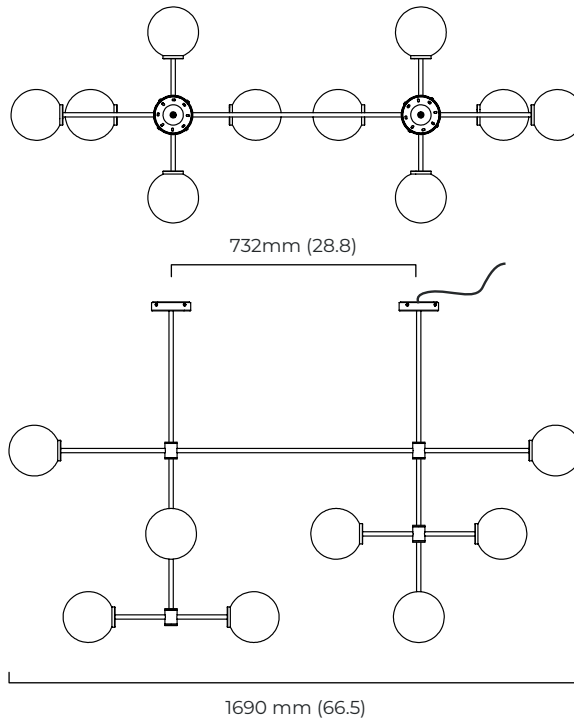
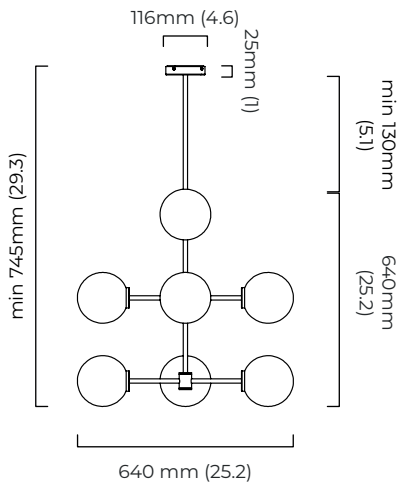
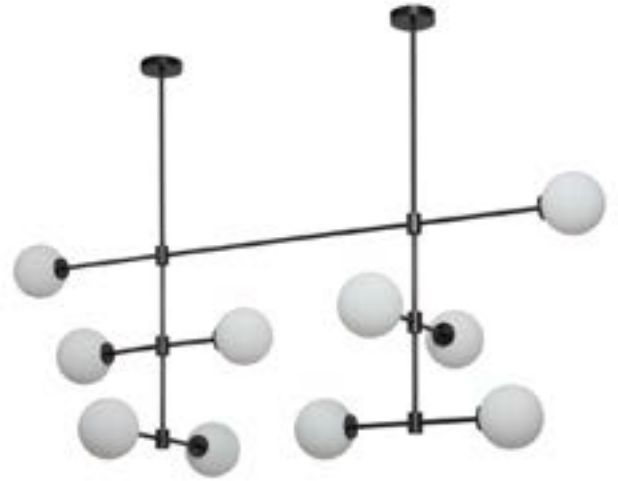
dimmable bulb required

DALI compatible

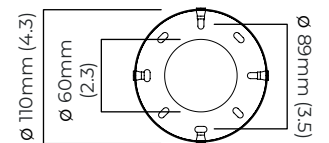
### CEILING ROSE / PLATE

round ceiling rose -  $\varnothing$  116 x 25 mm (dia x h)

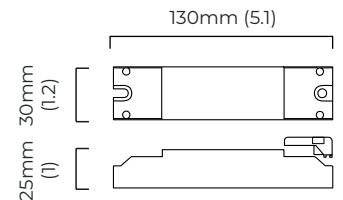
### CERTIFICATION



mounting plate dimensions



DALI converter dimensions



\*Diagrams are not to scale.

SKU NUMBER	FINISH DESCRIPTION	TYPE OF DALI	VOLTAGE
TREPE1BZMO-DALIA-240	bronze with matt opal shade	DALI A included - For lights that do not require aesthetic alterations. Dali can be fitted inside the ceiling/wall cavity	220 - 240V
TREPE1SBMO-DALIA-240	satin brass with matt opal shade	DALI A included - For lights that do not require aesthetic alterations. Dali can be fitted inside the ceiling/wall cavity	220 - 240V

## TREVI PENDANT MULTI 10 - DALI-B

### FINISH

bronze with matt opal glass shades  
satin brass with matt opal glass shades

### DIMENSIONS (body of fixture)

640 x 1690 x 640 mm (w x d x h)

### WEIGHT

9.5kg (20.5 lbs)

please ensure ceiling structure is strong enough to support the weight of the light

### OVERALL DROP

minimum 755 mm

maximum on request 6675 mm

supplied with 1000 mm drop rod

### ILLUMINATION

220-240v - 10 x E14 - 25w max (or 4.5w LED 2700k)

DALI converter to be installed in the ceiling rose

### DIMMING

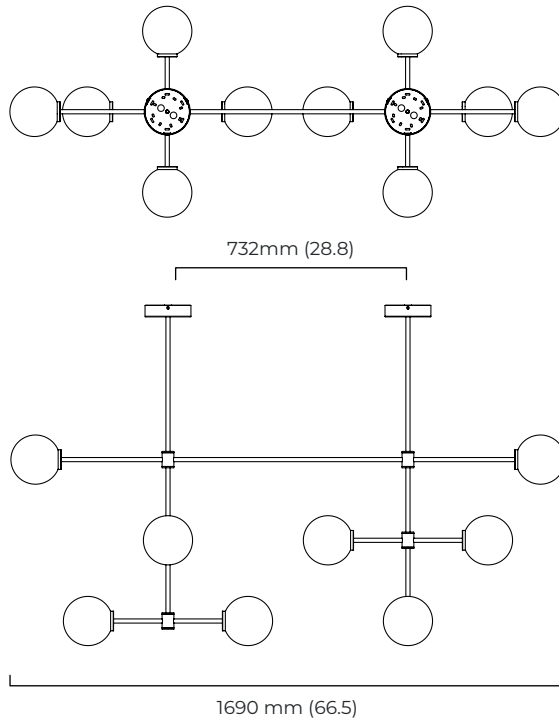
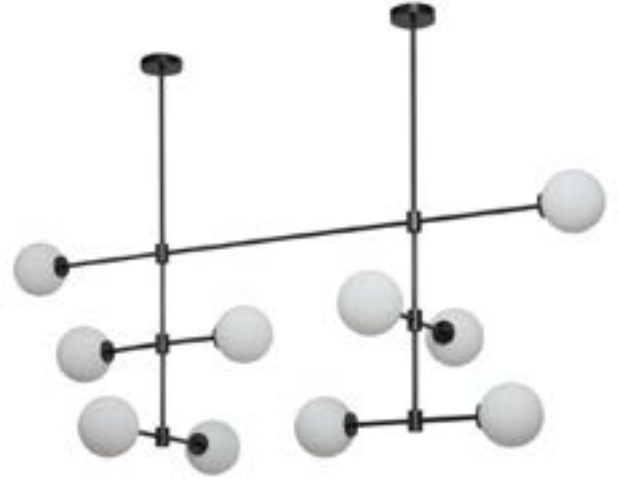
dimmable bulb required

DALI compatible

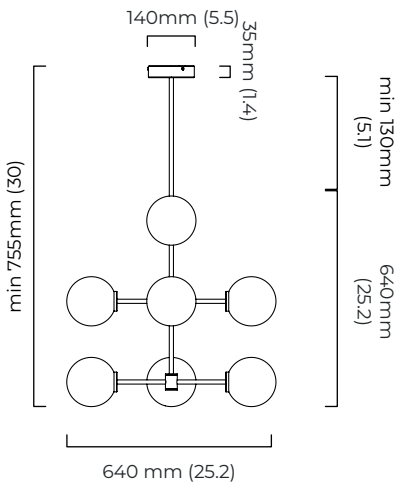
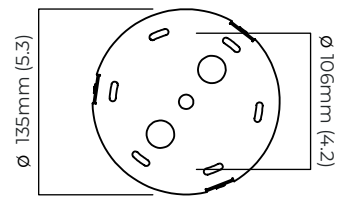
### CEILING ROSE / PLATE

round ceiling rose -  $\varnothing$  140 x 35 mm (dia x h)

### CERTIFICATION



mounting plate dimensions



\*Diagrams are not to scale.

SKU NUMBER	FINISH DESCRIPTION	TYPE OF DALI	VOLTAGE
TREPE1BZMO-DALIB-240	bronze with matt opal shade	DALI B included - The light will feature a deeper ceiling/wall rose. For use when there is no space in the existing ceiling/wall cavity	220 - 240V
TREPE1SBMO-DALIB-240	satin brass with matt opal shade	DALI B included - The light will feature a deeper ceiling/wall rose. For use when there is no space in the existing ceiling/wall cavity	220 - 240V