

## AVALON CHANDELIER HALO X-LARGE CEILING MOUNTING PLATE

### FINISH

satin brass finish with alabaster  
bronze finish with alabaster

### DIMENSIONS (body of fixture)

ø 1010 x 70 mm (dia x h)  
ø 1300 x 70 mm (dia x h)

### WEIGHT

75kg (165.3lbs)  
please ensure ceiling structure is strong enough to support the weight of the light

### OVERALL DROP

minimum 785 mm  
maximum on request 5080 mm  
supplied with 2500 mm suspension cables

### ILLUMINATION

220-240v - integrated LED - 67w + 89w - 2700k  
110-130v - integrated LED - 67w + 89w - 2700k  
2 x LED drivers to be installed in the ceiling cavity  
drivers must be installed up to 20 meters from the body of the light

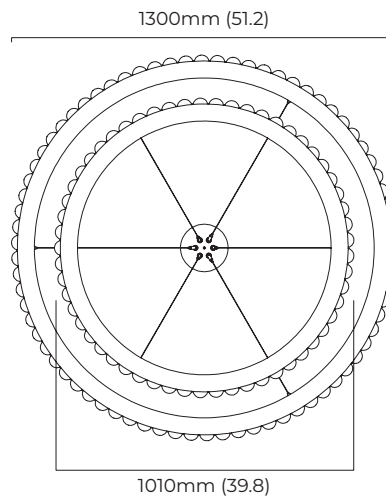
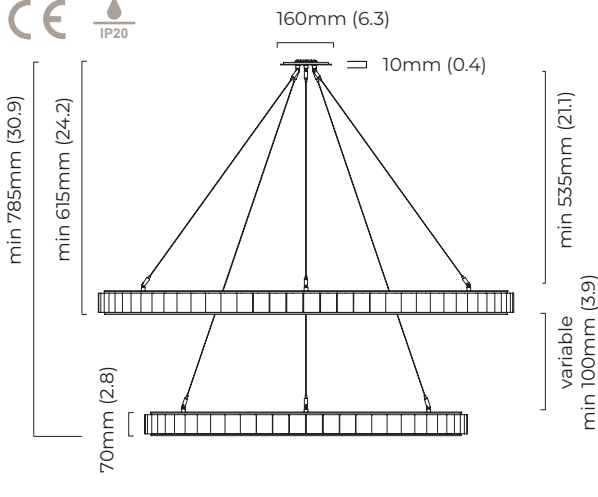
### DIMMING

trailing dimmable / phase cut (rotary dimmer) - standard  
DALI option available (220-240v only)  
0/1-10v (220-240v or 110-130v) - on request

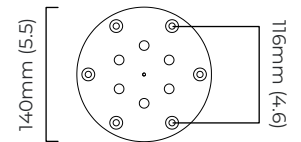
### CEILING ROSE / PLATE

round ceiling plate - ø 160 x 10 mm (dia x h)

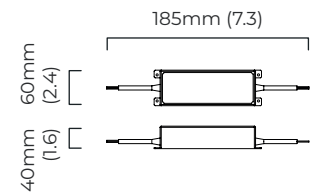
### CERTIFICATION



### mounting plate dimensions



### LED driver dimensions



\*Diagrams are not to scale.

SKU NUMBER	FINISH DESCRIPTION	VOLTAGE
AVACH2BZHA-CM-240	bronze finish with alabaster	220 - 240V
AVACHLSBHA-CM-240	satin brass finish with alabaster	220 - 240V
AVACH2BZHA-CM-110	bronze finish with alabaster	110 - 130V
AVACHLSBHA-CM-110	satin brass finish with alabaster	110 - 130V

## AVALON CHANDELIER HALO X-LARGE CEILING ROSE

### FINISH

satin brass finish with alabaster  
bronze finish with alabaster

### DIMENSIONS (body of fixture)

ø 1010 x 70 mm (dia x h)  
ø 1300 x 70 mm (dia x h)

### WEIGHT

76kg (167.6lbs)  
please ensure ceiling structure is strong enough to support the weight of the light

### OVERALL DROP

minimum 840 mm  
maximum on request 5135 mm  
supplied with 2500 mm suspension cables

### ILLUMINATION

220-240v - integrated LED - 67w + 89w - 2700k  
2 x LED drivers to be installed in the ceiling rose

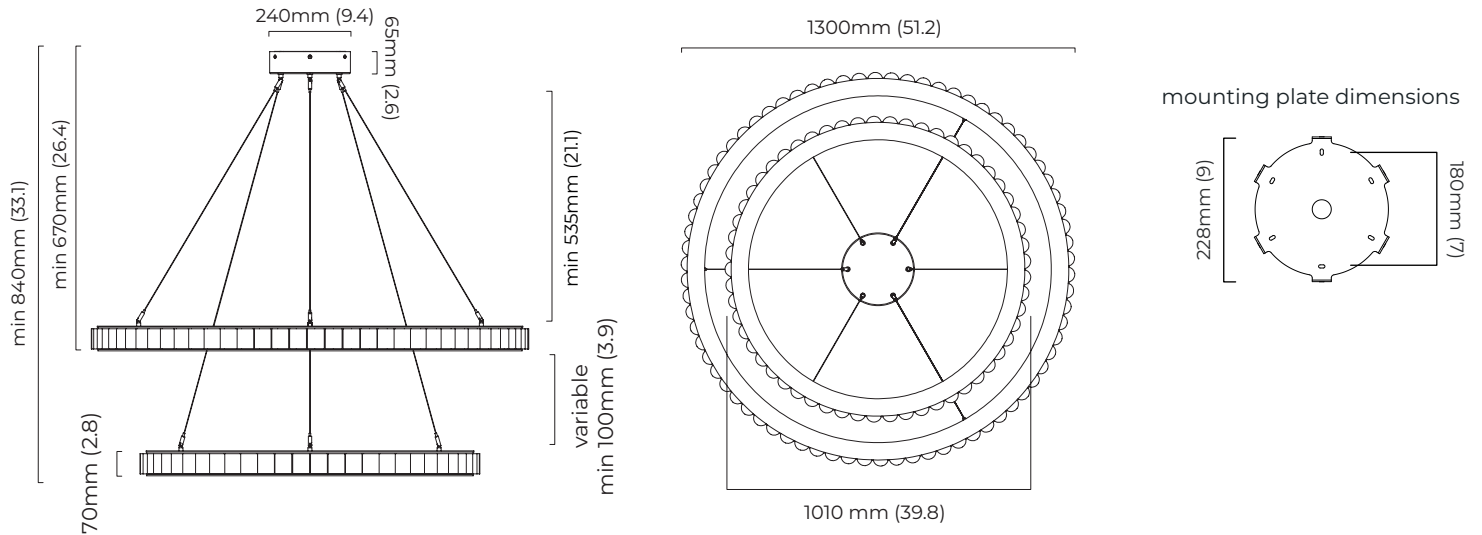
### DIMMING

trailing dimmable / phase cut (rotary dimmer) - standard  
DALI option available (220-240v only)  
0/1-10v (220-240v or 110-130v) - on request

### CEILING ROSE / PLATE

round ceiling rose - ø 240 x 65 mm (dia x h)

### CERTIFICATION



\*Diagrams are not to scale.

SKU NUMBER	FINISH DESCRIPTION	VOLTAGE
AVACH2BZHA-CR-240	bronze finish with alabaster	220 - 240V
AVACH2SBHA-CR-240	satin brass finish with alabaster	220 - 240V
AVACH2BZHA-CR-110	bronze finish with alabaster	110 - 130V
AVACH2SBHA-CR-110	satin brass finish with alabaster	110 - 130V

## AVALON CHANDELIER HALO X-LARGE CEILING MOUNTING PLATE - DALI A

### FINISH

satin brass finish with alabaster  
bronze finish with alabaster

### DIMENSIONS (body of fixture)

ø 1010 x 70 mm (dia x h)  
ø 1300 x 70 mm (dia x h)

### WEIGHT

75kg (165.3lbs)  
please ensure ceiling structure is strong enough to support the weight of the light

### OVERALL DROP

minimum 785 mm  
maximum on request 5080 mm  
supplied with 2500 mm suspension cables

### ILLUMINATION

220-240v - integrated LED - 67w + 89w - 2700k  
2 x DALI LED drivers to be installed in the ceiling cavity  
drivers must be installed up to 20 meters from the body of the light

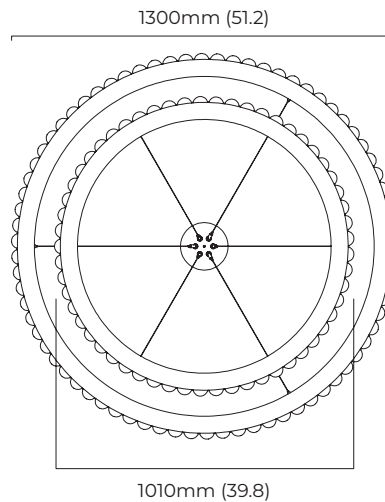
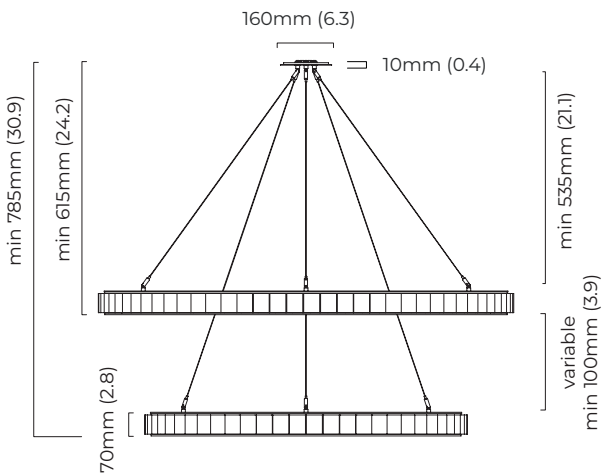
### DIMMING

DALI compatible

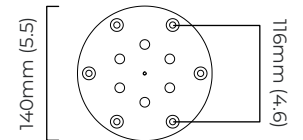
### CEILING ROSE / PLATE

round ceiling plate - ø 160 x 10 mm (dia x h)

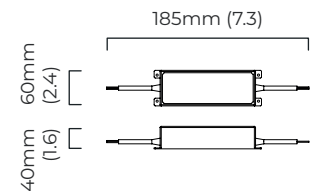
### CERTIFICATION



mounting plate dimensions



DALI LED driver dimensions



\*Diagrams are not to scale.

SKU NUMBER	FINISH DESCRIPTION	TYPE OF DALI	VOLTAGE
AVACH2BZHA-CM-DALIA-240	bronze finish with alabaster	DALI A included - For lights that do not require aesthetic alterations. Dali can be fitted inside the ceiling/wall cavity	220 - 240V
AVACH2SBHA-CM-DALIA-240	satin brass finish with alabaster	DALI A included - For lights that do not require aesthetic alterations. Dali can be fitted inside the ceiling/wall cavity	220 - 240V

## AVALON CHANDELIER HALO X-LARGE CEILING ROSE - DALI A

### FINISH

satin brass finish with alabaster  
bronze finish with alabaster

### DIMENSIONS (body of fixture)

ø 1010 x 70 mm (dia x h)  
ø 1300 x 70 mm (dia x h)

### WEIGHT

76kg (167.6lbs)  
please ensure ceiling structure is strong enough to support the weight of the light

### OVERALL DROP

minimum 840 mm  
maximum on request 5135 mm  
supplied with 2500 mm suspension cables

### ILLUMINATION

integrated LED - 67w + 89w - 2700k  
2 x DALI LED drivers to be installed in the ceiling rose

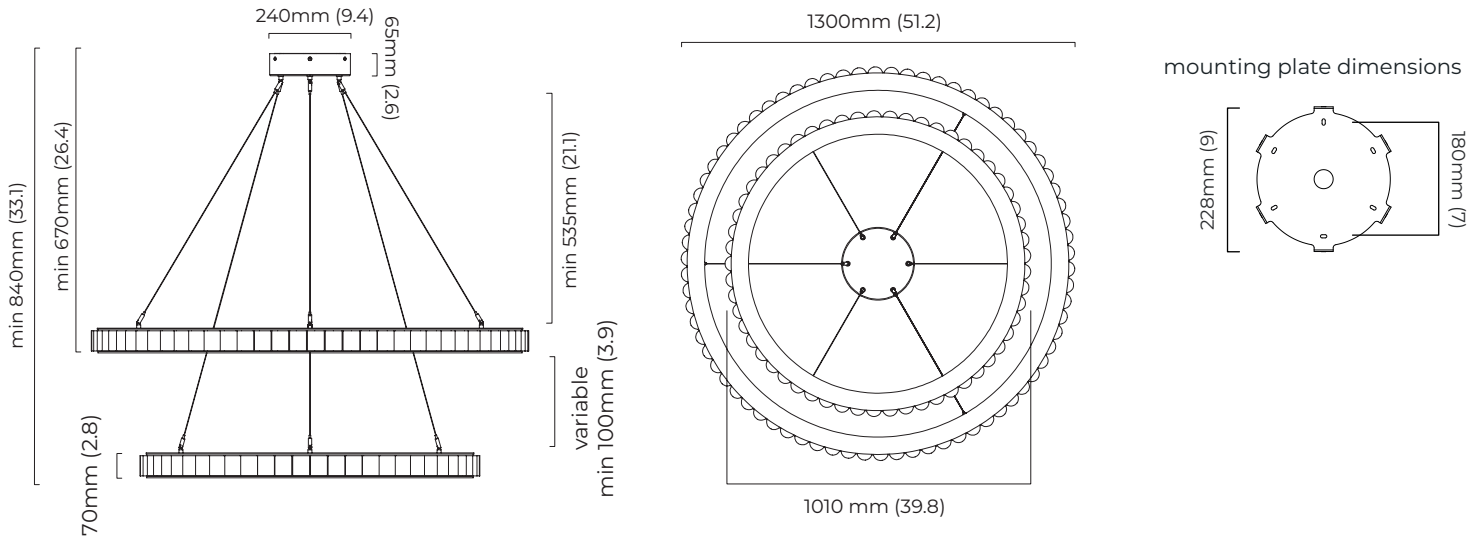
### DIMMING

Dali compatible

### CEILING ROSE / PLATE

round ceiling rose - ø 240 x 65 mm (dia x h)

### CERTIFICATION



\*Diagrams are not to scale.

SKU NUMBER	FINISH DESCRIPTION	TYPE OF DALI	VOLTAGE
AVACH2BZHA-CR-DALIA-240	bronze finish with alabaster	DALI A included - For lights that do not require aesthetic alterations. Dali can be fitted on the existent ceiling/wall rose	220 - 240V
AVACH2SBHA-CR-DALIA-240	satin brass finish with alabaster	DALI A included - For lights that do not require aesthetic alterations. Dali can be fitted on the existent ceiling/wall rose	220 - 240V