

AVALON CHANDELIER MEDIUM CEILING MOUNTING PLATE

FINISH

satin brass finish with alabaster
bronze finish with alabaster

DIMENSIONS (body of fixture)

ø 640 x 70 mm (dia x h)

WEIGHT

20kg (44.1lbs)

please ensure ceiling structure is strong enough to support the weight of the light

OVERALL DROP

minimum 325 mm

maximum on request 5080 mm

supplied with 2500 mm suspension cables

ILLUMINATION

220-240v - integrated LED - 38w - 2700k

110-130v - integrated LED - 38w - 2700k

LED driver to be installed in the ceiling cavity

drivers must be installed up to 20 meters from the body of the light

DIMMING

trailing dimmable / phase cut (rotary dimmer) - standard

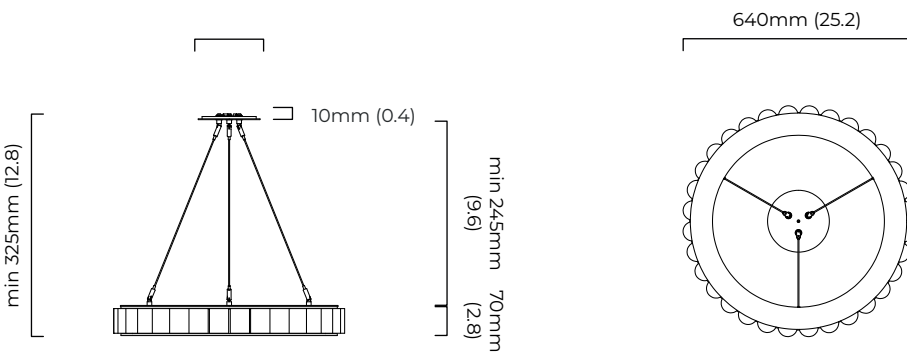
DALI option available (220-240v only)

0/1-10v (220-240v or 110-130v) - on request

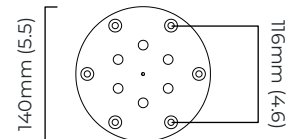
CEILING ROSE / PLATE

round ceiling plate - ø 160 x 10 mm (dia x h)

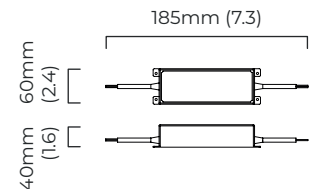
CERTIFICATION



mounting plate dimensions



LED driver dimensions



*Diagrams are not to scale.

SKU NUMBER	FINISH DESCRIPTION	VOLTAGE
AVACHMBZHA-CM-240	bronze finish with alabaster	220 - 240V
AVACHMSBHA-CM-240	satin brass finish with alabaster	220 - 240V
AVACHMBZHA-CM-110	bronze finish with alabaster	110 - 130V
AVACHMSBHA-CM-110	satin brass finish with alabaster	110 - 130V

AVALON CHANDELIER MEDIUM

FINISH

satin brass finish with alabaster
bronze finish with alabaster

DIMENSIONS (body of fixture)

ø 640 x 70 mm (dia x h)

WEIGHT

20kg (44.1lbs)

please ensure ceiling structure is strong enough to support the weight of the light

OVERALL DROP

minimum 380 mm

maximum on request 5135 mm

supplied with 2500 mm suspension cables

ILLUMINATION

220-240v - integrated LED - 38w - 2700k

110-130v - integrated LED - 38w - 2700k

LED driver to be installed in the ceiling rose

DIMMING

trailing dimmable / phase cut (rotary dimmer) - standard

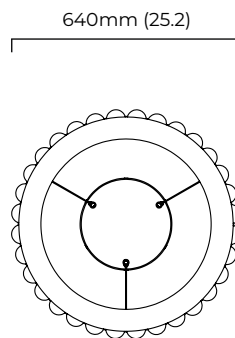
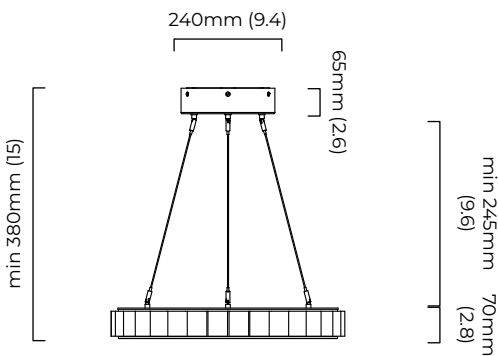
DALI option available (220-240v only)

0/1-10v (220-240v or 110-130v) - on request

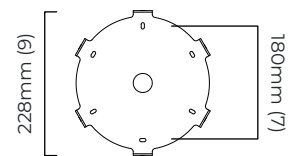
CEILING ROSE / PLATE

round ceiling rose - ø 240 x 65 mm (dia x h)

CERTIFICATION



mounting plate dimensions



*Diagrams are not to scale.

SKU NUMBER	FINISH DESCRIPTION	VOLTAGE
AVACHMBZHA-CR-240	bronze finish with alabaster	220 - 240V
AVACHMSBHA-CR-240	satin brass finish with alabaster	220 - 240V
AVACHMBZHA-CR-110	bronze finish with alabaster	110 - 130V
AVACHMSBHA-CR-110	satin brass finish with alabaster	110 - 130V

AVALON CHANDELIER MEDIUM CEILING MOUNTING PLATE - DALI A

FINISH

satin brass finish with alabaster
bronze finish with alabaster

DIMENSIONS (body of fixture)

ø 640 x 70 mm (dia x h)

WEIGHT

20kg (44.1lbs)

please ensure ceiling structure is strong enough to support the weight of the light

OVERALL DROP

minimum 325 mm

maximum on request 5080 mm

supplied with 2500 mm suspension cables

ILLUMINATION

220-240v - integrated LED - 38w - 2700k

DALI LED driver to be installed in the ceiling cavity

drivers must be installed up to 20 meters from the body of the light

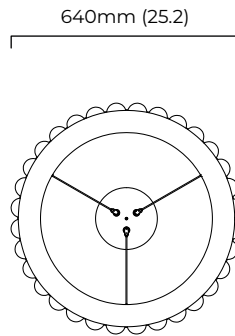
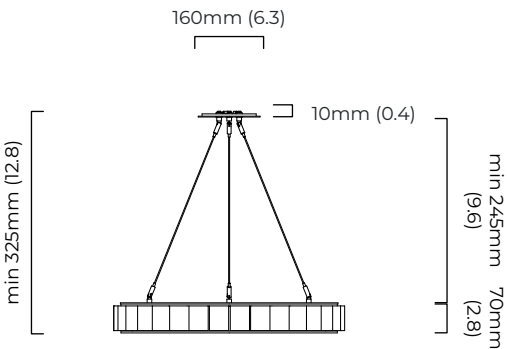
DIMMING

DALI compatible

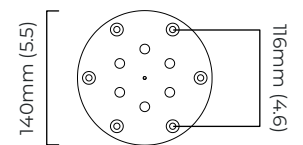
CEILING ROSE / PLATE

round ceiling plate - ø 160 x 10 mm (dia x h)

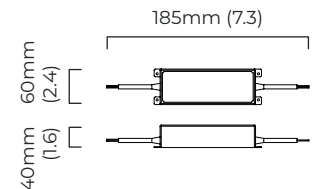
CERTIFICATION



mounting plate dimensions



DALI LED driver dimensions



*Diagrams are not to scale.

SKU NUMBER	FINISH DESCRIPTION	TYPE OF DALI	VOLTAGE
AVACHMBZHA-CM-DALIA-240	bronze finish with alabaster	DALI A included - For lights that do not require aesthetic alterations. Dali can be fitted inside the ceiling/wall cavity	220 - 240V
AVACHMSBHA-CM-DALIA-240	satin brass finish with alabaster	DALI A included - For lights that do not require aesthetic alterations. Dali can be fitted inside the ceiling/wall cavity	220 - 240V

AVALON CHANDELIER MEDIUM CEILING ROSE - DALI A

FINISH

satin brass finish with alabaster
bronze finish with alabaster

DIMENSIONS (body of fixture)

ø 640 x 70 mm (dia x h)

WEIGHT

20kg (44.1lbs)

please ensure ceiling structure is strong enough to support the weight of the light

OVERALL DROP

minimum 380 mm

maximum on request 5135 mm

supplied with 2500 mm suspension cables

ILLUMINATION

220-240v - integrated LED - 38w - 2700k

DALI LED driver to be installed in the ceiling rose

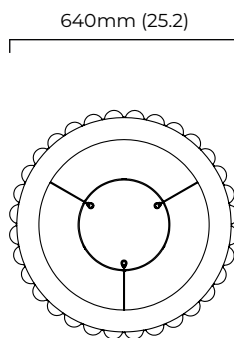
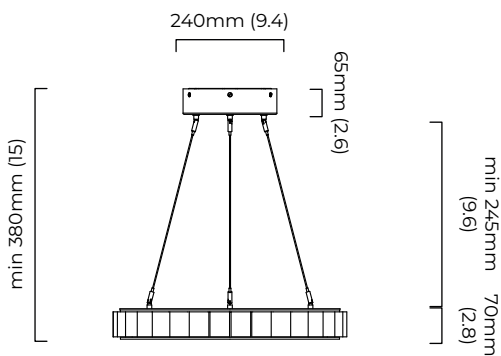
DIMMING

DALI compatible

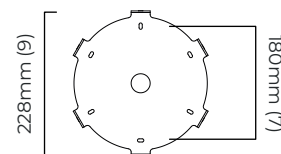
CEILING ROSE / PLATE

round ceiling rose - ø 240 x 65 mm (dia x h)

CERTIFICATION



mounting plate dimensions



*Diagrams are not to scale.

SKU NUMBER	FINISH DESCRIPTION	TYPE OF DALI	VOLTAGE
AVACHMBZHA-CR-DALIA-240	bronze finish with alabaster	DALI A included - For lights that do not require aesthetic alterations. Dali can be fitted on the existent ceiling/wall rose	220 - 240V
AVACHMSBHA-CR-DALIA-240	satin brass finish with alabaster	DALI A included - For lights that do not require aesthetic alterations. Dali can be fitted on the existent ceiling/wall rose	220 - 240V