

ANVERS PENDANT LARGE

FINISH

bronze finish with alabaster
satin brass finish with alabaster

DIMENSIONS (body of fixture)

ø 545 x 48 mm (dia x h)

WEIGHT

25kg (55.1lbs)

please ensure ceiling structure is strong enough to support the weight of the light

OVERALL DROP

minimum 108 mm

maximum on request 6088 mm

supplied with 1000 mm drop rod

ILLUMINATION

220-240v - integrated LED - 24w -3000K (modified to 2700k)

110-130v - integrated LED - 24w -3000K (modified to 2700k)

LED driver to be installed in the ceiling rose

Drivers must be installed up to 20 meters from the body of the light

DIMMING

trailing dimmable / phase cut (rotary dimmer) - standard

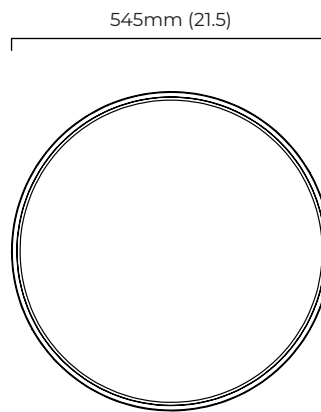
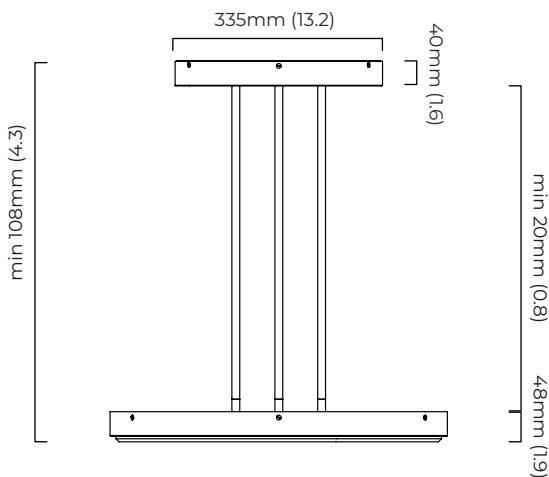
DALI option available (220-240v only)

0/1-10v (220-240v) - on request

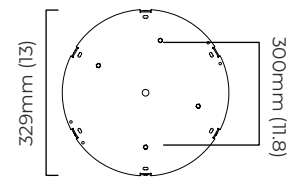
CEILING ROSE / PLATE

round ceiling rose - ø 335 x 40 mm (dia x h)

CERTIFICATION



mounting plate dimensions



*Diagrams are not to scale.

SKU NUMBER	FINISH DESCRIPTION	VOLTAGE
ANVPELBZHA-240	bronze finish with alabaster	220 - 240V
ANVPELSBHA-240	satin brass finish with alabaster	220 - 240V
ANVPELBZHA-110	bronze finish with alabaster	110 - 130V
ANVPELSBHA-110	satin brass finish with alabaster	110 - 130V

ANVERS PENDANT LARGE - DALI-A

FINISH

bronze finish with alabaster
satin brass finish with alabaster

DIMENSIONS (body of fixture)

ø 545 x 48 mm (dia x h)

WEIGHT

25kg (55.1lbs)

please ensure ceiling structure is strong enough to support the weight of the light

OVERALL DROP

minimum 108 mm

maximum on request 6088 mm

supplied with 1000 mm drop rod

ILLUMINATION

220-240v - integrated LED - 24w -3000K (modified to 2700k)

DALI LED driver to be installed in the ceiling rose

drivers must be installed up to 20 meters from the body of the light

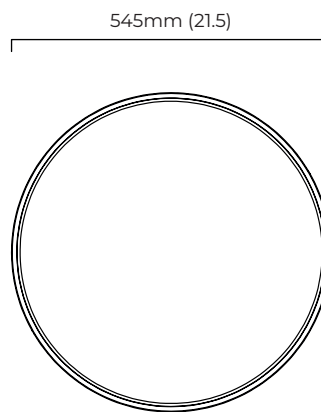
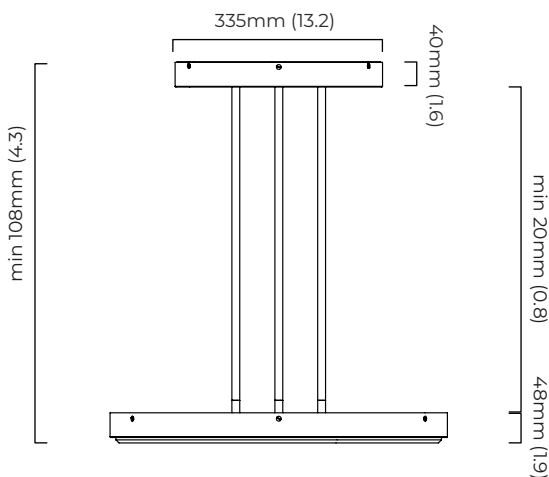
DIMMING

DALI compatible

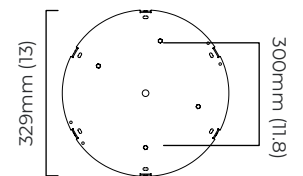
CEILING ROSE / PLATE

round ceiling rose - ø 335 x 40 mm (dia x h)

CERTIFICATION



mounting plate dimensions



*Diagrams are not to scale.

SKU NUMBER	FINISH DESCRIPTION	TYPE OF DALI	VOLTAGE
ANVPELBZHA-DALIA-240	bronze finish with alabaster	DALI A included - For lights that do not require aesthetic alterations. Dali can be fitted on existent ceiling/wall rose	220 - 240V
ANVPELSBHA-DALIA-240	satin brass finish with alabaster	DALI A included - For lights that do not require aesthetic alterations. Dali can be fitted on existent ceiling/wall rose	220 - 240V