

## MODULO PENDANT HORIZONTAL

### FINISH

bronze with smoked kiln cast glass and opal glass shades  
satin brass with smoked kiln cast glass and opal glass shades

### DIMENSIONS (body of fixture)

1880 x 120 x 100 mm (w x d x h)

### WEIGHT

11kg (24.3lbs)

please ensure ceiling structure is strong enough to support the weight of the light

### OVERALL DROP

minimum 145 mm

maximum on request 6125 mm

supplied with 1000 mm drop rod

### ILLUMINATION

220-240v - integrated mains LED - 27w - 2700k

110-130v - integrated mains LED - 27w - 2700k

### DIMMING

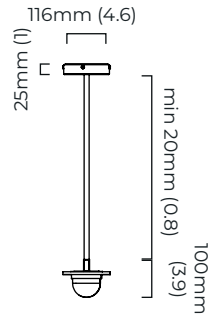
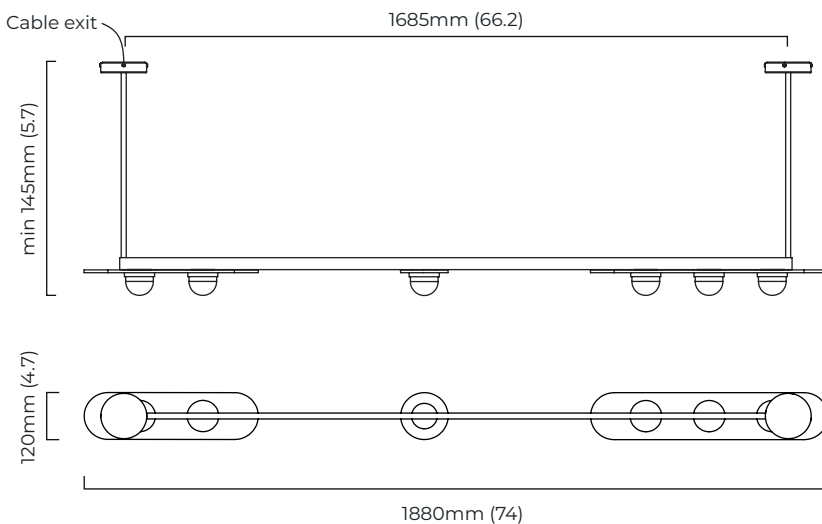
trailing edge dimmable / phase cut (rotary dimmer) - standard

DALI option available (220-240v only)

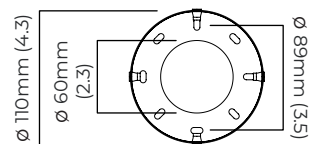
### CEILING ROSE / PLATE

round ceiling rose -  $\varnothing$  116 x 25 mm (dia x h)

### CERTIFICATION



mounting plate dimensions



\*Diagrams are not to scale.

SKU NUMBER	FINISH DESCRIPTION	VOLTAGE
MODPEHLBZSKMO-240	bronze with smoked kiln cast glass and opal glass shades	220 - 240V
MODPEHLSBSKMO-240	satin brass with smoked kiln cast glass and opal glass shades	220 - 240V
MODPEHLBZSKMO-110	bronze with smoked kiln cast glass and opal glass shades	110 - 130V
MODPEHLSBSKMO-110	satin brass with smoked kiln cast glass and opal glass shades	110 - 130V

## MODULO PENDANT HORIZONTAL - DALI-A

### FINISH

bronze with smoked kiln cast glass and opal glass shades  
satin brass with smoked kiln cast glass and opal glass shades

### DIMENSIONS (body of fixture)

1880 x 120 x 100 mm (w x d x h)

### WEIGHT

11kg (24.3lbs)

please ensure ceiling structure is strong enough to support the weight of the light

### OVERALL DROP

minimum 145 mm

maximum on request 6125 mm

supplied with 1000 mm drop rod

### ILLUMINATION

220-240v - integrated mains LED - 27w - 2700k

DALI converter to be installed in the ceiling cavity

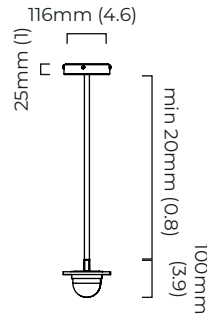
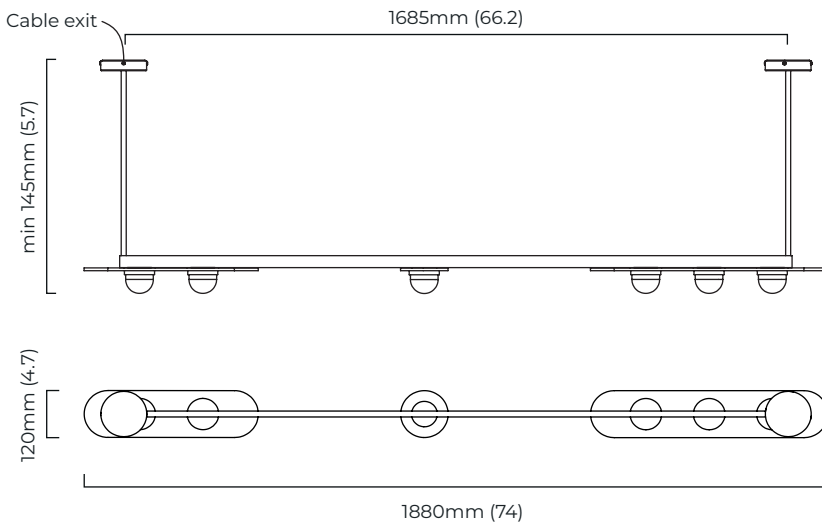
### DIMMING

DALI compatible

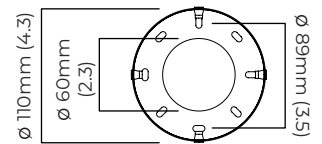
### CEILING ROSE / PLATE

round ceiling rose -  $\varnothing$  116 x 25 mm (dia x h)

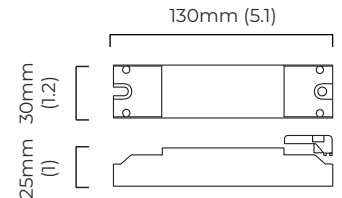
### CERTIFICATION



mounting plate dimensions



DALI converter dimensions



\*Diagrams are not to scale.

SKU NUMBER	FINISH DESCRIPTION	TYPE OF DALI	VOLTAGE
MODPEHLBZSKMO-DALIA-240	bronze with smoked kiln cast glass and opal glass shades	DALI A included - For lights that do not require aesthetic alterations. Dali can be fitted inside the ceiling/wall cavity	220 - 240V
MODPEHLSBSKMO-DALIA-240	satin brass with smoked kiln cast glass and opal glass shades	DALI A included - For lights that do not require aesthetic alterations. Dali can be fitted inside the ceiling/wall cavity	220 - 240V

## MODULO PENDANT HORIZONTAL - DALI-B

### FINISH

bronze with smoked kiln cast glass and opal glass shades  
satin brass with smoked kiln cast glass and opal glass shades

### DIMENSIONS (body of fixture)

1880 x 120 x 100 mm (w x d x h)

### WEIGHT

11kg (24.3lbs)

please ensure ceiling structure is strong enough to support the weight of the light

### OVERALL DROP

minimum 155 mm

maximum on request 6135 mm

supplied with 1000 mm drop rod

### ILLUMINATION

220-240v - integrated mains LED - 27w - 2700k

DALI converter to be installed in the ceiling rose

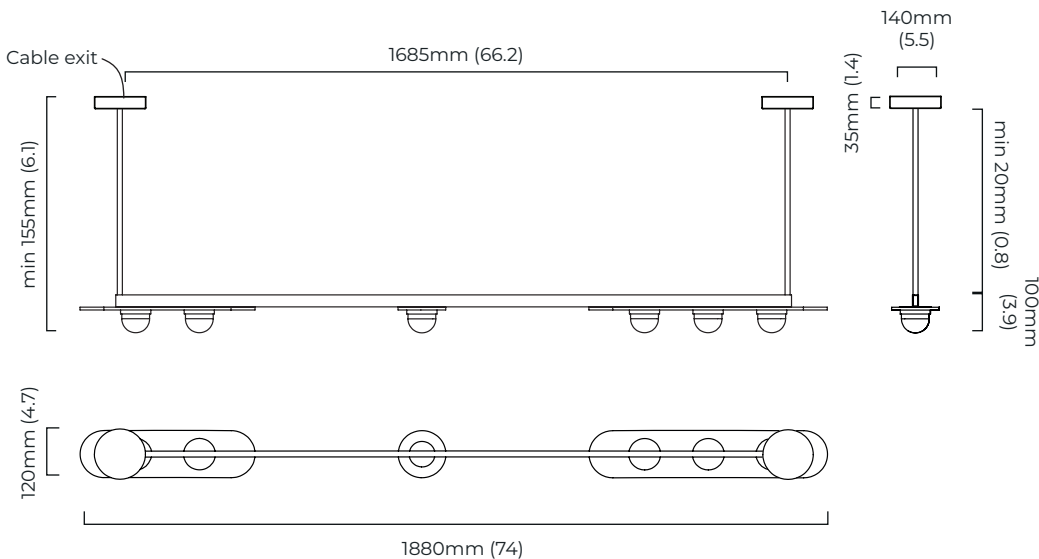
### DIMMING

DALI compatible

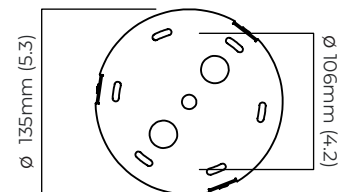
### CEILING ROSE / PLATE

round ceiling rose -  $\varnothing$  140 x 35 mm (dia x h)

### CERTIFICATION



mounting plate dimensions



\*Diagrams are not to scale.

SKU NUMBER	FINISH DESCRIPTION	TYPE OF DALI	VOLTAGE
MODPEHLBZSKMO-DALIB-240	bronze with smoked kiln cast glass and opal glass shades	DALI B included - The light will feature a deeper ceiling/wall rose. For use when there is no space in the existing ceiling/wall cavity	220 - 240V
MODPEHLSBSKMO-DALIB-240	satin brass with smoked kiln cast glass and opal glass shades	DALI B included - The light will feature a deeper ceiling/wall rose. For use when there is no space in the existing ceiling/wall cavity	220 - 240V