

CASCATA CHANDELIER CEILING MOUNTING PLATE

FINISH

satin brass finish with wavy kiln glass
 bronze finish with wavy kiln glass
 polished nickel finish with wavy kiln glass

DIMENSIONS (body of fixture)

ø 1450 x 640 mm (dia x h)

WEIGHT

40kg (88.2lbs)
 please ensure ceiling structure is strong enough to support the weight of the light

OVERALL DROP

minimum 850 mm
 maximum on request 5650 mm
 supplied with 2500 mm suspension cables

ILLUMINATION

220-240v - integrated LED - 50w - 2700k
 110-130v - integrated LED - 50w - 2700k
 LED driver to be installed in the cavity
 drivers must be installed up to 20 meters from the body of the light

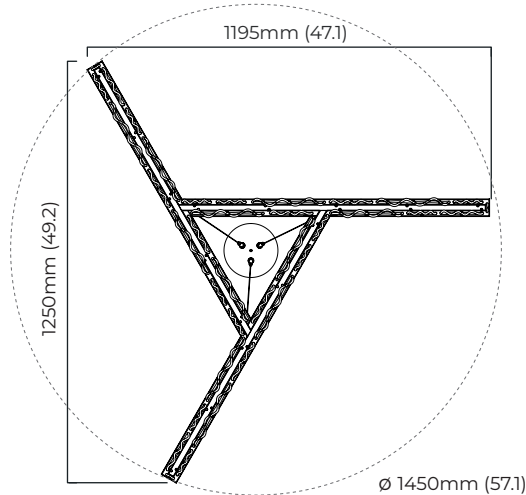
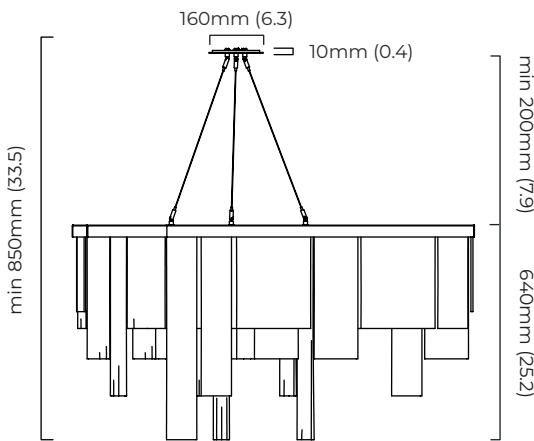
DIMMING

trailing dimmable / phase cut (rotary dimmer) - standard
 DALI option available (220-240v only)
 0/1-10v (220-240v) - on request

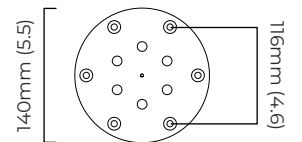
CEILING ROSE / PLATE

round ceiling plate - ø 160 x 10 mm (dia x h)

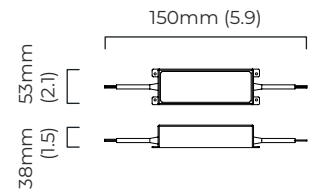
CERTIFICATION



mounting plate dimensions



LED driver dimensions



*Diagrams are not to scale.

| SKU NUMBER | FINISH DESCRIPTION | VOLTAGE |
|-------------------|---|----------|
| CASCHOBZWG-CM-240 | bronze finish with wavy kiln glass | 220-240V |
| CASCHOSBWG-CM-240 | satin brass finish with wavy kiln glass | 220-240V |
| CASCHOPNWG-CM-240 | polished nickel finish with wavy kiln glass | 220-240V |
| CASCHOBZWG-CM-110 | bronze finish with wavy kiln glass | 110-130V |
| CASCHOSBWG-CM-110 | satin brass finish with wavy kiln glass | 110-130V |
| CASCHOPNWG-CM-110 | polished nickel finish with wavy kiln glass | 110-130V |

CASCATA CHANDELIER CEILING ROSE

FINISH

satin brass finish with wavy kiln glass
 bronze finish with wavy kiln glass
 polished nickel finish with wavy kiln glass

DIMENSIONS (body of fixture)

ø 1450 x 640 mm (dia x h)

WEIGHT

40kg (88.2lbs)
 please ensure ceiling structure is strong enough to support the weight of the light

OVERALL DROP

minimum 880 mm
 maximum on request 5680 mm
 supplied with 2500 mm suspension cables

ILLUMINATION

220-240v - integrated LED - 50w - 2700k
 110-130v - integrated LED - 50w - 2700k
 LED driver to be installed in the ceiling rose

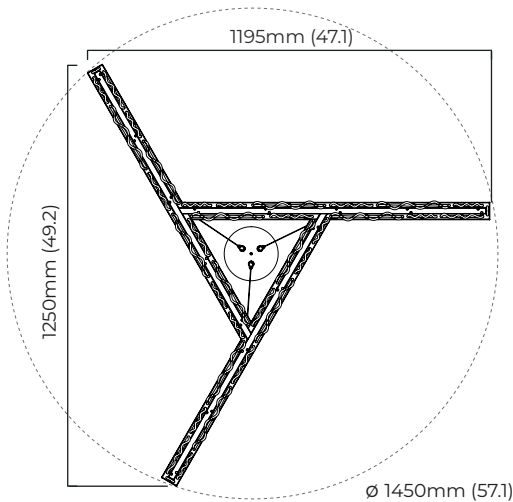
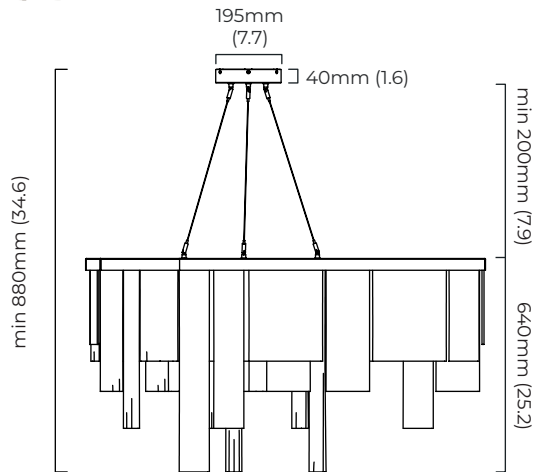
DIMMING

trailing dimmable / phase cut (rotary dimmer) - standard
 DALI option available (220-240v only)
 0/1-10v (220-240v) - on request

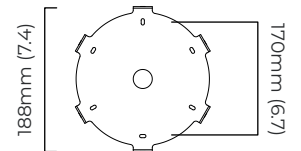
CEILING ROSE / PLATE

round ceiling rose - ø 195 x 40 mm (dia x h)

CERTIFICATION



mounting plate dimensions



*Diagrams are not to scale.

| SKU NUMBER | FINISH DESCRIPTION | VOLTAGE |
|-------------------|---|----------|
| CASCHOBZWG-CR-240 | bronze finish with wavy kiln glass | 220-240V |
| CASCHOSBWG-CR-240 | satin brass finish with wavy kiln glass | 220-240V |
| CASCHOPNWG-CR-240 | polished nickel finish with wavy kiln glass | 220-240V |
| CASCHOBZWG-CR-110 | bronze finish with wavy kiln glass | 110-130V |
| CASCHOSBWG-CR-110 | satin brass finish with wavy kiln glass | 110-130V |
| CASCHOPNWG-CR-110 | polished nickel finish with wavy kiln glass | 110-130V |

CASCATA CHANDELIER CEILING MOUNTING PLATE - DALI-A

FINISH

satin brass finish with wavy kiln glass
 bronze finish with wavy kiln glass
 polished nickel finish with wavy kiln glass

DIMENSIONS (body of fixture)

ø 1450 x 640 mm (dia x h)

WEIGHT

40kg (88.2lbs)
 please ensure ceiling structure is strong enough to support the weight of the light

OVERALL DROP

minimum 840 mm
 maximum on request 5640 mm
 supplied with 2500 mm suspension cables

ILLUMINATION

220-240v - integrated LED - 50w - 2700k
 DALI LED driver to be installed in the cavity
 drivers must be installed up to 20 meters from the body of the light

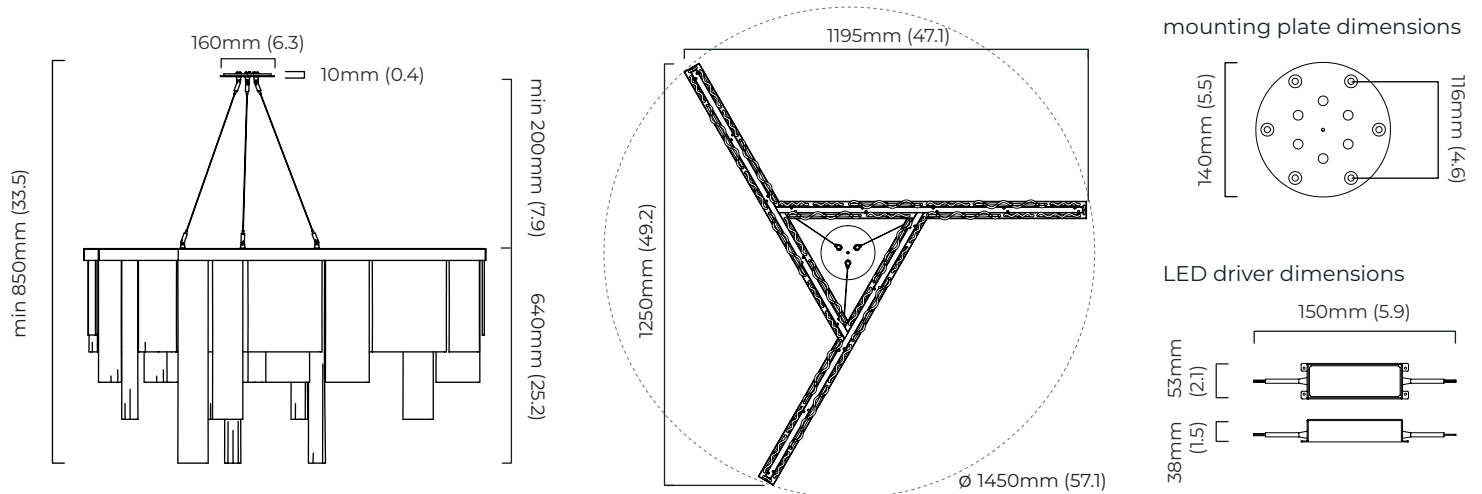
DIMMING

DALI compatible

CEILING ROSE / PLATE

round ceiling plate - ø 160 x 10 mm (dia x h)

CERTIFICATION



*Diagrams are not to scale.

| SKU NUMBER | FINISH DESCRIPTION | TYPE OF DALI | VOLTAGE |
|-------------------------|---|---|----------|
| CASCHOBZWG-CM-DALIA-240 | bronze finish with wavy kiln glass | DALI A included - For lights that do not require aesthetic alterations. Dali can be fitted inside the ceiling/wall cavity | 220-240V |
| CASCHOSBWG-CM-DALIA-240 | satin brass finish with wavy kiln glass | DALI A included - For lights that do not require aesthetic alterations. Dali can be fitted inside the ceiling/wall cavity | 220-240V |
| CASCHOPNWG-CM-DALIA-240 | polished nickel finish with wavy kiln glass | DALI A included - For lights that do not require aesthetic alterations. Dali can be fitted inside the ceiling/wall cavity | 220-240V |

CASCATA CHANDELIER CEILING ROSE - DALI-A

FINISH

satin brass finish with wavy kiln glass
bronze finish with wavy kiln glass
polished nickel finish with wavy kiln glass

DIMENSIONS (body of fixture)

∅ 1450 x 640 mm (dia x h)

WEIGHT

40kg (88.2lbs)
please ensure ceiling structure is strong enough to support the weight of the light

OVERALL DROP

minimum 880 mm
maximum on request 5680 mm
supplied with 2500 mm suspension cables

ILLUMINATION

220-240v - integrated LED - 50w - 2700k
DALI LED driver to be installed in the ceiling rose

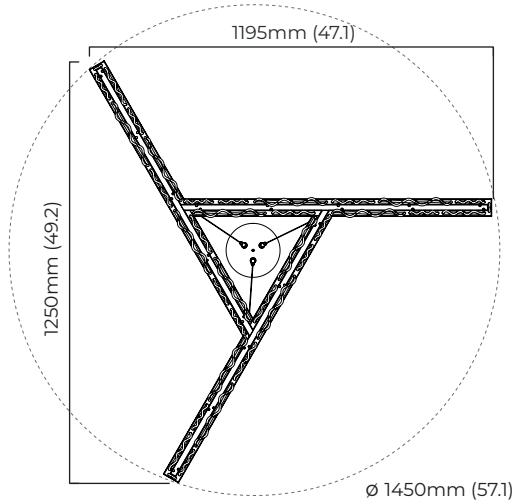
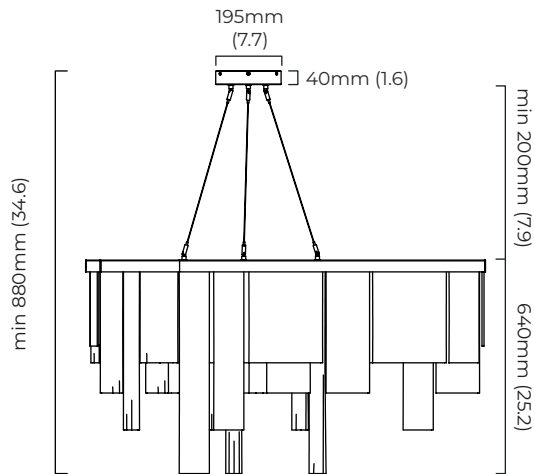
DIMMING

DALI compatible

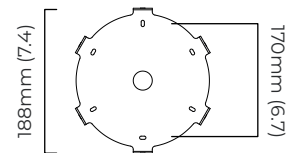
CEILING ROSE / PLATE

round ceiling rose - ∅ 195 x 40 mm (dia x h)

CERTIFICATION



mounting plate dimensions



*Diagrams are not to scale.

| SKU NUMBER | FINISH DESCRIPTION | TYPE OF DALI | VOLTAGE |
|-------------------------|---|---|----------|
| CASCHOBZWG-CR-DALIA-240 | bronze finish with wavy kiln glass | DALI A included - For lights that do not require aesthetic alterations. Dali can be fitted inside the existant ceiling rose | 220-240V |
| CASCHOSBWG-CR-DALIA-240 | satin brass finish with wavy kiln glass | DALI A included - For lights that do not require aesthetic alterations. Dali can be fitted inside the existant ceiling rose | 220-240V |
| CASCHOPNWG-CR-DALIA-240 | polished nickel finish with wavy kiln glass | DALI A included - For lights that do not require aesthetic alterations. Dali can be fitted inside the existant ceiling rose | 220-240V |