



STORM MEDIUM AIR IN

DATA

Collection	STORM SYSTEM®
Product	Storm Medium Air In
Article no.	1A01.0620.xx

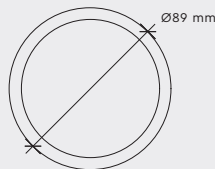
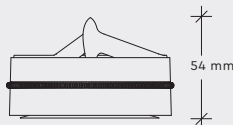
SPECIFICATIONS

Weight	350 g
Material	Aluminium
IP protection grade	IP20
Fixture finish	For xx-codes review STORM SYSTEM® – COLOUR CODES ➤

STORM SYSTEM®

The Storm Medium Air In is part of the STORM SYSTEM® MEDIUM collection. A collection that includes a wide range of special designed products. The STORM SYSTEM® collection is carefully designed to flush the surface of any ceiling or wall, and all products will appear with an absolute minimum of tolerance and visibility.

Storm Medium Air In is designed to provide a continuous supply of fresh air. Change the position of the front cover to define the amount of air flow



GUIDELINES FOR STORM AIR IN AND STORM AIR OUT IN PRIVATE RESIDENCES WITH A PRESSURE LOSS OF APPROX. 10 PA.

When the valve is in a 5mm open position, one Storm Air In fixture is needed per 25m² warmed-up living space. (Reference: Danish BR15 requirement)

To achieve an optimal indoor climate, at least one air supply fixture is needed for every person that is expected to reside in the room.

Also, one Storm Air Out is recommended per every two Storm Air In (rounded up).

The Storm Air In has to be positioned, so that there are no obstructions (ie. a smoke detector) within a radius of 60cm

The Storm Air In/Out fixtures must be positioned with a mutual distance of at least 120cm

In regard to installation, a plenum box fx. Lindab MBB 100-100-S, should be used for every Storm Air In fixture. This will reduce noise and optimize the airflow.

Subsequent adjustment is required to be performed by ventilation specialist only.

NOTE! The description above is only a suggestive guideline for private homes. For specific calculations of the actual project, it is recommended to consult a ventilation engineer



IMPORTANT INFORMATION

Installation and mounting must be performed by skilled personnel only, and instructions must be followed.

CLEANING AND MAINTENANCE:

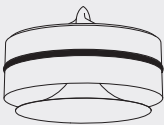
Use a soft moist cloth for cleaning. No further maintenance is required.

WARRANTY:

If the product is defect, please contact your supplier immediately. Please note that warranty will not apply in case of wrongful use or if unskilled personnel attempts to repair.

COMPONENTS

- Storm Medium Air In



PLEASE NOTE:

If the spring on the fixture is damaged, do not proceed installation – contact your dealer!

STORM MEDIUM AIR IN

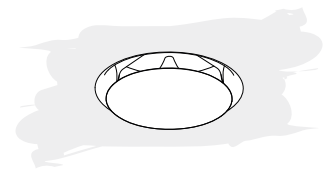
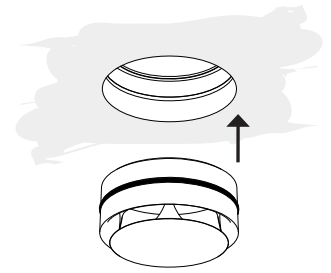
ASSEMBLY INSTRUCTION

PLEASE NOTE: see your chosen installation ring's assembly guide for the correct installation of the ventilation duct.

STEP 1

Mount the fixture into the plaster ring or back-mounted adaptor. Do this by slightly rotating the fixture into the plaster ring.

NOTE: When rotating the fixture choose the direction with the least resistance.



IMPORTANT INFORMATION

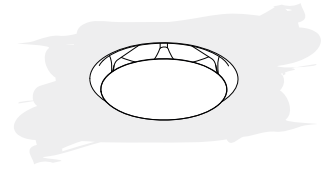
Disassembly must be performed by skilled personnel only, and instructions must be followed.

WARRANTY:

If the product is defect, please contact your supplier immediately. Please note that warranty will not apply in case of wrongful use or if unskilled personnel attempts to repair.

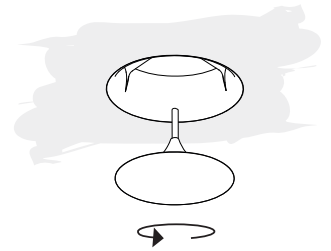
STORM MEDIUM AIR IN

DISASSEMBLY INSTRUCTION



STEP 1

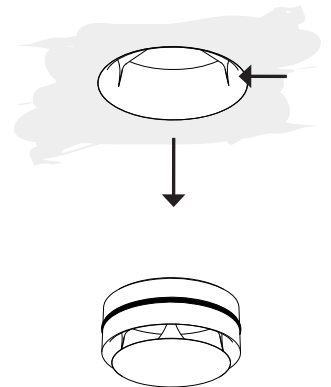
Unscrew the front cover.



STEP 2

Take hold of the fixture, then pull down gently, whilst slightly rotating.

NOTE: When rotating the fixture choose the direction with the least resistance.

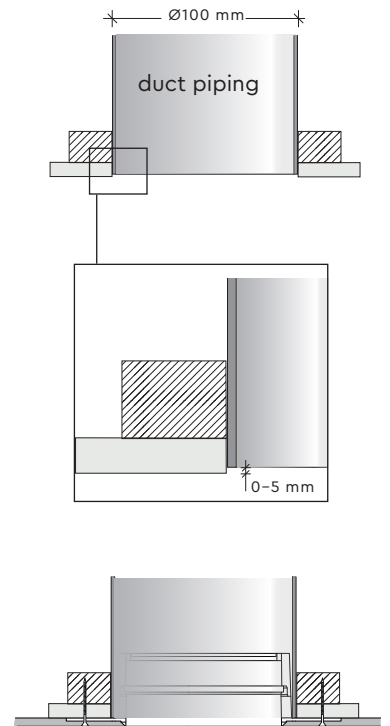


DUCT PIPE INSTALLATION FOR STORM AIR IN + AIR OUT

ASSEMBLY INSTRUCTION FOR PLASTER RING

Storm Medium Air In/Out is compatible with $\varnothing 100\text{mm}$ duct piping.

Make sure the ventilation ducts is positioned correctly. Then mount the Storm Plaster Ring according to the installation guide.



ASSEMBLY INSTRUCTION FOR BACK-MOUNTED RING

Storm Medium Air In/Out is compatible with $\varnothing 100\text{mm}$ duct piping.

Make sure to center the duct piping over the hole for the back-mounted ring.

Make sure the ventilation duct is positioned correctly. Then mount the Back-Mounted Ring and Back-Mounted Adaptor according to their installation guides.

