



STORM MEDIUM AIR IN datasheet



Project: Private Residence | Lighting design: ONE A

The STORM SYSTEM® collection is carefully designed to flush the surface of any ceiling or wall, and all products will appear with an absolute minimum of tolerance and visibility.

Storm Medium Air In is designed to provide a continuous supply of fresh air. Change the position of the front cover to define the amount of air flow

GENERAL DATA

Collection

STORM SYSTEM®

Product

Storm Medium Air In

Article no.

1A01.0620.xx

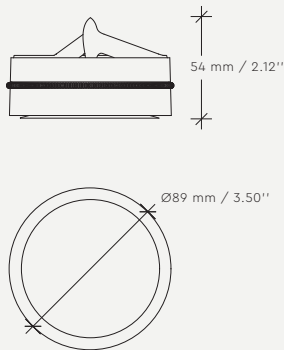
SPECIFICATIONS

Weight

350 g / 12.3 oz

Material

Aluminum



ADDITIONAL REQUIREMENTS: (not included)

Installation rings – choose one of the installation rings below

- Storm Medium Plaster Ring – 1A01.0001.01
- Storm Medium Acoustic Adaptor – 1A01.0091.00
- Storm Medium Back-Mounted Ring – 1A01.0048.xx
- Storm Medium Back 007 Ring – 1A01.0047.04
- Storm Medium Concrete AIR BMR – 1A01.0060.xx

XX-COLOUR CODES

- 01 – White
- 92 – Black Pearl

Guidelines for Storm air in and storm air out in private residences with a pressure loss of approx. 10 pa.

When the valve is in a 5mm open position, one Storm Air In fixture is needed per 25m² warmed-up living space. (Reference: Danish BR15 requirement)

The Storm Air In has to be positioned, so that there are no obstructions (ie. a smoke detector) within a radius of 60cm / 1.97 ft

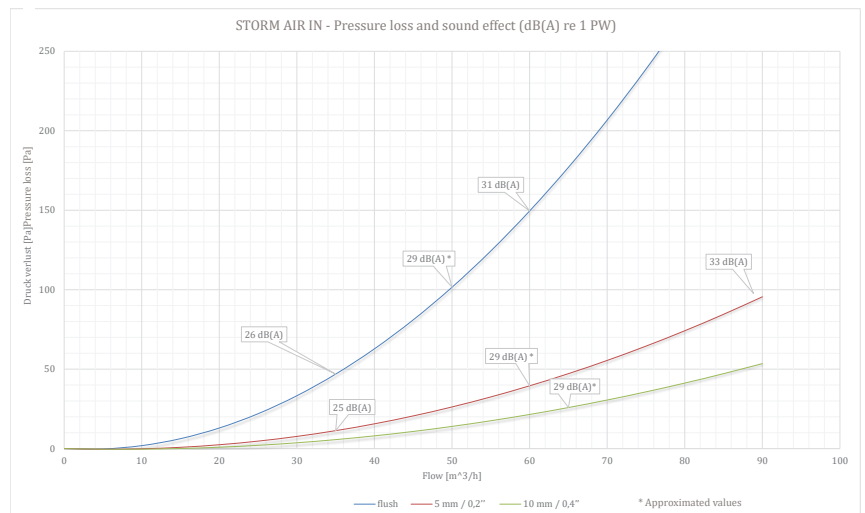
The Storm Air In/Out fixtures must be positioned with a mutual distance of at least 120cm / 3.94 ft

In regard to installation, a plenum box fx. Lindab MBB 100-100-S, should be used for every Storm Air In fixture. This will reduce noise and optimize the airflow.

There are various suppliers of plenum boxes on the market. Check with your project ventilation supplier. Please keep in mind the outlet must be $\varnothing 100 \text{ mm} / \varnothing 3.94''$ to match Storm Medium Air In / Air Out

Subsequent adjustment is required to be performed by ventilation specialist only.

NOTE! The description above is only a suggestive guideline for private homes. For specific calculations of the actual project, it is recommended to consult a ventilation engineer





components

- Storm Medium Air In

PLEASE NOTE:

If the spring on the fixture is damaged, do not proceed installation – contact your dealer

IMPORTANT INFORMATION

Installation and mounting must be performed by a qualified personnel only, and instructions must be followed. Always make sure the main power is off during installation.

CLEANING AND MAINTENANCE:

Vacuum cleaning is recommended once a week

WARRANTY:

If the product is defect, please contact your supplier immediately. Please note that warranty will not apply in case of wrongful use or if unskilled personnel attempts to repair.



The crossed-out wheeled bin symbol indicates that the item should be disposed of separately from household waste. The item should be handed in for recycling in accordance with local environmental regulations for waste disposal

For more information, please contact info@onea.dk

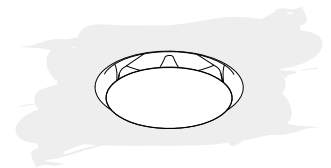
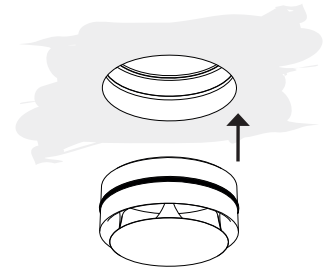
ASSEMBLY INSTRUCTION

PLEASE NOTE: see your chosen installation ring's assembly guide for the correct installation of the ventilation duct.

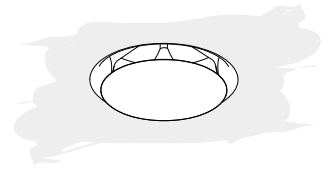
STEP 1

Mount the fixture into the installation ring. Do this by slightly rotating the fixture into the installation ring.

NOTE: When rotating the fixture choose the direction with the least resistance.

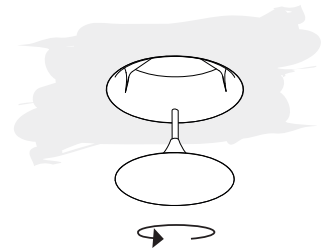


DISASSEMBLY INSTRUCTION



STEP 1

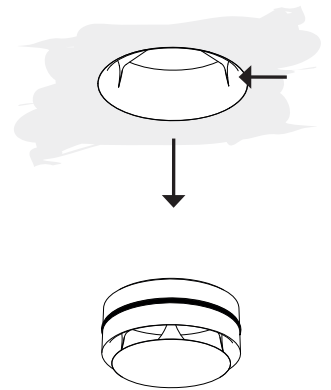
Unscrew the front cover.



STEP 2

Take hold of the fixture, then pull down gently, whilst slightly rotating.

NOTE: When rotating the fixture choose the direction with the least resistance.



IMPORTANT INFORMATION

Installation and mounting must be performed by a qualified personnel only, and instructions must be followed. Always make sure the main power is off during installation.

CLEANING AND MAINTENANCE:

Vacuum cleaning is recommended once a week

WARRANTY:

If the product is defect, please contact your supplier immediately. Please note that warranty will not apply in case of wrongful use or if unskilled personnel attempts to repair.



The crossed-out wheeled bin symbol indicates that the item should be disposed of separately from household waste. The item should be handed in for recycling in accordance with local environmental regulations for waste disposal

For more information, please contact info@onea.dk

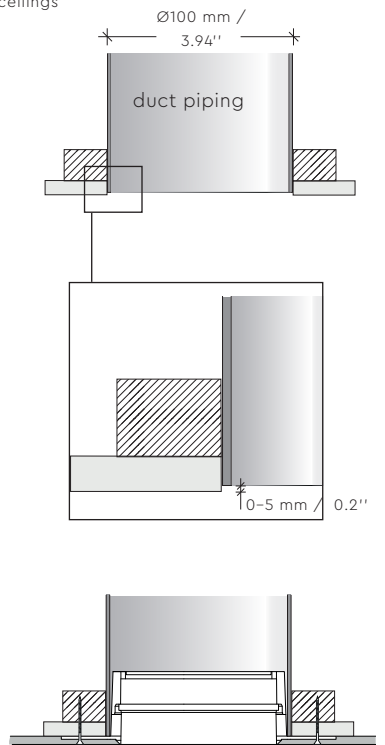
ASSEMBLY INSTRUCTION

For Plaster Ring 1A01.0001.01 | 1A01.0091.01*

* check installation of piping with the installer of acoustic ceilings

Storm Medium Air In/Out is compatible with $\text{\O}100\text{mm}$ / 3.94" duct piping.

Make sure the ventilation ducts is positioned correctly. Then mount the Storm Plaster Ring according to the installation guide.



IMPORTANT INFORMATION

Installation and mounting must be performed by a certified electrician only, and instructions must be followed. Always make sure the main power is off during installation. Pay attention to the fixture remarks, and always make sure to use the correct voltage.

CLEANING AND MAINTENANCE:

Use a soft moist cloth for cleaning. No further maintenance is required.

WARRANTY:

If the product is defect, please contact your supplier immediately. Please note that warranty will not apply in case of wrongful use or if unskilled personnel attempts to repair.



The crossed-out wheeled bin symbol indicates that the item should be disposed of separately from household waste. The item should be handed in for recycling in accordance with local environmental regulations for waste disposal

For more information, please contact info@onea.dk

ASSEMBLY INSTRUCTION

For Back-Mounted Ring 1A01.0047.04 | 1A01.0048.xx | 1A01.0060.xx

Storm Medium Air In/Out is compatible with $\text{\O}100\text{mm}$ / 3.94" duct piping.

Make sure to center the duct piping over the hole for the back-mounted ring.

Make sure the ventilation duct is positioned correctly. Then mount the Back-Mounted Ring and Back-Mounted Adaptor according to their installation guides.

